

CN-A24 SERIES

Instruction Manual

BEFORE USING THE POWER SUPPLY UNIT

Be sure to read this instruction manual thoroughly before using this product. Pay attention to all cautions and warnings before using this product. Incorrect usage could lead to an electrical shock, damage to the unit or a fire hazard.

DANGER

- Never use this product in locations where flammable gas or ignitable substances are present.

WARNING

- Do not touch this product or its internal components while it is in operation, or within 5 seconds of shut down. There may be high voltage or high temperature present and you may receive an electric shock or burn.
- When the product is operating, keep your hands and face away from it as you may be injured by flying debris in the event of a fault.
- Do not make unauthorized changes to this product, otherwise you may receive an electric shock and void your warranty.
- Do not use this product in the event of the emission of smoke or abnormal smell and sound etc. It might lead to fire and/or electric shock. In such cases, please contact us. Do not attempt repair by yourself, as it is dangerous for the user.
- Do not operate these products in the presence of condensation. It might lead to fire and/or electric shock.
- Do not drop or insert anything into the product. It might lead to a failure, fire and/or electric shock.

CAUTION

- This power supply is designed for use within an end product such that it is accessible to SERVICE ENGINEERS only.
- Confirm connections to input/output terminals and signal terminals are correct as indicated in the instruction manual before switching on.
- Input voltage, Output current, Output power, ambient temperature and ambient humidity should be kept within specifications, otherwise the product will be damaged.
- Do not operate and store this product in an environment where condensation might occur. In such case, waterproof treatment is necessary.
- Never operate the unit under over current or shorted conditions for 30 seconds or more and out of Input Voltage Range as specification. Insulation failure, smoking, burning or other damage might occur to the unit.
- Do not use this product in environment with a strong electromagnetic field, corrosive gas or conductive substances.
- For applications which require very high reliability (Nuclear related equipment, traffic control equipment, etc.), it is necessary to provide a fail safe mechanism in the end equipment.
- The information in this document is subject to change without prior notice. Please refer to the latest version of the data sheet, etc., for the most up-to date specifications of the product.
- No part of this document may be copied or reproduced in any form without prior written consent of TDK-Lambda.
- Do not inject abnormal voltages into the output or signal of this product. The injection of reverse voltage or over voltage exceeding nominal output voltage into the output or signal terminals might cause damage to internal components.
- Operation of this product under over-current or short circuit conditions can result in damage. Failures of the product under these conditions have been assessed and are considered to be safe within the meaning of IEC/EN/UL/CSA 60950-1.
- This product contains a printed circuit board utilizing surface mounted devices. PCB stress such as bending, twisting etc could cause damage. Therefore, please handle with care.
- In order to maintain SELV output, the base-plate must be protectively earthed in the end application. Where the base-plate is not earthed, the output must be considered hazardous and must not be made user accessible.
- The output of this product may, under fault conditions, exceed SELV voltage limits. Therefore the output must be earthed in the end equipment to maintain SELV. If the output is not earthed, they must be considered hazardous and must not be made user accessible.
- For input terminal of this product, connect DC input source with reinforced insulation or double insulation.
- The application circuits and their parameters are for reference only. Be sure to verify effectiveness of these circuits and their parameters before finalizing the circuit design.
- Use an HBC external fuse to each module to ensure safe operation and compliance with the Safety Standards to which it is approved.

Table of Contents

■ Block Diagram

■ Sequence Time Chart

■ Terminal Explanation

■ Explanations on Specifications

1. **Input Voltage Range**
2. **Output Voltage Adjustment Range**
3. **Maximum Output Ripple and Noise**
4. **Maximum Line Regulation**
5. **Maximum Load Regulation**
6. **Base-plate Temperature vs. Output Voltage Drift**
7. **Over Current Protection (OCP)**
8. **Over Voltage Protection (OVP)**
9. **Over Temperature Protection (OTP)**
10. **Remote Sensing (+S, -S terminal)**
11. **ON/OFF Control (CNT terminal)**
12. **Redundant Operation**
13. **Parallel Operation**
14. **Series Operation**
15. **Operating Ambient Temperature**
16. **Operating Ambient Humidity**
17. **Storage Ambient Temperature**
18. **Storage Ambient Humidity**
19. **Cooling Method**
20. **Withstand Voltage**
21. **Isolation Resistance**
22. **Vibration**
23. **Shock**

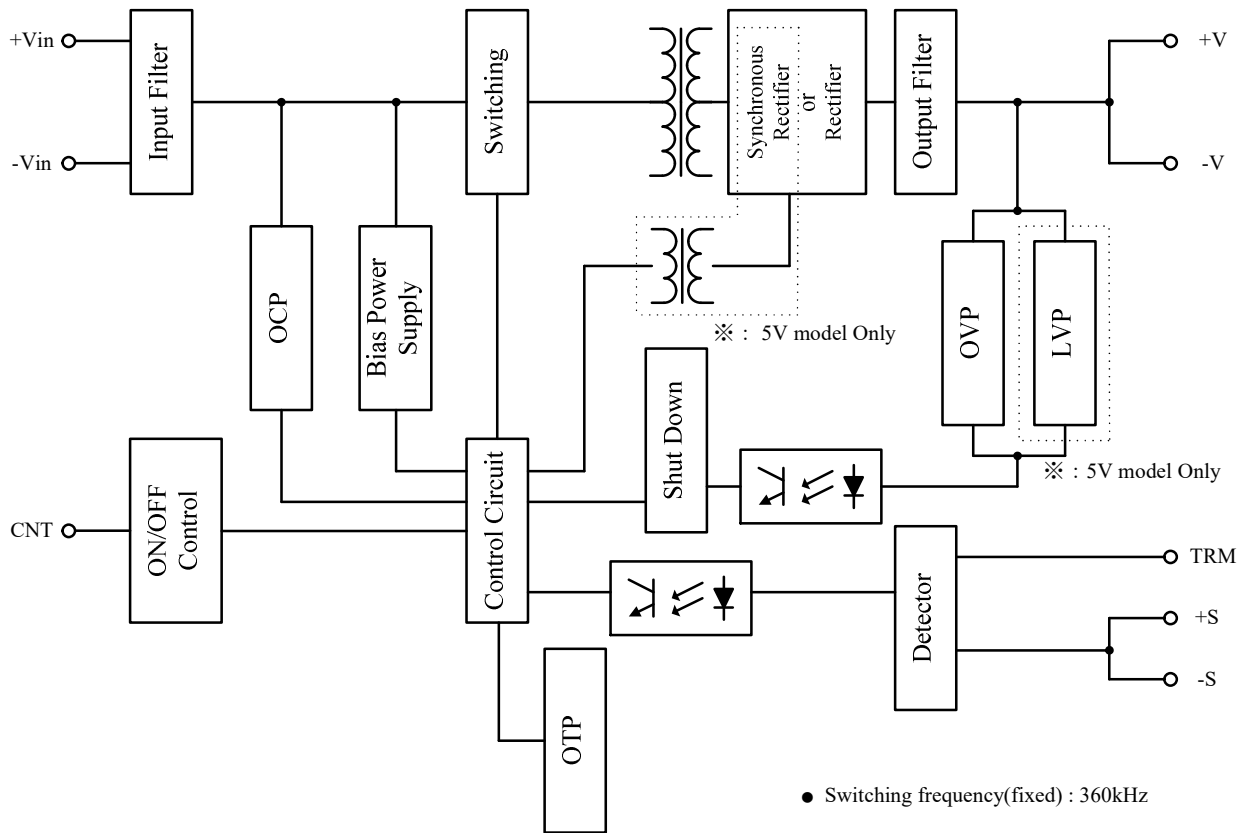
■ Installation

1. **Mounting Method**
2. **Heatsink Installation Method**
3. **Regarding Vibration**
4. **Recommended Soldering Condition**
5. **Recommended Cleaning Condition**

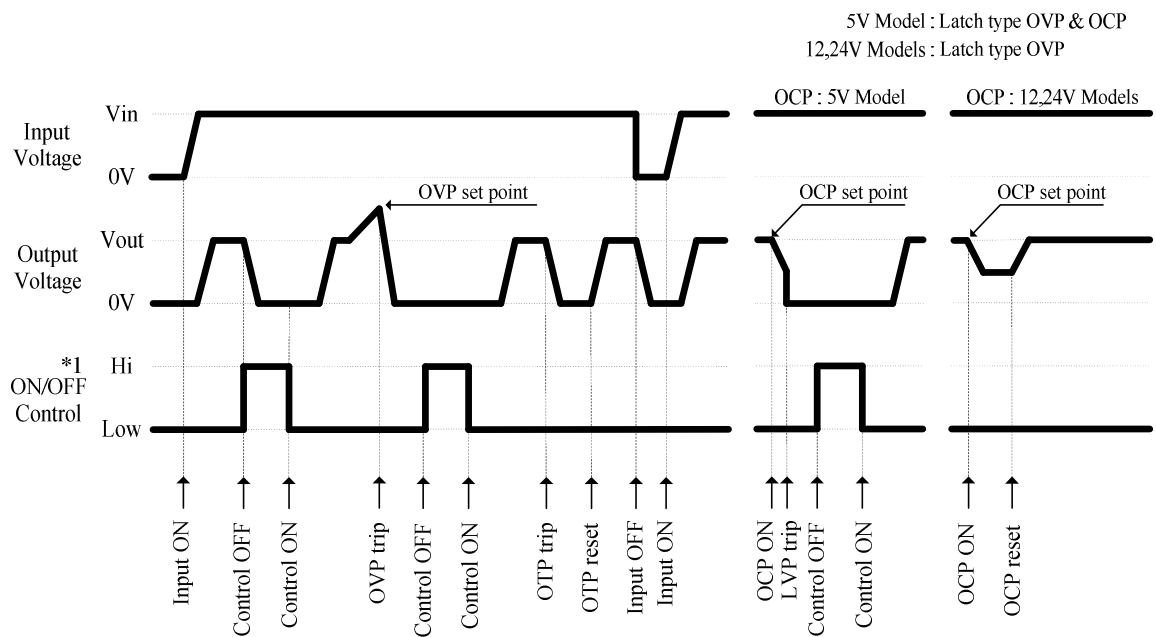
■ Before concluding power module damage

■ Option Heatsink

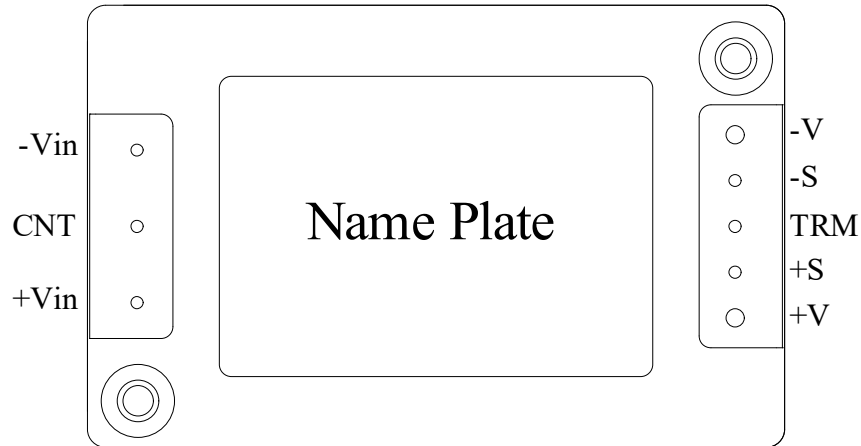
Block Diagram



Sequence Time Chart



■ Terminal Explanation



[Input Side Terminals]

-Vin : -Input Terminal
CNT : ON/OFF Control Terminal
+Vin : +Input Terminal

[Output Side Terminals]

-V : -Output Terminal
-S : -Remote Sensing Terminal
TRM : Output Voltage Trimming Terminal
+S : +Remote Sensing Terminal
+V : +Output Terminal

Base-plate can be connected to FG (frame ground) by M3 threaded holes.
Connect +Vin, -Vin, +V, -V with consideration of contacting resistance.

■ Explanations on Specifications

1. Input Voltage Range

Input voltage range for CN100A24 Series is indicated below.

Input Voltage Range : 14.4 - 36VDC

Ripple voltage (V_{rpl}) which results from rectification and filtering of commercial AC line is might be included within the input voltage as shown in Fig. 1-1. In this case, ripple voltage must be limited within the voltage described below.

Allowable Input Ripple Voltage : 2Vp-p

When this value is exceeded, the output ripple voltage becomes large.

Take note that sudden input voltage change might be cause variation of output voltage transitionally.

Also, input voltage waveform peak value must not exceed above input voltage range.

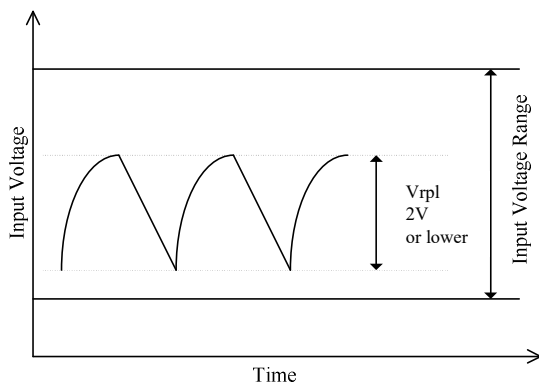


Fig.1-1 Input Ripple Voltage

Basic Connection

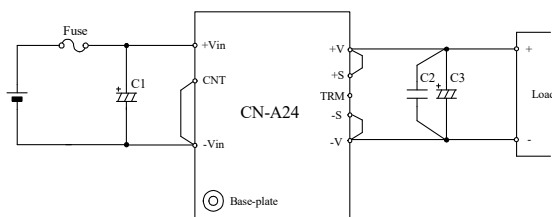


Fig.1-2 Basic Connection

Input Fuse

This power module has no built-in fuse. Use external fuse to acquire various Safety Standards and to improve safety.

Also, use fast-blow type or normal-blow type for every module.

Furthermore, fuse must be connected to the +Vin side if -Vin side is used as ground, or fuse must be connected to -Vin side if +Vin side is used as a ground.

Input Fuse Recommended Current Rating :

CN100A24 : 15A

CN50A24 : 8A

C1 :

To prevent the effect of input line inductance to the power module, connect electrolytic capacitor between +Vin and -Vin terminals.

Furthermore, use electrolytic capacitor with low ESR value. Especially take note that during line turn off at low ambient temperature, power module output will not normally shut down.

**Recommended Capacitor Value : 470 μ F and above
(Voltage Rating 50V and above)**

Notes

1. Use low impedance electrolytic capacitor with excellent temperature characteristics.
(Nippon Chemi-con LXY Series or equivalent)
2. Use more than two recommended capacitor above in parallel when ambient temperature becomes lower than -20°C to reduce ESR.
3. When input line inductance becomes excessively high due to insertion of choke coil, operation of the power module could become unstable. For this case, increase C1 value more than the value indicated above.

C2 : 2.2 μ F

To reduce spike noise voltage at the output, connect 2.2 μ F ceramic capacitor between +V and -V at 50mm distance from the output terminals.

Take note that, PCB wiring design might influence output spike noise.

C3 :

For stable operation, connect a electrolytic capacitor between +V and -V at 50mm distance from the output terminals.

Take note that output ripple could be affected by electrolytic capacitor, equivalent impedance and inductance characteristics of wiring.

For cases of abrupt changes in load current or input voltage, increasing capacitance value of the external capacitors could reduce the voltage fluctuation.

Model and C3 recommended values of external output capacitor are below.

5V	25V , 1000 μ F
12V	25V , 470 μ F
24V	50V , 220 μ F

Table1-1 C3 Recommended Values of External Output Capacitor

Maximum capacitance (electrolytic capacitor) that can be connected between +V and -V, is described below.

Maximum capacitance of output capacitor
ALL MODELS : 10,000 μ F

Notes

1. Use low impedance electrolytic capacitor with excellent temperature characteristics. (Nippon Chemi-con LXY Series or equivalent)
2. Use more than two recommended capacitor above in parallel when ambient temperature becomes lower than -20°C to reduce ESR.
3. Take note of the allowable ripple current of the capacitor to be used. Especially, when load adding capacitors for abrupt current changes, be sure to verify that ripple current does not exceed allowable ripple current before use.

Reverse Input Connection

Reverse input polarity would cause module damage. For cases where reverse connections are possible, connect a protective diode and fuse. Use protective diode with higher voltage rating than the input voltage, and with higher surge current rating than the fuse current rating.

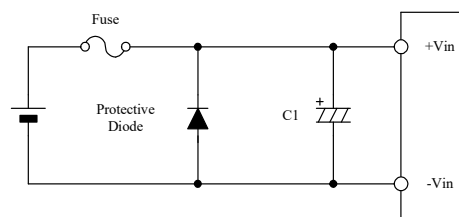


Fig.1-3 Protection for Reversed Connection of Input

2. Output Voltage Adjustment Range

Output voltage could be adjusted within the range described below by external resistor, variable resistor or applying external voltage.

However, take note that OVP or Low Voltage Protection (LVP: 5V Model only) might trigger when output voltage adjustment exceeds the ranges indicated below.

Output Voltage Adjustment Range

- 5V :**
-10% - +20% of Nominal Output Voltage
- 12V,24V:**
-10% - +10% of Nominal Output Voltage

When increasing the output voltage, reduce the output current accordingly so as not to exceed the maximum output power.

Take note that when output voltage is decreased, maximum output current is until rated maximum output current of specification.

Remote sensing is possible even when output voltage is varied. For details on remote sensing function, please refer to “10.Remote Sensing”.

Output Voltage Adjustment by External Resistor or Variable Resistor

(1) In case of adjusting output voltage lower

(1-1) Allowable maximum output current = rated maximum output current of specification.

(1-2) Connect an external resistor $R_{adj(down)}$ between the TRM terminal and -S terminal.

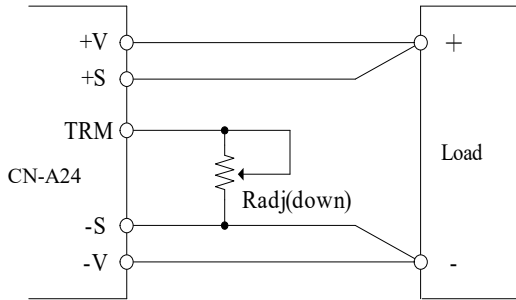


Fig.2-1 Connection for Output Voltage Trim Down

(2) In case of adjusting output voltage higher

(2-1) Allowable maximum output current = maximum output power ÷ adjusting output voltage.

(Becomes less than maximum output current of specification.)

(2-2) Connect an external resistor $R_{adj(up)}$ between TRM terminal and +S terminal.

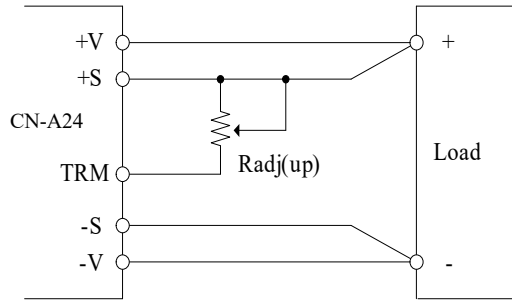


Fig.2-3 Connection for Output Voltage Trim Up

(1-3) Equation of external resistor and output voltage

$$R_{adj(down)} = \left(\frac{100(\%)}{\Delta(\%)} - 2 \right) [k\Omega]$$

$R_{adj(down)}$: External adjustment resistor

$\Delta(\%)$: Output voltage change rate against nominal output voltage

ex) When setting 5V Model to 4.5V output, $\Delta(\%)$ should be set at 10%.

Below graph is relation $\Delta(\%)$ and value of external resistor.

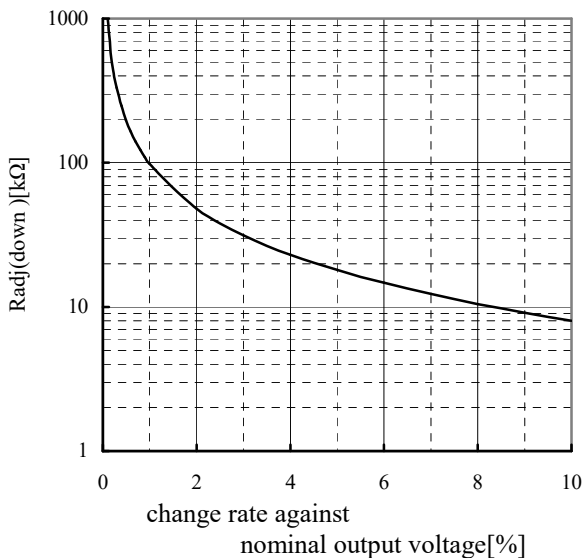


Fig.2-2 $\Delta(\%)$ vs. $R_{adj(down)}$

(2-3) Equation of external resistor and output voltage

$$R_{adj(up)} = \left(\frac{V_o(100(\%)+\Delta(\%))}{1.225 \times \Delta(\%)} - \frac{100(\%)}{\Delta(\%)} - 2 \right) [k\Omega]$$

V_o : Nominal output voltage

$R_{adj(up)}$: External adjustment resistor

$\Delta(\%)$: Output voltage change rate against nominal output voltage

ex) When setting 5V Model to 5.5V output, $\Delta(\%)$ should be set at 10%.

Below graph is relation $\Delta(\%)$ and value of external resistor.

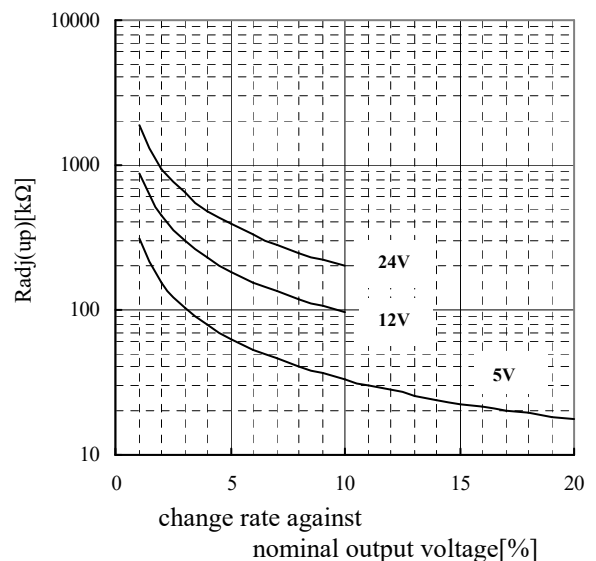


Fig.2-4 $\Delta(\%)$ vs. $R_{adj(up)}$

(3) To adjust output voltage for whole range

Resistor values, as well as, connecting methods for external resistor (R1) and external variable resistor(VR) are described below.

	5V	12V	24V
R1	5.6k	5.6k	5.6k
VR	2k	5k	10k

unit:[Ω]

External resistor : ±5% Tolerance
External variable resistor : ±20% Tolerance
with end resistance below 1%

Table 2-1 Values of External Resistor and Variable Resistor

$V_o : -10\% - +20\%(5V)$
 $V_o : -10\% - +10\%(12V,24V)$

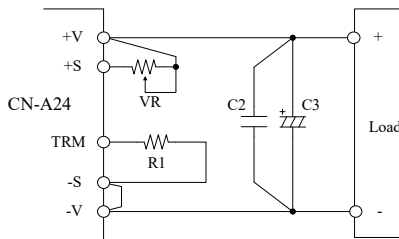


Fig.2-5 Example of Connecting External Resistor

Output Voltage Adjustment by applying external voltage

By applying external voltage at the TRM terminal, output voltage can be adjusted within the same output voltage adjustment range as the output voltage adjustment by external resistor or variable resistor. In this case, output voltage can be calculated by the formula described below.

$$\text{Output Voltage} = \frac{\text{Nominal Output Voltage} \times (\text{TRM Terminal Voltage} + 1.225)}{2.45}$$

$$\text{TRM Terminal Voltage} = 2.45 \times \frac{\text{Output Voltage}}{\text{Nominal Output Voltage}} - 1.225$$

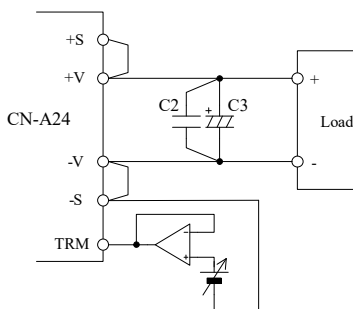


Fig.2-6 Example of applying external voltage

Note :

Please connect the amplifier so as not to interfere in internal impedance of the trim circuit when you apply the external voltage.

For applications other than the above, refer to the TRM circuit as shown in fig.2-7 and determine external circuit and components values.

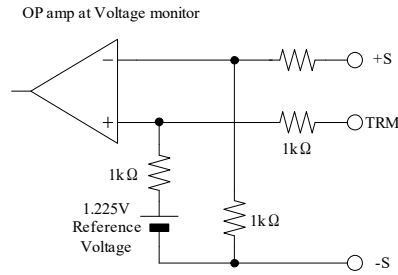


Fig.2-7 Internal TRM Circuit (For the Reference)

3. Maximum Output Ripple and Noise

Measured value according to the specified methods based on JEITA-9141 (Clause 7.12 and clause 7.13) which is described in the following.

Connect according to fig.3-1 and measure. Connect capacitors (C2 : ceramic capacitor , C3 : electrolytic capacitor) at 50mm distance from the output terminals. Measure at ceramic capacitor (C2) terminals as shown in fig. 3-1 using coaxial cable with JEITA attachment. Use oscilloscope with 100MHz frequency bandwidth or equivalent.

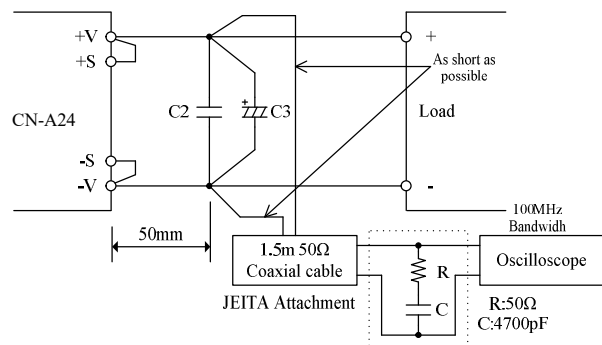


Fig.3-1 Measurement of Maximum Output Ripple and Noise

Take note that, PCB wiring design might influence output spike noise.

Generally, increasing capacitance value of external capacitor can reduce output ripple voltage and output spike noise.

4. Maximum Line Regulation

Maximum value of output voltage change when input voltage is gradually varied (steady state) within specified input voltage range.

5. Maximum Load Regulation

Maximum value of output voltage change when output current is gradually varied (steady state) within specified output current range.

When using at dynamic load mode, audible noise could be heard from the power module and output voltage fluctuation might increase. A thorough pre-evaluation must be performed before using this power module.

6. Base-plate Temperature vs. Output Voltage Drift

Output voltage drift is defined as the rate of voltage change when only base-plate temperature is changed during operation.

7. Over Current Protection (OCP)

This power module has built-in OCP function.

When output current is in overload conditions, output voltage is reduced. Output will recover when short circuit or overload conditions are released. OCP setting value is fixed and therefore, cannot be externally adjusted.

Take note that power module might be damaged at continuous output short circuit or over load conditions depending on thermal conditions.

For 5V Model Only

Take note, when output voltage is reduced below the minimum output voltage setting of the adjustment range due to output short circuit or over load conditions, output might be shut down by low voltage protection

(LVP). Output can be recovered by i) manual reset of the CNT terminal, or ii) by turning input line off and then turning it on again after the input voltage drop under the value described below.

5V Model

OCP(shut down) release input voltage value
: 10VDC or lower

8. Over Voltage Protection (OVP)

This power module has built-in OVP function.

OVP set point is relative to the rated output voltage value. When output voltage exceed OVP set point, output voltage shut down. OVP setting value is fixed and therefore, cannot be externally adjusted.

When OVP is triggered, output can be recovered by i) manual reset of the CNT terminal, or ii) by turning input line off and then turning it on again after the input voltage drop under the value described below.

OVP reset input voltage value : 10VDC and below

Verifying OVP function shall be done by increasing output voltage with external resistor. For verifying OVP function, avoid applying external voltage to output terminal because this will cause power module damage.

9. Over Temperature Protection (OTP)

This power module has built-in OTP function. This function operates and shuts down the output when ambient temperature or internal temperature of power module abnormally rises. OTP operates at 105°C to 120°C base-plate temperature.

OTP can be released when base-plate temperature drops down approximately to within 80°C to 95°C. However, take note that OTP will operate again unless the cause of abnormal heat of the power module is eliminated.

10. Remote Sensing (+S, -S terminal)

Remote sensing terminal is provided to compensate for voltage drop across the wirings from the power module output terminal to the load input terminal.

When remote sensing function is not used (local sensing), short +S terminal to +V terminal and, -S terminal to -V terminal.

When using remote sensing function, output power of power module should be within maximum output power. Also, use within maximum output adjustable voltage at output terminal.

When wire is long, Power Supply operation might be unstable due to noise. Moreover, please do enough prior evaluation for remote sensing function by using shielded wire, twist pair, or parallel pattern.

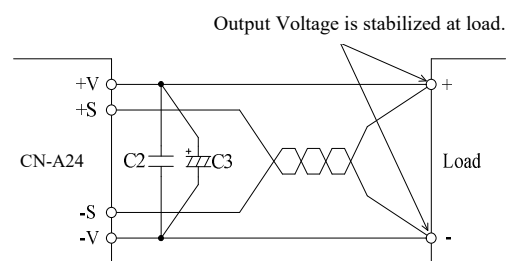


Fig.10-1 Remote Sensing is used

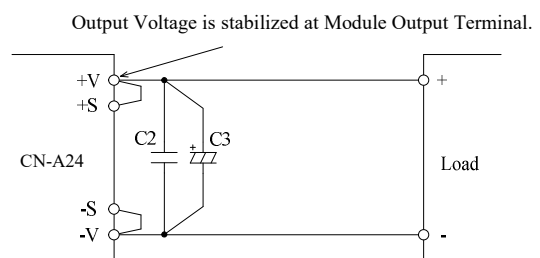


Fig.10-2 Remote Sensing is not used (Local Sensing)

11. ON/OFF Control (CNT terminal)

Without turning the input supply on and off, the output can be enabled and disabled using this function. This function also can be used for output sequence of plural power modules.

ON/OFF control circuit is on the primary side (the input side). For secondary control, isolation can be achieved through the use of a photo-coupler or relay.

CNT Terminal Level to -Vin Terminal	Output Status
H Level ($4V \leq H \leq 35V$) or Open	OFF
L Level ($0V \leq L \leq 0.8V$) or Short	ON

Table11-1 CNT Terminal Level

Notes

1. When ON/OFF control function is not used, CNT terminal should be shorted to -Vin terminal.
2. When using long wiring, for prevention of noise, attach about 0.1uF capacitor between CNT terminal and -Vin terminal.
3. At L level, source current from CNT terminal to -Vin terminal is 0.4mA - 0.5mA.
4. The maximum CNT terminal voltage is 35V.

(1) Output ON/OFF control

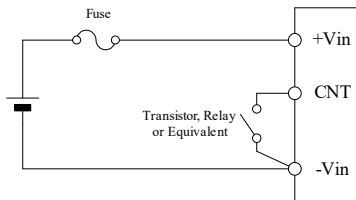


Fig.11-1 CNT Connection (1)

(2) Secondary (output side) control

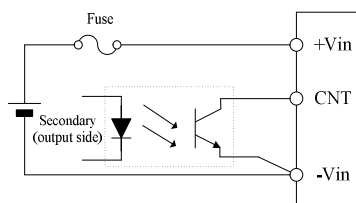


Fig.11-2 CNT Connection (2)

12. Redundant Operation

Redundant Operation is possible for loads that are within the maximum one power of module. When one module is shutdown by the power failure etc., another one can continue to provide power.

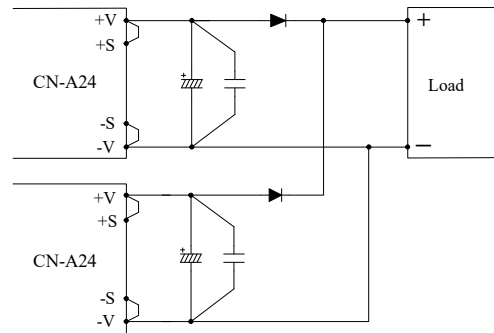


Fig.12-1 Redundant Operation Connection

Note :

In redundant operation, the remote sensing cannot be done.

13. Parallel Operation

Parallel Operation cannot be used.

14. Series Operation

Series operation is possible for CN-A24 series. Connections shown in fig. 14-1 and fig. 14-2 are possible.

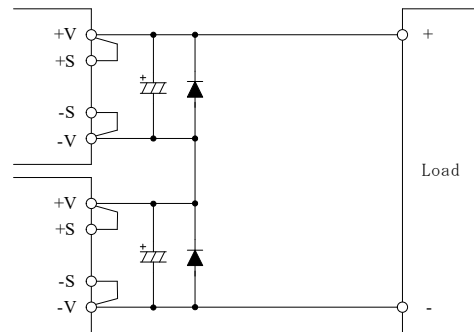


Fig.14-1 Series Operation for High Output Voltage

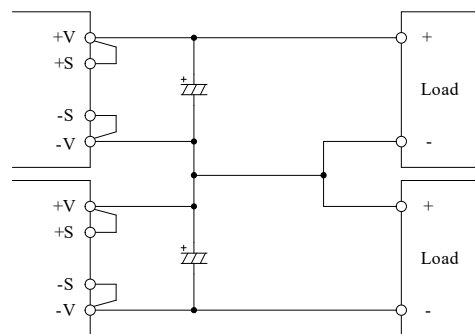


Fig.14-2 ± Output Series Operation

15. Operating Ambient Temperature

There is no restriction on mounting direction but there should be enough consideration for airflow so that heat does not accumulate around the power module vicinity.

Determine external components configuration and mounting direction on PCB such that air could flow through the heatsink at forced cooling and conduction cooling.

By maintaining actual ambient temperature below 85°C and base-plate temperature below 100°C, operation is possible. For details on thermal design, refer to Application Notes “Thermal Design”.

Note :

Maximum base-plate temperature is 100°C. For worst case operating condition, verify base-plate temperature at measurement point indicated in fig. 15-1. Furthermore, for ambient temperature, measure at the side of power supply within 10mm, and use below 85°C.

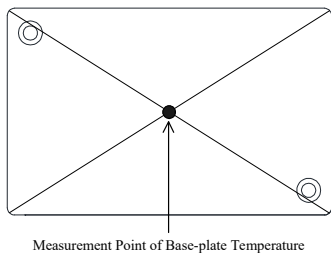


Fig.15-1 Measurement Point of Base-plate Temperature

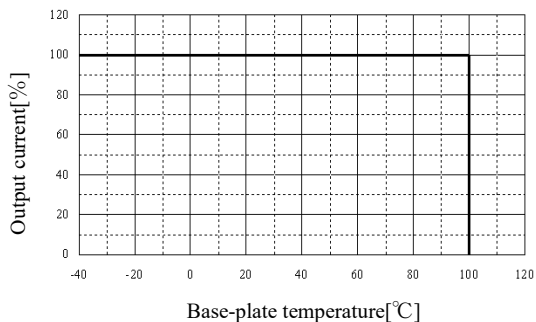


Fig.15-2 Derating Curve

To further improve reliability, it is recommended to use this module with ambient temperature and base-plate temperature derating.

16. Operating Ambient Humidity

Take note that moisture could lead to power module abnormal operation or damage.

17. Storage Ambient Temperature

Take note that sudden temperature changes can cause condensation buildup, and other harmful affects to each terminal solder.

18. Storage Ambient Humidity

Take enough care when storing the power module because rust which causes poor solderability would form in each terminal when stored in high temperature, high humidity environment.

19. Cooling Method

Operating temperature range is specified by the base-plate temperature. Therefore, several methods of heat dissipation are possible.

For details on thermal design, refer to Application Notes “Thermal Design”.

20. Withstand Voltage

This power module is designed to have a withstand voltage of 3kVAC between input and output, 2kVAC between input and base-plate and 500VAC between output and base-plate for 1 minute. When conducting withstand voltage test during incoming inspection, set the current limit value of the withstand voltage testing equipment to 20mA.

Furthermore, avoid throw in or shut off of the testing equipment when applying or when shutting down the test voltage. Instead, gradually increase or decrease the applied voltage. Take note especially not to use the timer of the test equipment because when the timer switches the applied voltage off, impulse voltage which has several times the magnitude of the applied voltage is generated causing damage to the power module.

Connect the terminals as shown in the diagram below.

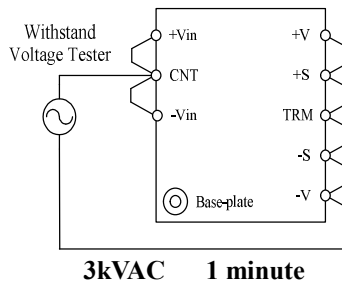
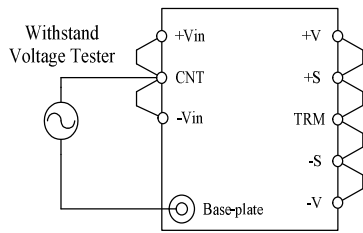
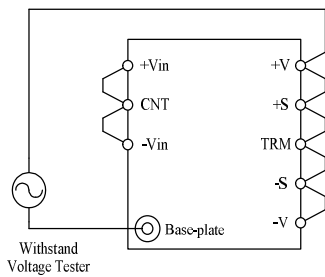


Fig.20-1 Withstand Voltage Test for Input – Output



2kVAC 1 minute

Fig.20-2 Withstand Voltage Test for Input – Base-plate



500VAC 1 minute

Fig.20-3 Withstand Voltage Test for Output – Base-plate

Withstand Voltage Testing with External Application

The above Withstand Voltage Testing specification applies only to power module as stand-alone unit. Please take note of the following points when Withstand Voltage Testing is performed with attached external application.

For applications that require capacitor connections between input – FG and output – FG as shown in Fig. 20-4, set capacitor ratio of input – FG capacitor (C4, C5) and output – FG capacitor (C6, C7) as described below, in order to satisfy 3kVAC Withstand Voltage Testing for input – output.

**Capacitor ratio of Input – FG (C4, C5)
 and Output – FG (C6, C7)
 $C4, C5 : C6, C7 = 1 : 1.3 - 1.5$**

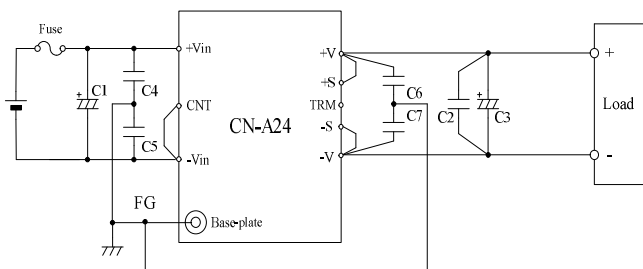
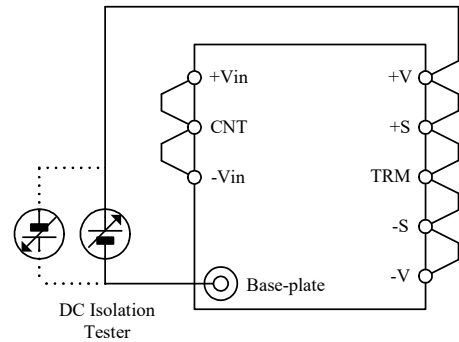


Fig.20-4 Example of connecting external application

21. Isolation Resistance

Use DC isolation tester (MAX 500V) between output and base-plate. Isolation resistance value is 100MΩ and above at 500VDC applied voltage. Make sure that during testing, the isolation testers do not generate a high pulse when the applied voltage is varied.

Ensure that the tester is fully discharged after the test.



Over 100MΩ at 500VDC

Fig.21-1 Isolation Resistance Test

22. Vibration

Vibration of power module is defined when mounted on printed circuit board.

For details, refer to “Mounting Method”.

23. Shock

Withstand shock value is defined to be the value at TDK -Lambda shipment and packaging conditions, or when mounted on printed circuit board.

When mounting on printed circuit board, refer to “Mounting Method”.

Installation

1. Mounting Method

By the following instruction shown in Fig.1-1, mount power module onto printed circuit board.

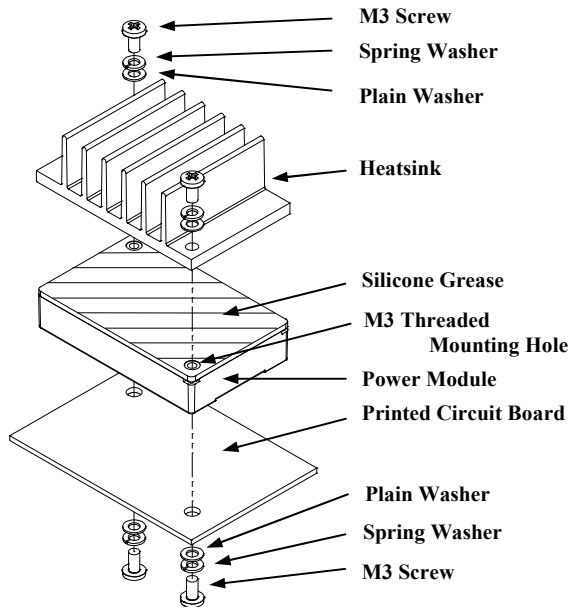


Fig.1-1 Mounting Method

(1) Method to Fixing on Printed Circuit Board

To fix a power module onto printed circuit board, use M3 screws and mount it to the M3 threaded holes of the power module. Recommended torque is 0.54N·m.

(2) Mounting Holes

Mounting holes of the power module are connected to base-plate. Connect base-plate to FG (Frame Ground) by using this mounting holes.

(3) Mounting Holes on Printed Circuit Board

Refer to the following sizes when determining diameter of hole and land diameter of printed circuit board.

Input / Signal terminals (ϕ 1.0 mm)

Hole diameter : ϕ 1.5 mm

Land diameter : ϕ 2.5 mm

Output terminals (ϕ 1.5 mm)

Hole diameter : ϕ 2.0 mm

Land diameter : ϕ 3.5 mm

Mounting Holes (FG)

Hole diameter : ϕ 3.5 mm

Land diameter : ϕ 7.0 mm

For position of the holes, see outline drawing of the power module.

(4) Recommended Material of PCB

Recommended materials of the printed circuit board is double sided glass epoxy with through holes. (thickness t:1.6mm , copper 35μ m).

(5) Input / Output Pattern Width

Large current flows through input and output pattern. If pattern width is too narrow, heat on pattern will increase because of voltage drop of pattern. Relationship between allowable current and pattern width varies depending on materials of printed circuit board, thickness of conductor. It is definitely necessary to confirm on manufacturers of printed circuit board for designing pattern.

(6) Method of Connecting Terminals

Connect +Vin, -Vin, +V, -V with consideration of contacting resistance.

2. Heatsink Installation Method

(1) Method of Fixing Heatsink

To fix the heatsink onto power module, use M3 screws and mount it to the M3 threaded holes (2 places) at the base-plate side. Recommended torque is 0.54 N·m.

Use silicone grease or thermal conductive sheet in between heatsink and base-plate to minimize the contact thermal resistance and to enhance the heat conductivity.

Also use the no-warped heatsink and make sure good contact between base-plate and heatsink.

(2) Mounting Hole of Heatsink

Recommended mounting hole is as follows.

ϕ 3.5 Non-threaded hole

3. Regarding Vibration

The vibration specification of the module is determined assuming that only the power module is mounted on printed circuit board. To prevent excessive force to the module and the printed circuit board, fix the heatsink to the chassis as well as to the module when a large size of heatsink is used.

4. Recommended Soldering Condition

Recommended soldering conditions are as follows.

(1) Soldering dip

Dip condition : 260°C within 10 seconds

Pre-heat condition : 110°C for 30 - 40 seconds

(2) Soldering iron

350°C within 3 seconds

Note :

Soldering time changes according to heat capacity of soldering iron, pattern on printed circuit board, etc. Please confirm actual performance.

5. Recommended Cleaning Condition

Recommended cleaning condition after soldering is as follows.

(1) Cleaning solvent

IPA (isopropyl alcohol)

(2) Cleaning Procedure

Use brush and dry the solvent completely.

■ Before concluding power module damage

Verify following items before concluding power module damage.

1) No output voltage

- Is specified input voltage applied?
- Are the ON/OFF control terminal (CNT), remote sensing terminal (+S, -S), output voltage trimming terminal (TRM) correctly connected?
- For cases where output voltage adjustment is used, is the resistor or variable resistor setting, connections correctly done?
- Are there no abnormalities in the output load used?
- Is the base-plate temperature within the specified temperature range?

2) Output voltage is high

- Are the remote sensing terminals (+S, -S) correctly connected?
- Is the measurement done at the sensing points?
- For cases where output voltage adjustment is used, is the resistor or volume setting, connections correctly done?

3) Output voltage is low

- Is specified input voltage applied?
- Are the remote sensing terminals (+S, -S) correctly connected?
- Is the measurement done at the sensing points?
- For cases where output voltage adjustment is used, is the resistor or variable resistor setting, connections correctly done?
- Are there no abnormalities in the output load used?

4) Load regulation and line regulation is large

- Is specified input voltage applied?
- Are the input terminals and the output terminals firmly connected?
- Is the measurement done at the sensing points?
- Is the input or output wire too thin?

5) Output ripple voltage is large

- Is the measuring method used the same or equivalent with the specified method in the “3. Maximum Output Ripple and Noise”?
- Is the input ripple voltage value within the specified value?

■ Option Heatsink

Model	Heatsink	Size(W×H×D mm)	Thermal Resistance *1
CN-A24	HAQ-10T	57.9×25.4×36.8	7.5°C/W

*1: at convection cooling

1. For CN-A24

(1) HAQ-10T

〈Convection cooling〉

Thermal resistance: 7.5°C/W

〈Forced air cooling〉

