

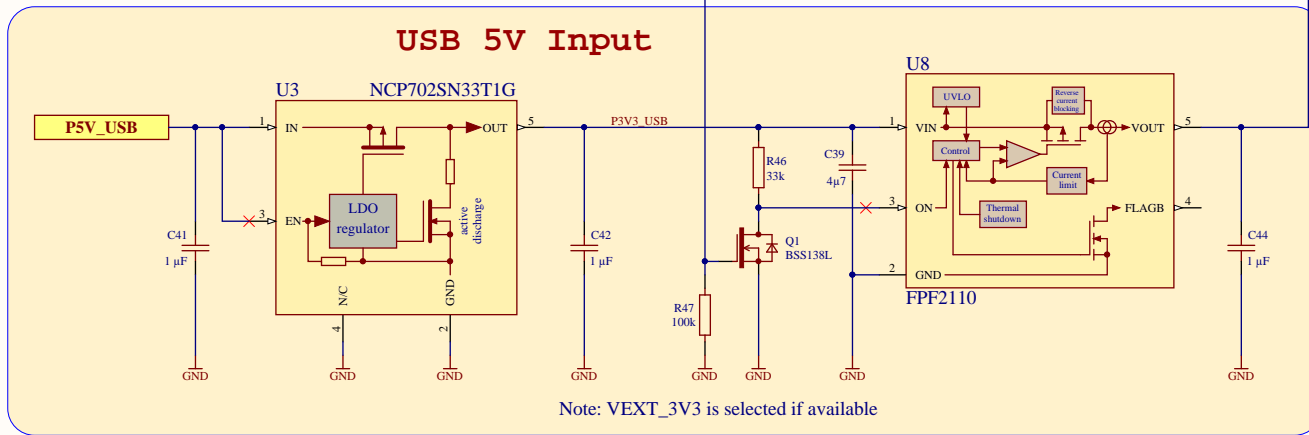
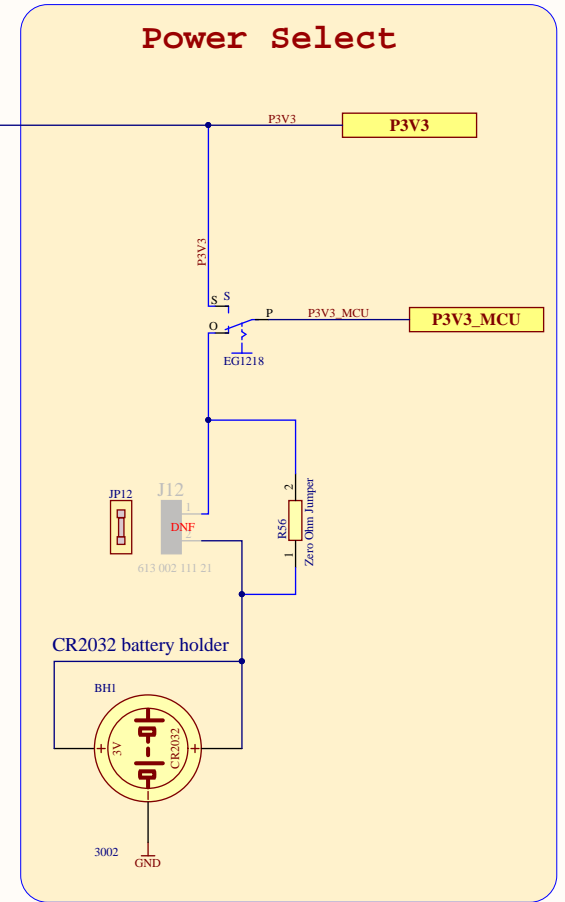
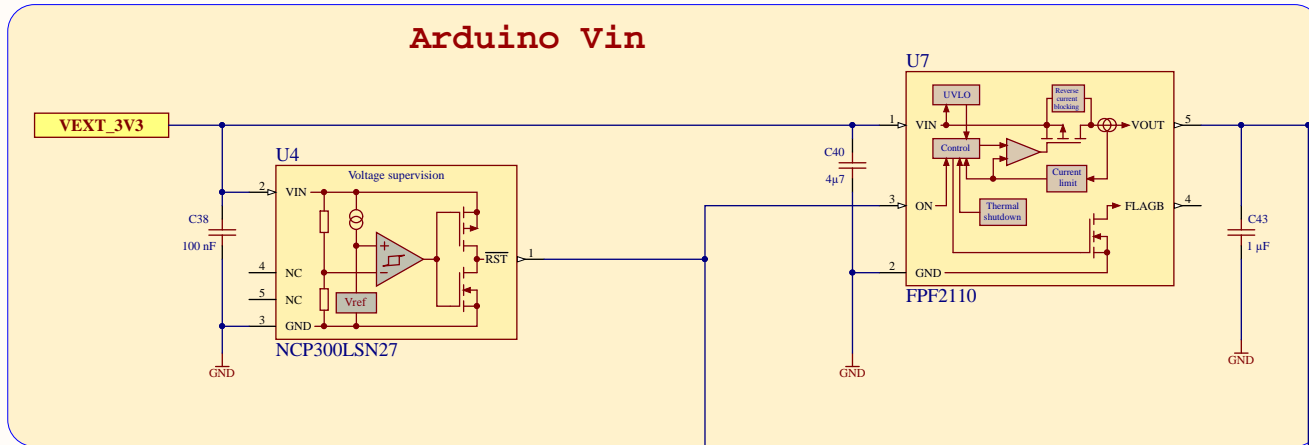
AXM0F343-256-868-1-GEVB		Assembly variant:	State:
Top level diagram		AXM0F343-256-868-1-GEVB	Review
Revision: 4.0	Repository revision:		
Engineer: Lucas Lupifieri	01/12/2020		
File: AXM0F343_XXX_XXX_1_GEVB.SchDoc	1/6		ON Semiconductor Wireless Connectivity Solutions



AXM0F343 Power

Arduino Vin

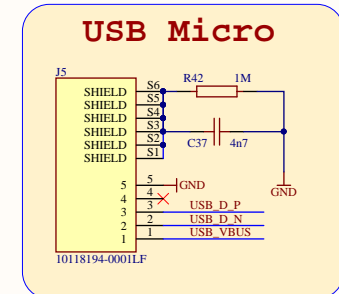
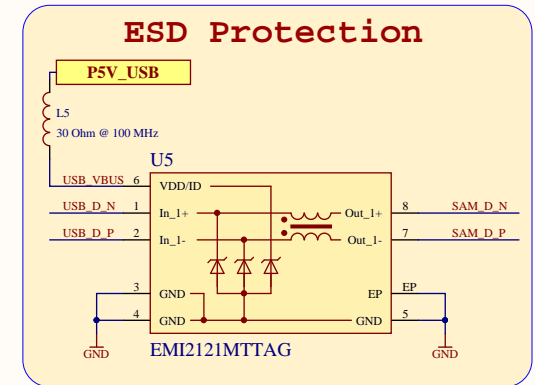
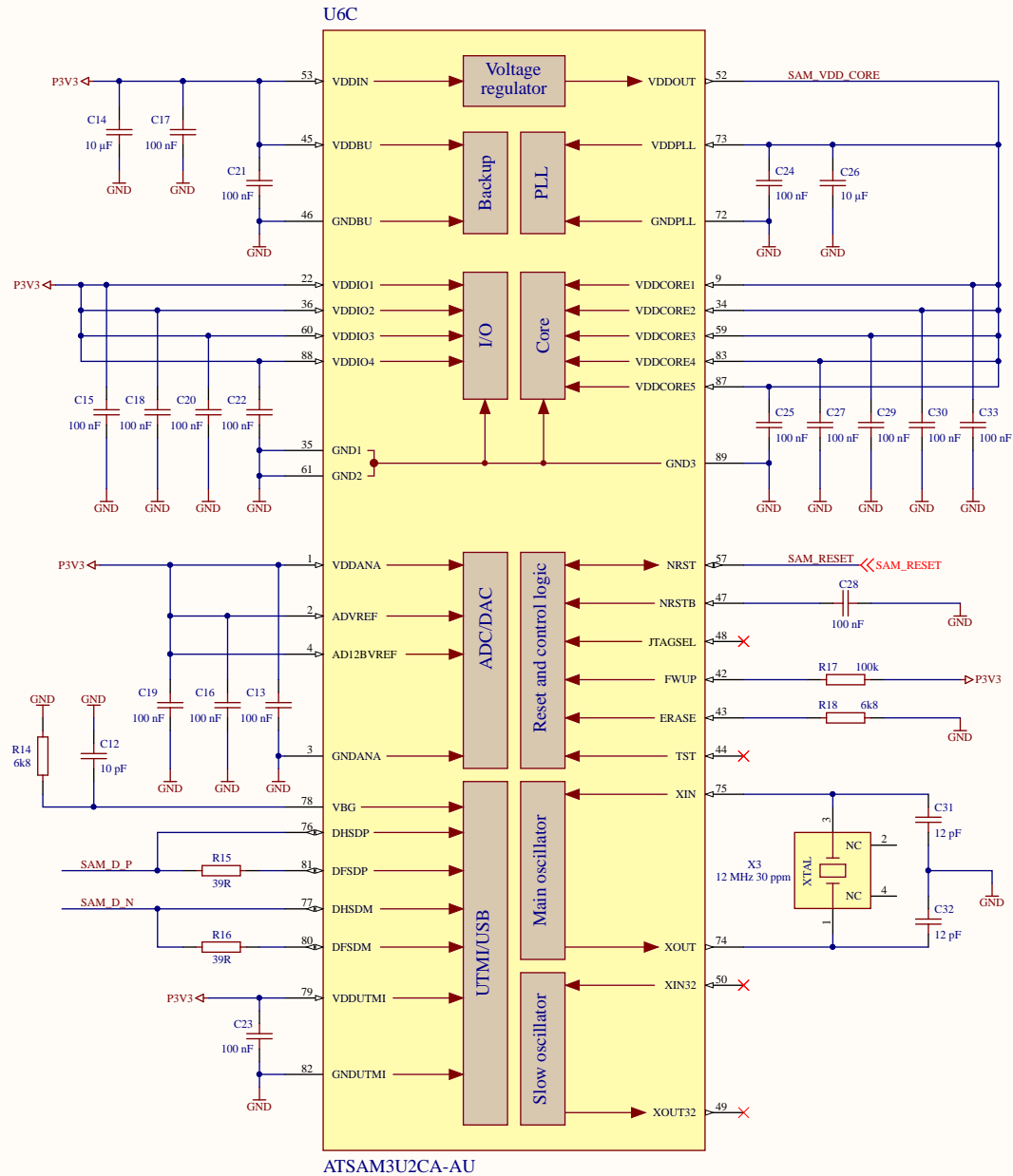
Power Select



Note: VEXT_3V3 is selected if available

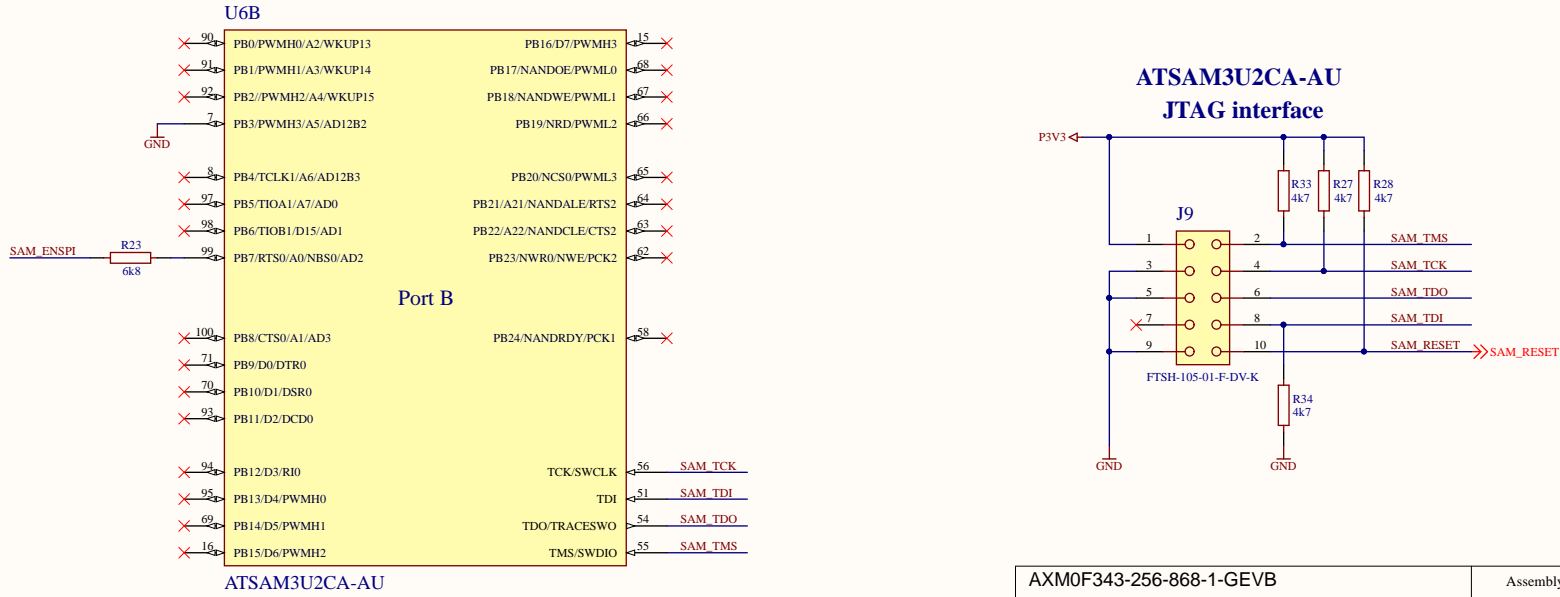
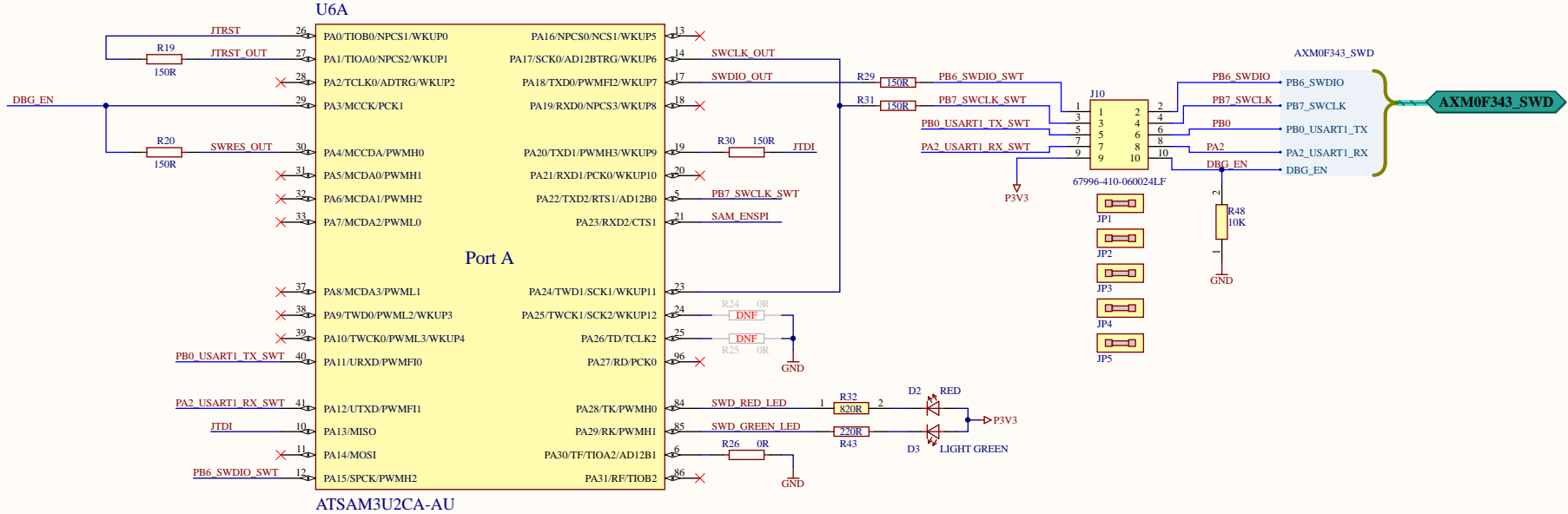
AXM0F343-256-868-1-GEVB		Assembly variant:	State:
Board power supply		AXM0F343-256-868-1-GEVB Review	
Revision: 4.0	Repository revision:		
Engineer: Lucas Lupifier	01/12/2020		
File: AXM0F343_XXX_XXX_1_GEVB_power.SchDoc	2/6		
ON Semiconductor		Wireless Connectivity Solutions	

JLink On-Board Power



AXM0F343-256-868-1-GEVB SW debugger - USB and power supply		Assembly variant:	State:
Revision: 4.0	Repository revision:	AXM0F343-256-868-1-GEVB	Review
Engineer: Lucas Lupifier	04/12/2020	ON Semiconductor	
File: SWD_power_supply.SchDoc		Ultra Low Power - QCS	

JLink On-Board Signals

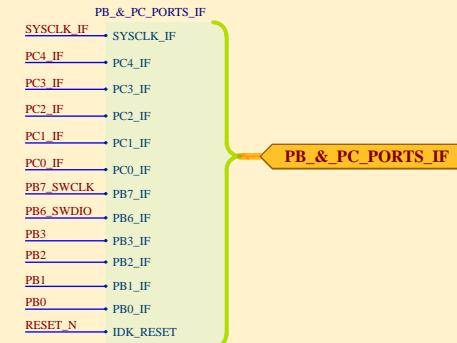
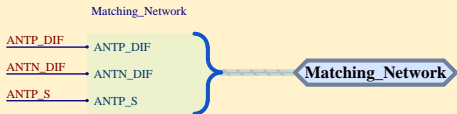
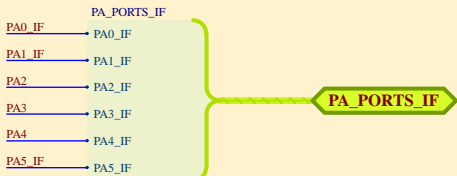
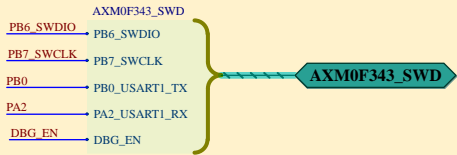


AXM0F343-256-868-1-GEVB <i>SW debugger - signals</i>		Assembly variant: AXM0F343-256-868-1-GEVB	State: Review
Revision: 4.0	Repository revision:		ON Semiconductor
Engineer: Lucas Lupifier	18/12/2020		
File: SWD_signals.SchDoc	4/6		Ultra Low Power - QCS

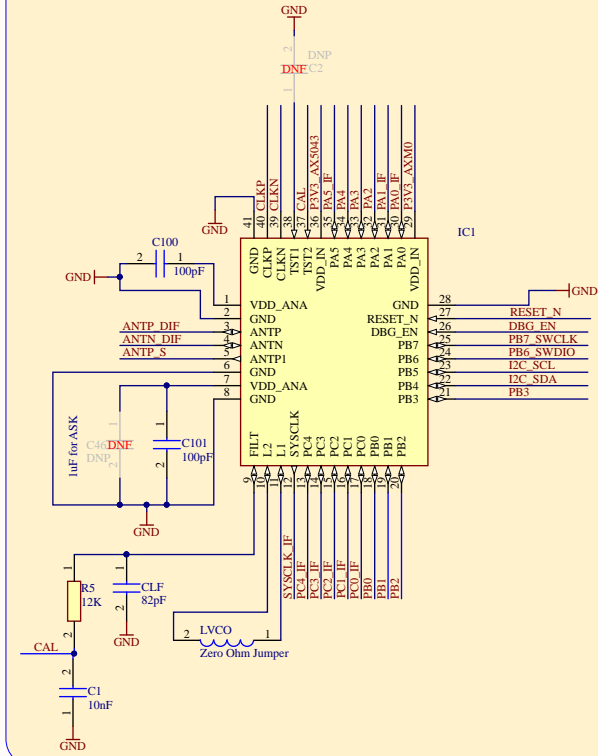


AXM0F343 Core

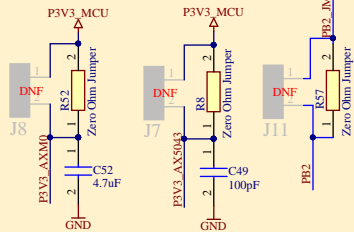
Signal Ports



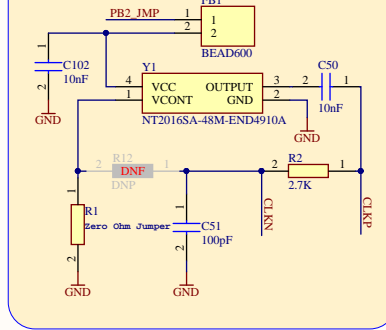
AXM0F343



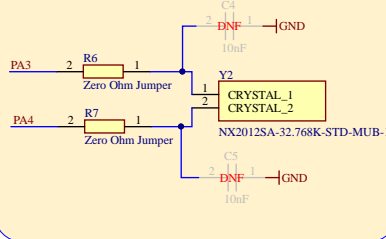
I Monitor



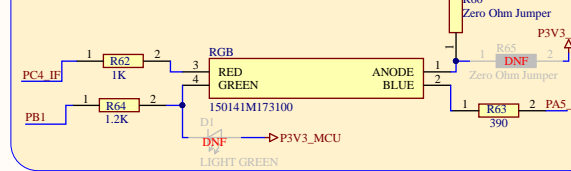
TCXO



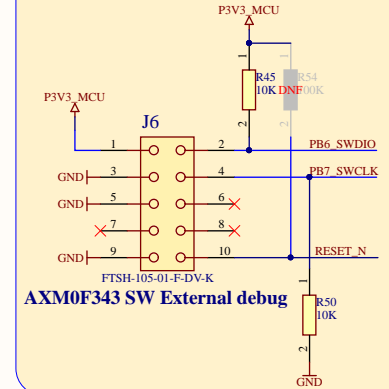
Crystal



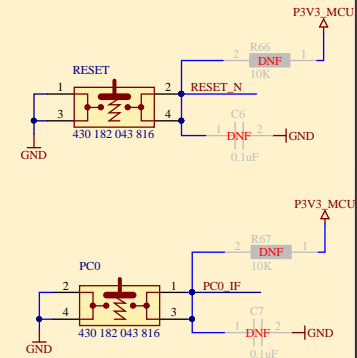
RGB LED



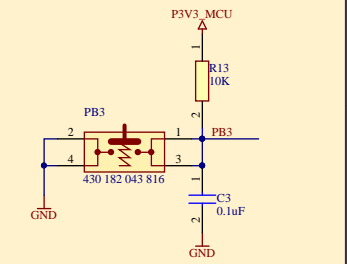
External JLink



Push Buttons



AXM0F343 Hibernate wake-up



AXM0F343-256-868-1-GEVB

AXM0F343-64-915-1 - signals

Revision: 4.0 Repository revision:

Engineer: Lucas Lupifier

15/01/2021

File: AXM0F343_XXX_XXX_1_GEVb_signals.SchDoc

5/6

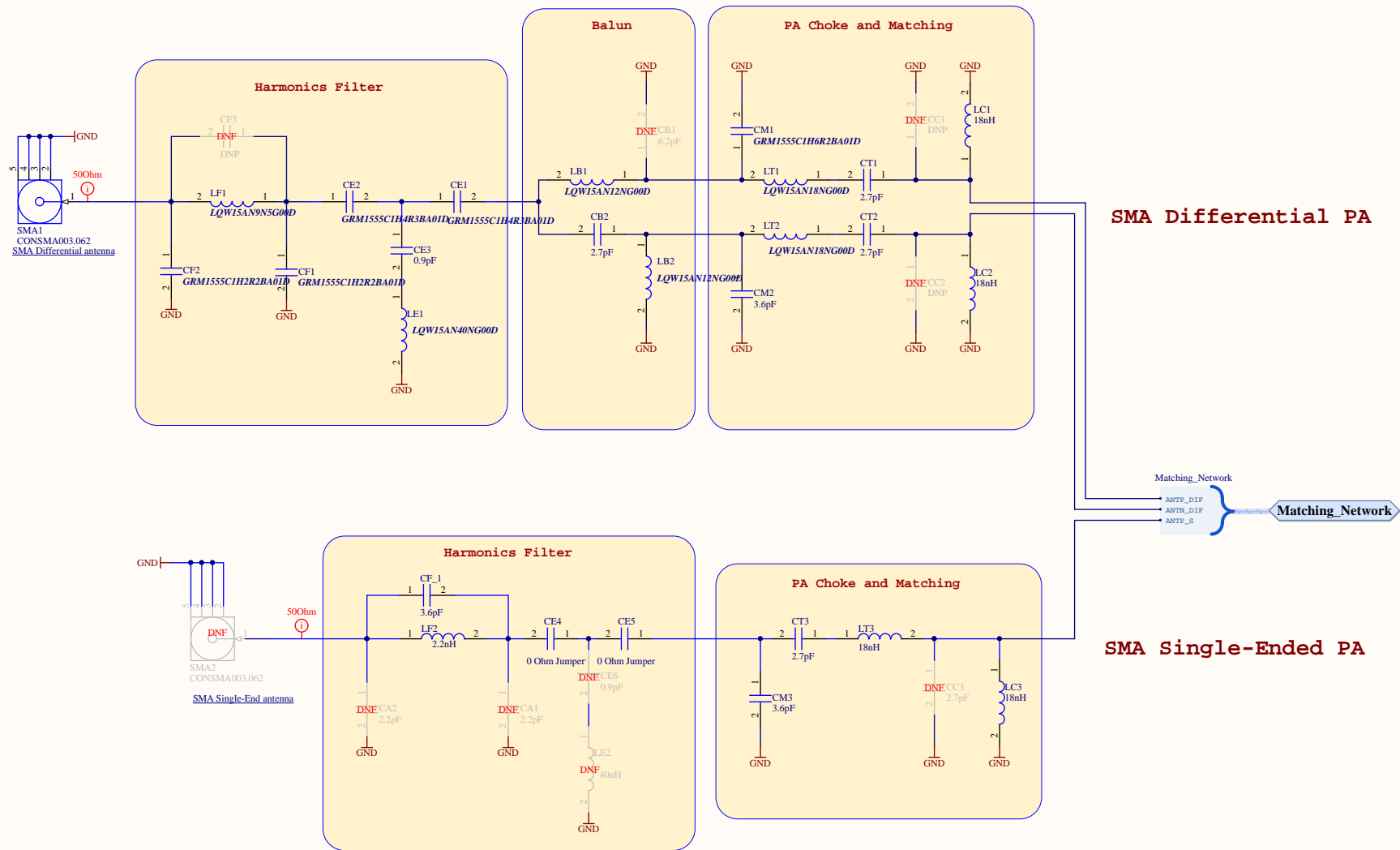
Assembly variant: AXM0F343-256-868-1-GEVB Review


ON Semiconductor

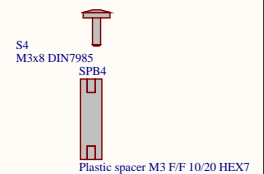
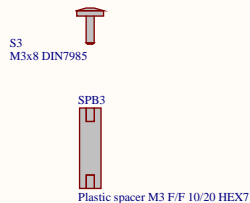
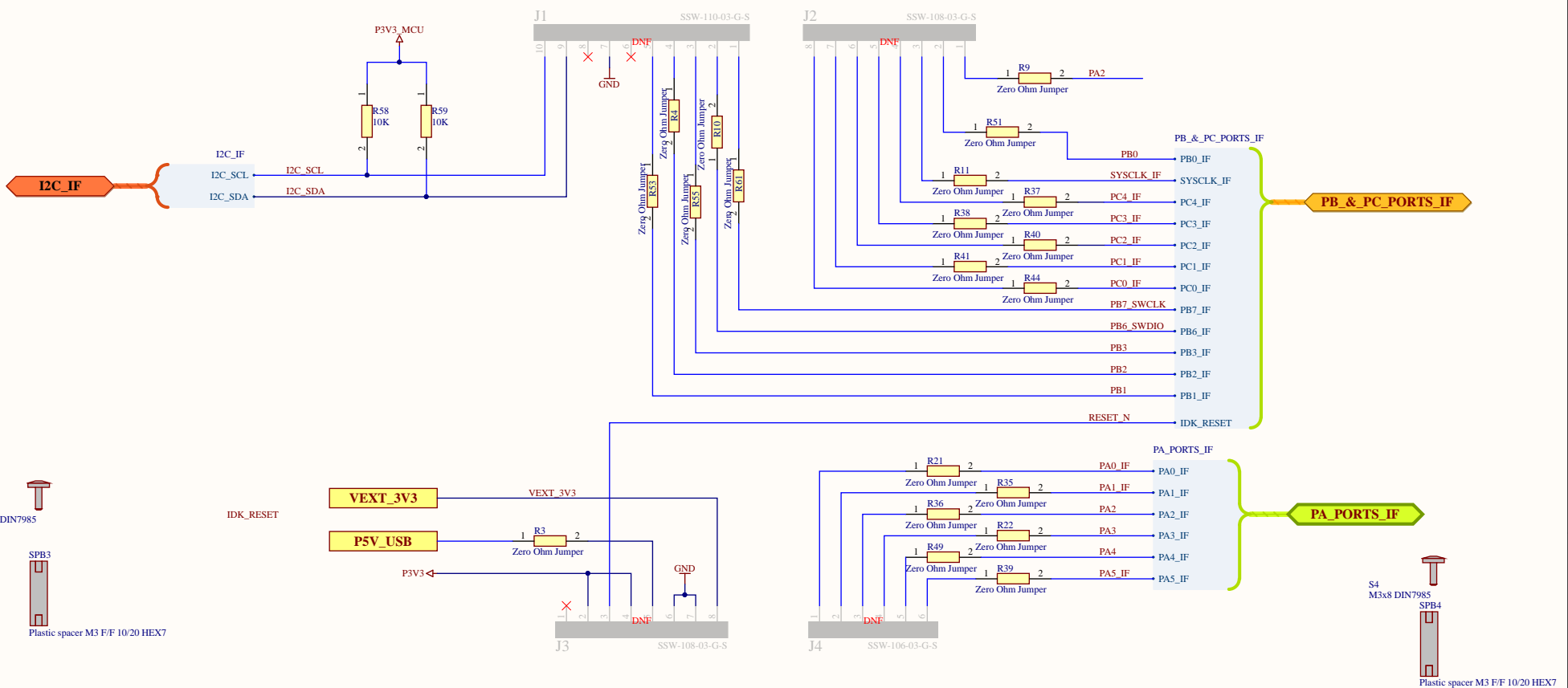
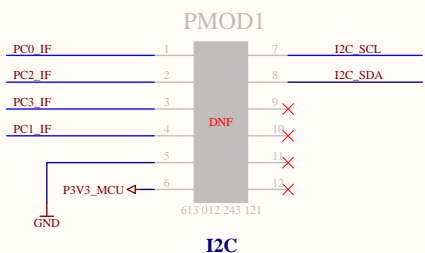
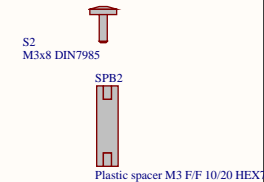
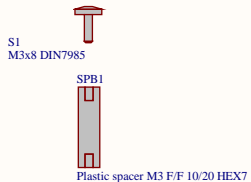
Wireless Connectivity Solutions



ANTENNA Matching Network



AXM0F343-256-868-1-GEVB		Assembly variant:	State:
AXM0F343-64-915-1 - signals		AXM0F343-256-868-1-GEVB	Review
Revision: 4.0	Repository revision:		
Engineer: Lucas Lupifier	01/12/2020		
File: AXM0F343_XXX_XXX_1_GEVB_rf.SchDoc	5/6	ON Semiconductor	
Wireless Connectivity Solutions			



AXM0F343-256-868-1-GEVB Connection to IDK platform		Assembly variant: AXM0F343-256-868-1-GEVB	State: Review
Revision: 4.0	Repository revision:	ON Semiconductor	
Engineer: Lucas Lupifier	01/12/2020	Ultra Low Power - QCS	
File: IDK_connection.SchDoc	6/6	ON	