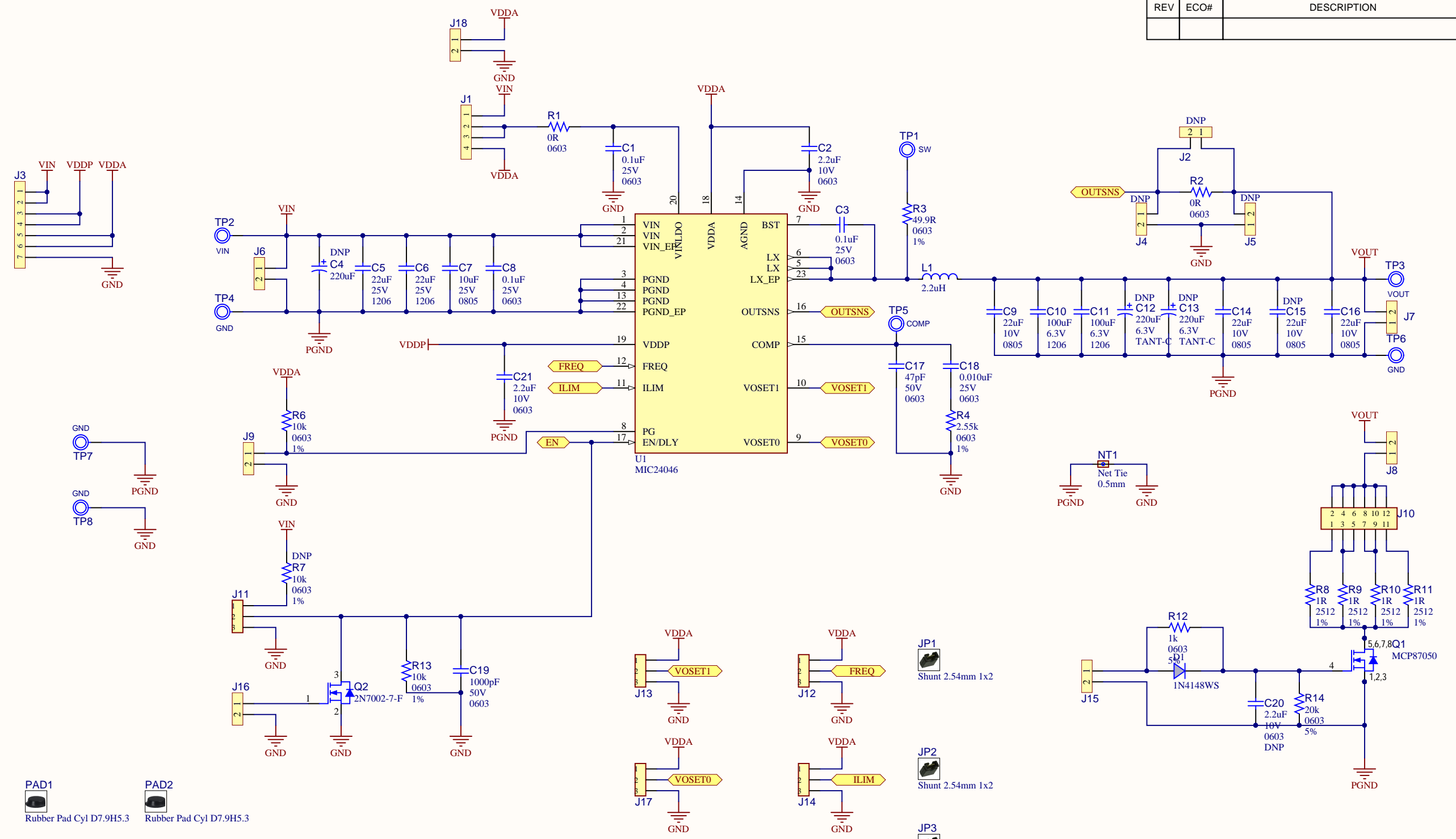


REV	ECO#	DESCRIPTION	DATE



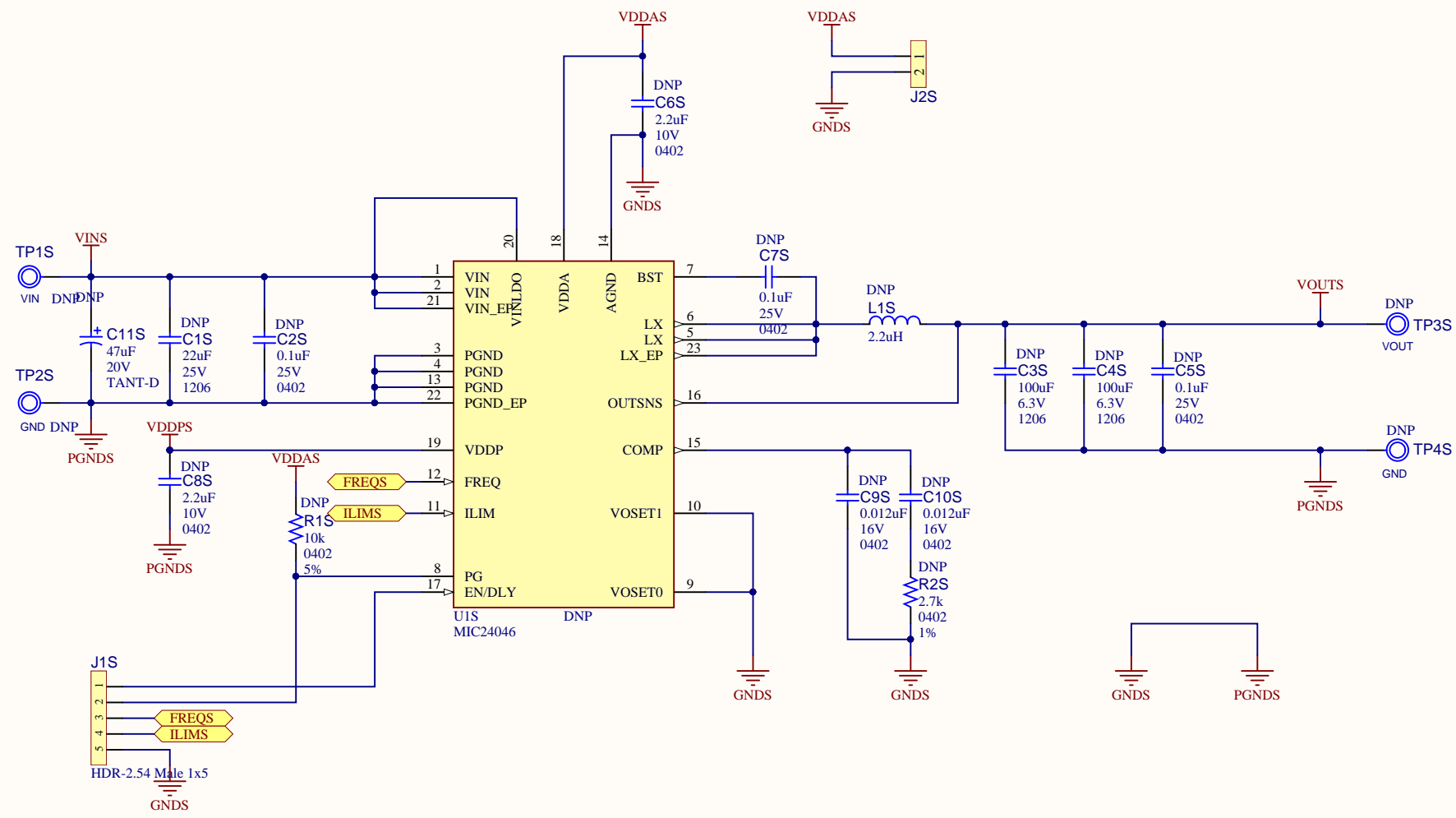
- PAD1 Rubber Pad Cyl D7.9H5.3
- PAD2 Rubber Pad Cyl D7.9H5.3
- PAD3 Rubber Pad Cyl D7.9H5.3
- PAD4 Rubber Pad Cyl D7.9H5.3

- JP1 Shunt 2.54mm 1x2
- JP2 Shunt 2.54mm 1x2
- JP3 Shunt 2.54mm 1x2

LABEL1
 Need Help?
<http://support.microchip.com>
 Ass'y# Serial #
 Label Need Help Large

Drawn By: Mihai Tanase		
Engineer: Mihai Tanase		
PartNumber: ADM00810	Project Title MIC24046 Evaluation Board	
Sheet Title MIC24046 Evaluation Board		
Size B	Sch #03-10621 Revision:1	Date: 1/9/2017 5:39:02 PM Sheet 1 of 2
File: MIC24046_large.SchDoc		

Designed with
Altium
Altium.com



Drawn By: Mihai Tanase		
Engineer: Mihai Tanase		
PartNumber: ADM00810	Project Title MIC24046 Evaluation Board	
Sheet Title MIC24046 Size Optimized Version		
Size B	Sch #03-10621	Date: 1/9/2017 5:39:02 PM
	Revision:1	Sheet 2 of 2
File: MIC24046_small.SchDoc		

Designed with

Altium.com