

ITEM	PART#	DESCRIPTION	QTY	UOM
A	39012086	8CKT MINI FIT JR HOUSING 555908P210	1	PC
B	39000124	MiniFit Term Crp Male C Bs Tin 16awg	8	PC
C	--	PAPER PRINTED PAPER WHITE	1	PC

FROM	TO	DESCRIPTION	COLOR
A1	-	1X16AWG DISC PVC BK UL1015 HOOKUP	BLACK
A2	-	1X16AWG DISC PVC BK UL1015 HOOKUP	BLACK
A3	-	1X16AWG DISC PVC BK UL1015 HOOKUP	BLACK
A4	-	1X16AWG DISC PVC BK UL1015 HOOKUP	BLACK
A5	-	1X16AWG DISC PVC BK UL1015 HOOKUP	BLACK
A6	-	1X16AWG DISC PVC BK UL1015 HOOKUP	BLACK
A7	-	1X16AWG DISC PVC BK UL1015 HOOKUP	BLACK
A8	-	1X16AWG DISC PVC BK UL1015 HOOKUP	BLACK

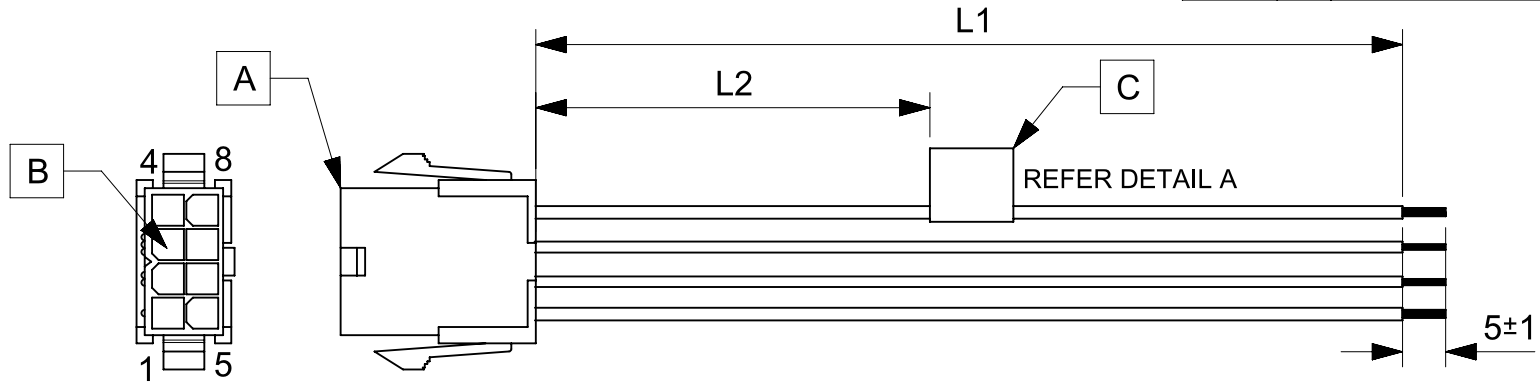


TABLE			
PART NUMBER	L1	L2	TITLE
2153281081	150±8	63 REF	MINIFIT JR DR P-S 8 CIRCUIT 150MM Sn
2153281082	300±10	138 REF	MINIFIT JR DR P-S 8 CIRCUIT 300MM Sn
2153281083	600±10	288 REF	MINIFIT JR DR P-S 8 CIRCUIT 600MM Sn

- NOTES**
1. Connector view shown is from mating side.
 2. Free ends must be stripped, twisted & tinned. The length of tinning is 5±1mm. Tinning dia must be 1.8mm Max.
 3. Label text must be 2mm max. in height with Arial font.
 4. Label must be wrapped in Flag type on a single cable.

MOLEX P/N
MOLEX
BATCH WK/YR
DETAIL A

REVISION			
DATE	REV	DESCRIPTION	CHANGER
2020/03/19	A	INITIAL RELEASE	ARAJU

FUNCTIONAL SYMBOLS $\frac{F}{A} = 0$ $\frac{F}{E} = 0$ $\frac{F}{P} = 0$ DIVISIONAL SYMBOLS	THIS DRAWING CONTAINS INFORMATION THAT IS PROPRIETARY TO MOLEX ELECTRONIC TECHNOLOGIES, LLC AND SHOULD NOT BE USED WITHOUT WRITTEN PERMISSION		DIMENSION UNITS: mm SCALE: NTS		CURRENT REV DESC:		
	GENERAL TOLERANCES (UNLESS SPECIFIED)		EC NO: 638379		DRWN: ARAJU 2020/03/19		
	ANGULAR TOL ± °		DRWN: ARAJU 2020/05/28		CHK'D: RDESAI01 2020/05/28		
	4 PLACES ±		APPR: RDESAI01 2020/05/28		INITIAL REVISION:		
3 PLACES ±		DRWN: ARAJU 2020/03/19		DOCUMENT NUMBER: 2153281081			
2 PLACES ±		APPR: RDESAI01 2020/05/28		DOC TYPE: PSD			
1 PLACE ±		DRWN: ARAJU 2020/03/19		DOC PART: 000			
0 PLACES ±		APPR: RDESAI01 2020/05/28		REVISION: A			
DRAFT WHERE APPLICABLE MUST REMAIN WITHIN DIMENSIONS		THIRD ANGLE PROJECTION	DRAWING: A4-SIZE	SERIES: 215328	MATERIAL NUMBER: SEE TABLE	CUSTOMER: GENERAL MARKET	SHEET NUMBER: 1 OF 1