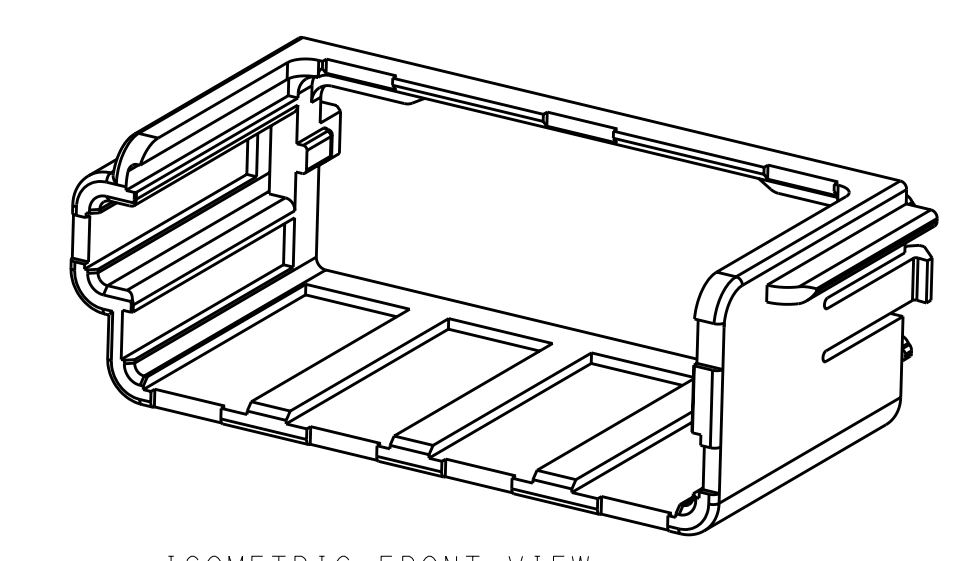
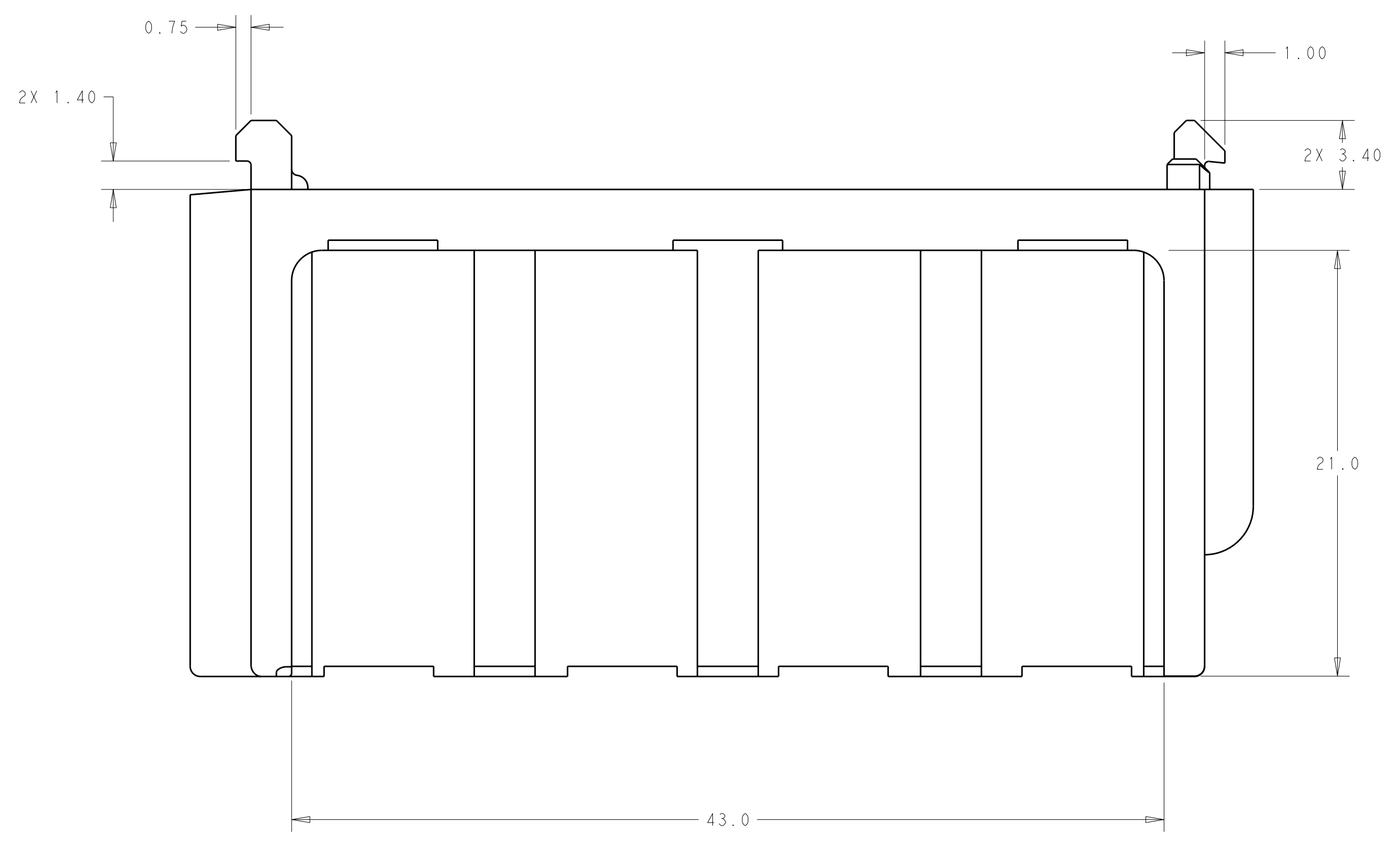
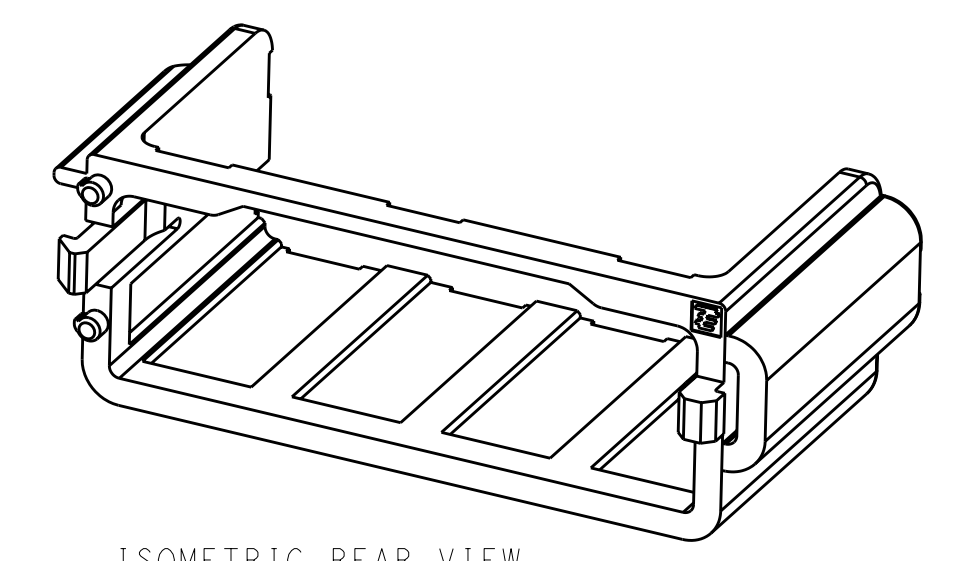


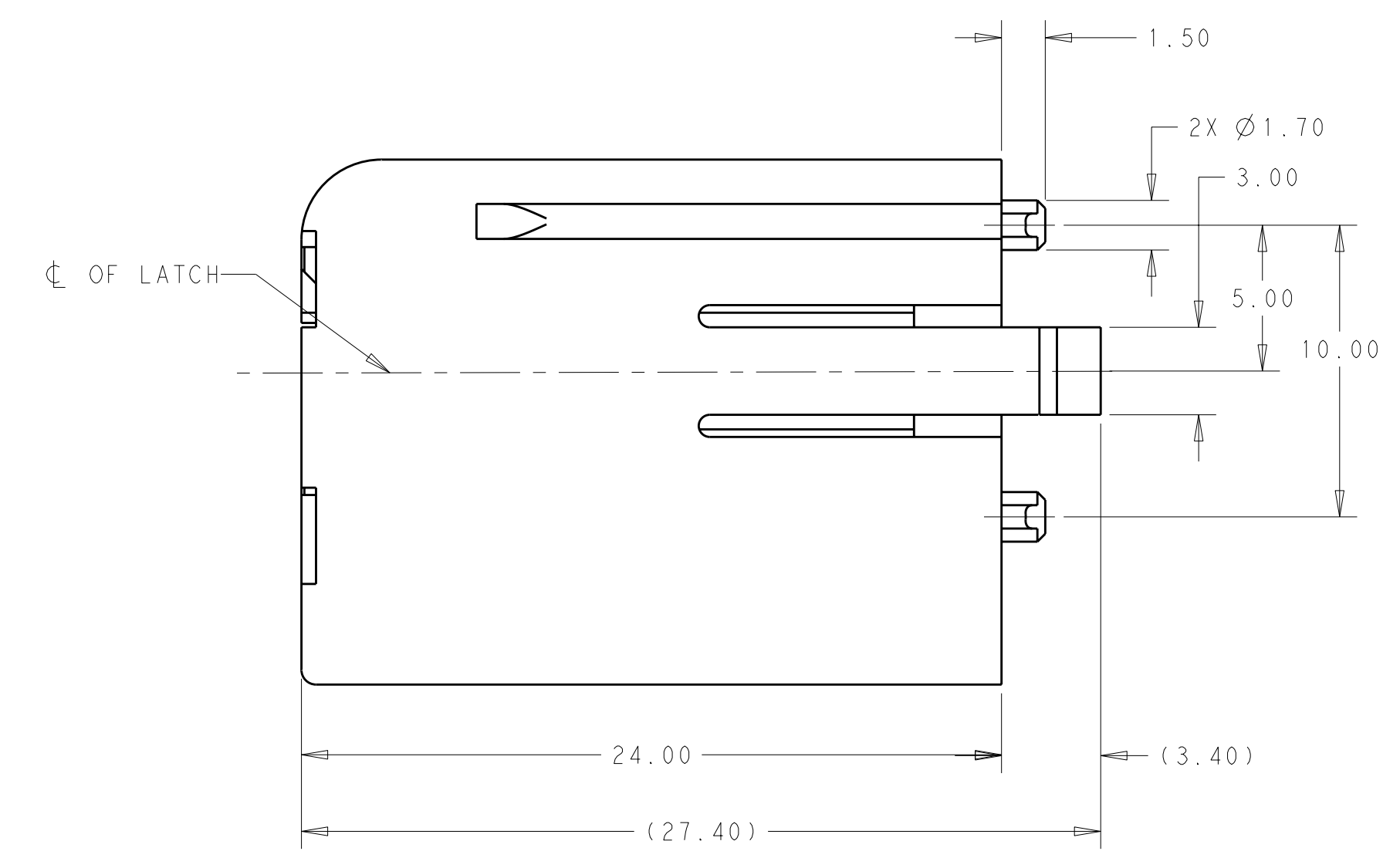
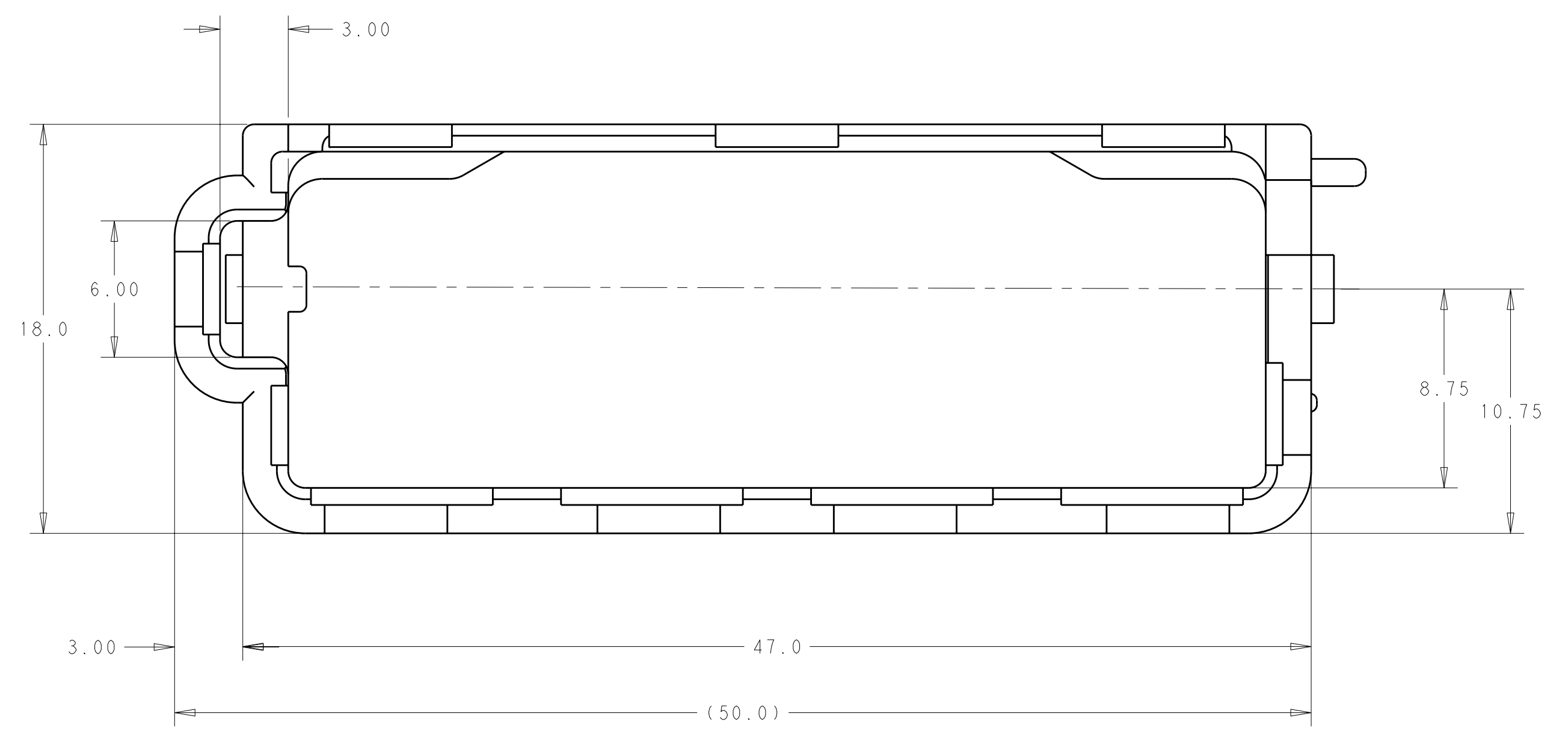
LOC	DIST	REVISIONS			
P	LTB	DESCRIPTION	DATE	DWN	APVD
GP	00				
C1		REV PER ECO-10-014942	21JUL2010	RG	SM
D		REV PER ECO-10-015726	05AUG2010	RG	SM



ISOMETRIC FRONT VIEW



ISOMETRIC REAR VIEW

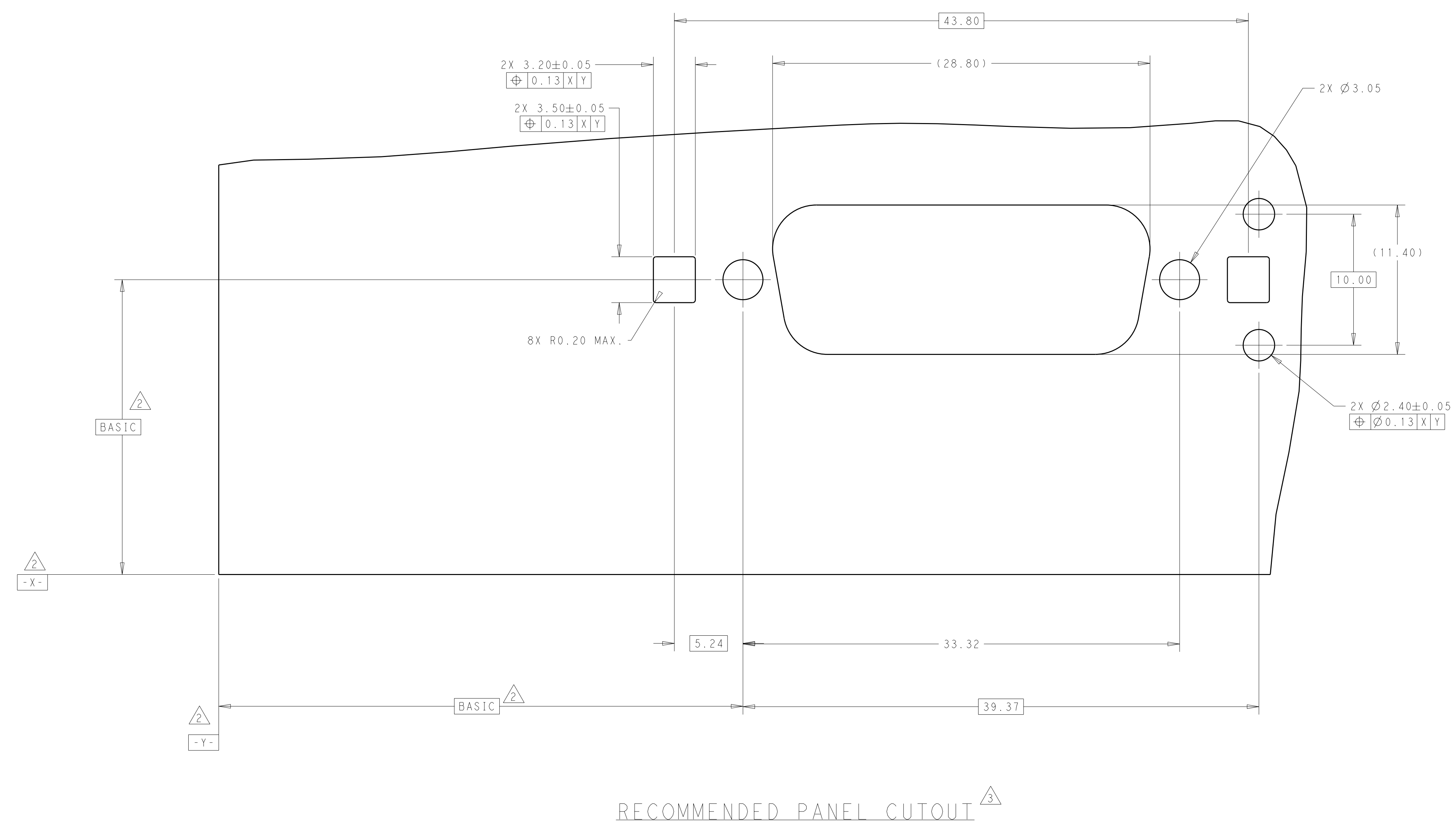


- 1. MATERIAL:  
THERMOPLASTIC UL 94V-0 RATED, COLOR: BLACK
- 2. DATUMS AND BASIC DIMENSIONS TO BE ESTABLISHED BY CUSTOMER.
- 3. REFERENCE TO APPLICATION SPECIFICATION 114-40030 FOR AMPLIMITE SHELL SIZE 2 PANEL CUTOUT. SHROUD TO BE USED WITH A NOMINAL 1.20mm THICK PANEL.

2085418-1  
 PART NUMBER

DIMENSIONS: mm 		TOLERANCES UNLESS OTHERWISE SPECIFIED: 0 PLC ± 1 PLC ±0.4 2 PLC ±0.35 3 PLC ± 4 PLC ± ANGLES ± FINISH #2		DWN G. PETERS 23DEC2009 CHK L. COSSETT 03MAR2010 APVD F. HOWARD 03MAR2010 NAME PRODUCT SPEC APPLICATION SPEC WEIGHT CUSTOMER DRAWING		Tyco Electronics Harrisburg, PA 17105-3608 KEYED CABLE SHROUD PANEL MOUNT SIZE CAGE CODE DRAWING NO A100779C=2085418 SCALE 1:1 SHEET 1 OF 2 REV D	
-----------------------	--	---	--	---	--	---	--

LOC	DIST	REVISIONS			
P	LTB	DESCRIPTION	DATE	DWN	APVD
-	-	SEE SHEET 1	-	-	-



RECOMMENDED PANEL CUTOUT

DIMENSIONS: mm 		TOLERANCES UNLESS OTHERWISE SPECIFIED: 0 PLC ± 1 PLC ±0.4 2 PLC ±0.35 3 PLC ± 4 PLC ± ANGLES ± FINISH #2		DWN G. PETERS 23DEC2009 CHK L. COSSETT 03MAR2010 APVD F. HOWARD 03MAR2010		Tyco Electronics Harrisburg, PA 17105-3608	
MATERIAL -		FINISH -		NAME KEYED CABLE SHROUD PANEL MOUNT		SIZE CAGE CODE DRAWING NO A100779C=2085418	
CUSTOMER DRAWING		WEIGHT -		RESTRICTED TO -		SCALE 1:1 SHEET 2 OF 2 REV D	