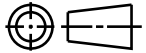
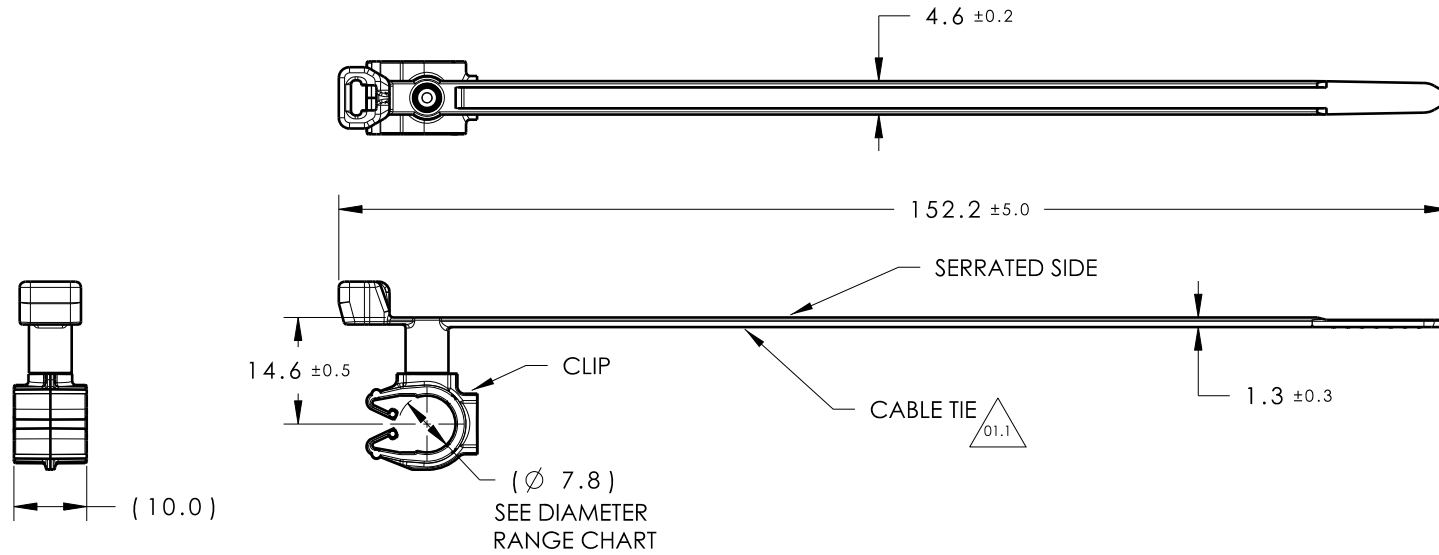


CATIA V5



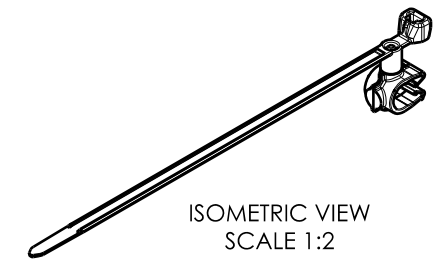
Revision Level			Revision Record	Changed	Date	Approved	Date
Drawing	State	Part					
01.1	DESIGN RELEASE	-	SEE ECN# 014781	JMC	12/05/18	TAT	12/05/18



TYPE	SUGGESTED DIAMETER RANGE*
HARNESS	7.5MM - 8.5MM
HOSE	7.0MM - 8.5MM
HARD PIPE/TUBE	7.9MM - 8.5MM

*RECOMMENDED SIZES MAY DIFFER DEPENDING ON THE APPLICATION, PRODUCT REQUIREMENTS AND MATERIALS USED

**PATENT PENDING 29/582,271



GLOBAL PART DESCRIPTION ^{01.1}	BUNDLE RANGE	CABLE TIE			CLIP**		
		DRAWING ^{01.1}	MATERIAL	COLOR	DRAWING	MATERIAL ^{01.1}	COLOR
T50SVMOC8M-PA66HIRHSUV-BK	2 TO 50	14-0606-011-CSU	PA66HIRHSUV	BLACK	16-0316-000-CSU	PA66HIRHSUV	BLACK

Material SEE CHART COLOR: SEE CHART	Units millimeters	The copyright of this drawing is reserved by HellermannTyton. It is issued on condition that it is not reproduced, copied or disclosed to a third party, either wholly or in part, without the consent of HellermannTyton.	Drawn	TAT	2/15/18	Article/Type-No	T50SVMOC8M	Scale	1:1
	Tolerance defined on each dimension		Approved	EJF	2/16/18	Title	T50SVC TIE STRAP COUPLED TO 8MM MOC	Project Number	16-0316
			HellermannTyton North America Email: corp@htamericas.com Web: www.hellermann.tyton.com			Drawing-No	PRODUCTION : Phase	Format	AH
						16-0316-202-CSU		Sheet	1/1