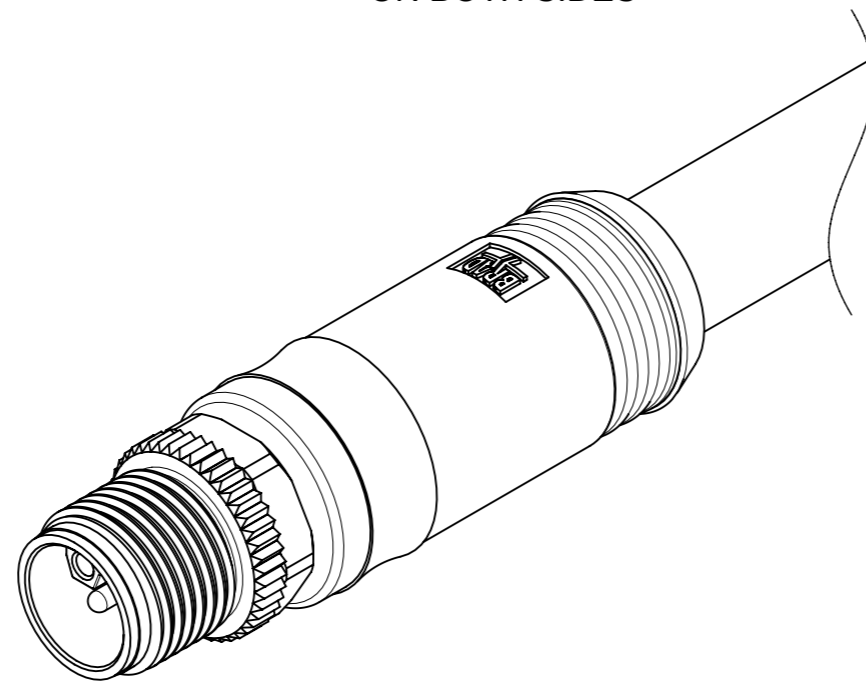
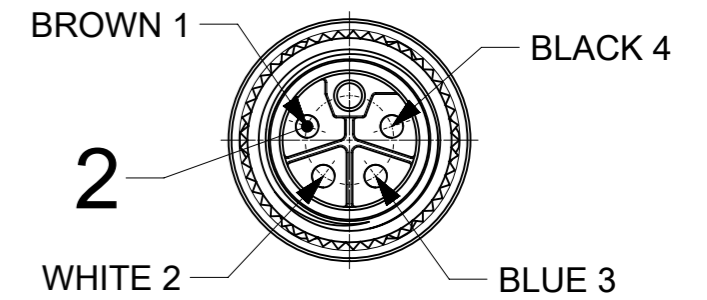


MATING SIDE



NOTES:

RATED VOLTAGE: MAX. 63V AC/DC
 RATED CURRENT: MAX. 16A at 40°C (derating has to be considered)
 IP RATING: IP67 (mated and locked condition)
 TEMPERATURE RANGE: -25°C TO +85°C

CABLE PRINTING (sequence as shown below):

- MOLEX engineering no. (see page 2)
- MOLEX material no. (see page 2)
- MOLEX MAX. 63V AC/DC MAX. 16 A USR
- MOLEX AND DATE OF MANUFACTURING (YY=YEAR; WW=WEEK): MXYWW
- Not for current interrupting
- PROFINET 24V Power 4x2,5

PART ACCORDING PRODUCT SPEC: 1205010169
 PACKAGING ACCORDING PACKAGING SPEC: 1201202000

TABLE 1

POS	DESCRIPTION	MATERIAL	FINISH
1	NUT M12 MA	BRASS	Ni
2	CONTACT 15 MA	BRASS	Au
3	INSERT	PA	BLACK
4	OVERMOLD	TPE	BLACK
5	CABLE 4x2.5 D10.1 WSOR	PUR	BLACK
OPTIONAL 6	ID CARRIER	-	-

FUNCTIONAL SYMBOLS $\nabla_A = 0$ $\nabla_E = 0$ $\nabla_F = 0$	THIS DRAWING CONTAINS INFORMATION THAT IS PROPRIETARY TO MOLEX ELECTRONIC TECHNOLOGIES, LLC AND SHOULD NOT BE USED WITHOUT WRITTEN PERMISSION		 CSE M12 4P LC MA STR WSOR BK XM UNSH	
	FUNCTIONAL DIMENSION UNITS	SCALE		
	mm	2:1	EC NO: 735577	
	GENERAL TOLERANCES (UNLESS SPECIFIED)		DRWN: NIKHIS3 2023/01/12	
ANGULAR TOL ± 1.0°		CHK'D: RSILLER 2023/01/19		
4 PLACES ±		APPR: RSILLER 2023/01/19		
3 PLACES ±		INITIAL REVISION:		
2 PLACES ± 0.05		DRWN: FDAFERNER 2020/05/13		
1 PLACE ± 0.3		APPR: RSILLER 2021/10/05		
0 PLACES ± 0.5		DOCUMENT NUMBER		
DRAFT WHERE APPLICABLE MUST REMAIN WITHIN DIMENSIONS		1205000242		
THIRD ANGLE PROJECTION		DOC TYPE DOC PART REVISION		
DRAWING		PSD 000 A1		
SERIES		MATERIAL NUMBER CUSTOMER SHEET NUMBER		
A3-SIZE 120500		SEE TABLE 2 GENERAL MARKET 1 OF 2		

ENGINEERING NO - NUMERICAL CODE (Available parts see PART LIST table. Other parts available upon request).

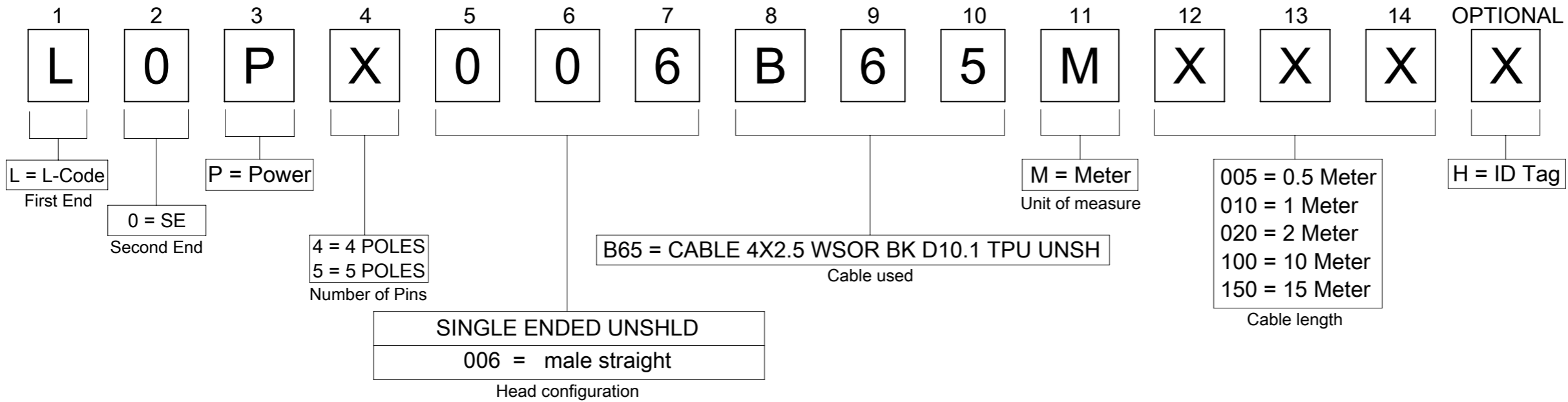



TABLE 2

NOMINAL SECTION 2,5mm ²			
MATERIAL NO.	ENGINEERING NO.	L [mm]	TOLERANCE [mm]
1205000242	L0P4006B65M010	1000	+40
1205000243	L0P4006B65M020	2000	+60
1205000244	L0P4006B65M030	3000	+60
1205000245	L0P4006B65M050	5000	+60
1205000246	L0P4006B65M100	10000	+80
1205000247	L0P4006B65M150	15000	+140
1205000248	L0P4006B65M200	20000	+140

FUNCTIONAL SYMBOLS	THIS DRAWING CONTAINS INFORMATION THAT IS PROPRIETARY TO MOLEX ELECTRONIC TECHNOLOGIES, LLC AND SHOULD NOT BE USED WITHOUT WRITTEN PERMISSION		
	DIMENSION UNITS	SCALE	CURRENT REV DESC: UPDATED ATTRIBUTE TO GENERAL MARKET IN ECTR
$\nabla_A = 0$	mm	1:1	 CSE M12 4P LC MA STR WSOR BK XM UNSH
$\nabla_E = 0$	GENERAL TOLERANCES (UNLESS SPECIFIED)		
$\nabla_{E'} = 0$	ANGULAR TOL ± 1.0°		EC NO: 735577 DRWN: NIKHIS3 2023/01/12 CHK'D: RSILLER 2023/01/19 APPR: RSILLER 2023/01/19
DIVISIONAL SYMBOLS	4 PLACES	±	
	3 PLACES	±	INITIAL REVISION: DRWN: FDAFERNER 2020/05/13 APPR: RSILLER 2021/10/05
	2 PLACES	± 0.05	
	1 PLACE	± 0.3	DOCUMENT NUMBER: 1205000242 DOC TYPE: PSD DOC PART: 000 REVISION: A1
	0 PLACES	± 0.5	
DRAFT WHERE APPLICABLE MUST REMAIN WITHIN DIMENSIONS		THIRD ANGLE PROJECTION	DRAWING: A3-SIZE
		SERIES: 120500	MATERIAL NUMBER: SEE TABLE 2
		CUSTOMER: GENERAL MARKET	SHEET NUMBER: 2 OF 2