

G

G

F

F

E

E

D

D

C

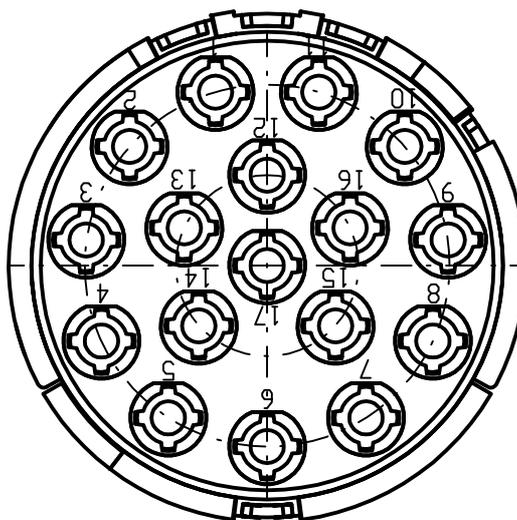
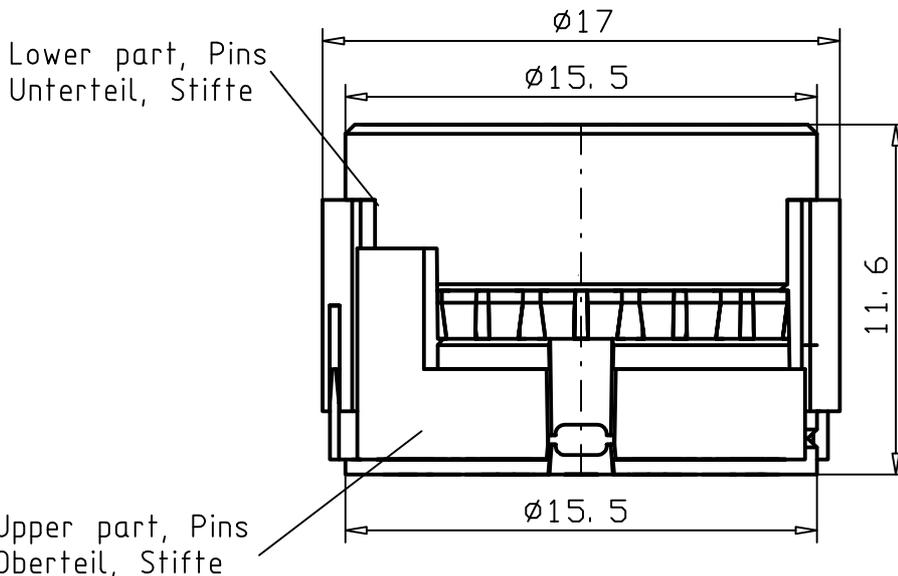
C

B

B

A

A



Notes:

Packaging units: 5 pcs

Tolerances (unless specified): DIN ISO 2768 m

Bemerkungen:

Verpackungseinheit: 5 Stück

Toleranzen (sofern nichts anderes angegeben ist):
DIN ISO 2768 m

DESCRIPTION EC NO: WEU2008-0019 DRWN: BBRAUCH 2008/05/14 CH'KD: LS 2008/05/21 APPR: REISSNER 2008/05/27	QUALITY SYMBOLS	GENERAL TOLERANCES (UNLESS SPECIFIED)		DIMENSION STYLE		SCALE	DESIGN UNITS	FIRST ANGLE PROJECTION
	$\nabla = 0$	4 PLACES	mm	INCH	MM	4:1	METRIC	
	$\nabla C = 0$	3 PLACES	±----	±----	DRAWN BY	DATE	M23 SIG INSERT MALE 17P CRIMP P/N: KISJ6-00	
		2 PLACES	±----	±----	BB	2008/05/14		
		1 PLACE	±----	±----	CHECKED BY	DATE	MOLEX INCORPORATED	
	ANGULAR ± --- °		RE	2008/05/21	DOCUMENT NO.	SD-120232-052		
01	REV	DRAFT WHERE APPLICABLE MUST REMAIN WITHIN DIMENSIONS		MATERIAL NO.	1202320052	SHEET NO.	1 OF 1	
				SIZE	A4	THIS DRAWING CONTAINS INFORMATION THAT IS PROPRIETARY TO MOLEX INCORPORATED AND SHOULD NOT BE USED WITHOUT WRITTEN PERMISSION		