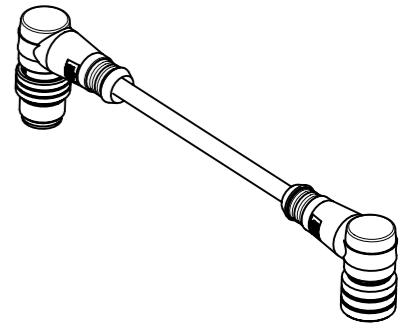
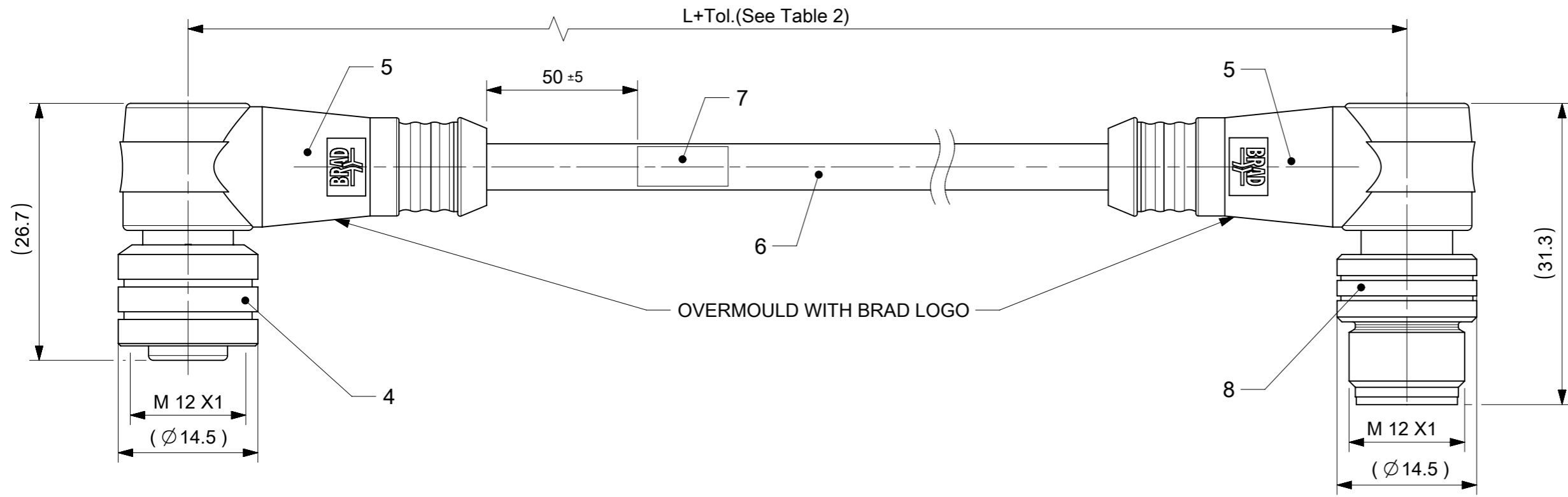
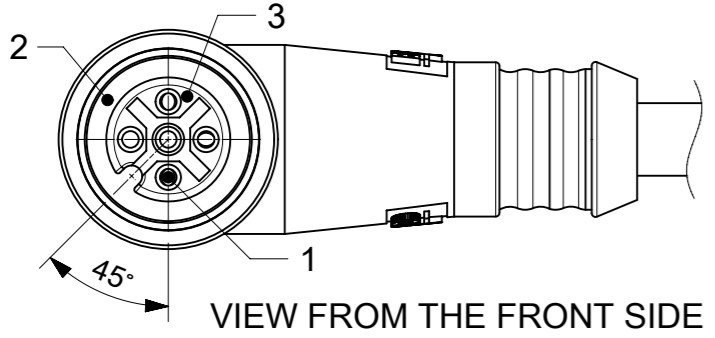


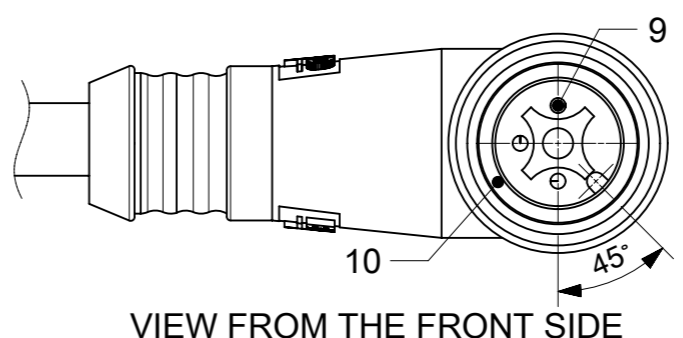
FEMALE PLUG M12 90° ANGLED TO MALE PLUG M12 90° ANGLED



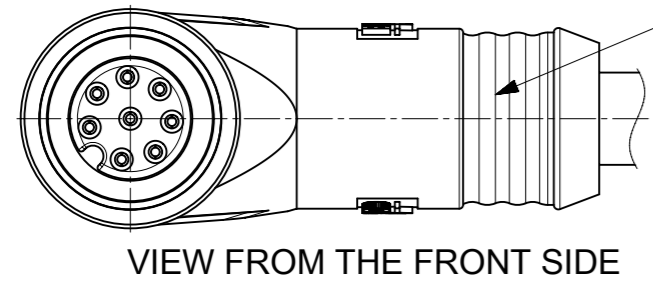
SCALE 1:2



VIEW FROM THE FRONT SIDE

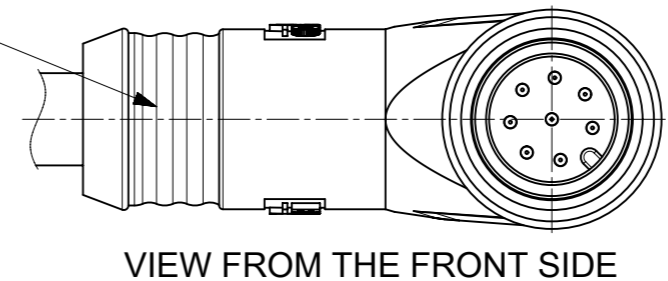


VIEW FROM THE FRONT SIDE



VIEW FROM THE FRONT SIDE

THICKER OVERMOLD FOR CABLES WITH BIGGER OUTER DIAMETER



VIEW FROM THE FRONT SIDE

BILL OF MATERIALS

| ITEM | QTY. | DESCRIPTION | MATERIAL | FINISH/COLOR |
|------|------|---------------------|------------------------------------|----------------------------|
| 10 | 1 | INSERT MALE | PUR | BLACK |
| 9 | 3 | CONTACT M12 MALE | BRASS | SELECTIVE GOLD OVER NICKEL |
| 8 | 1 | COUPLING NUT MALE | BRASS | NICKEL |
| 7 | 1 | LABEL | VINYL | YELLOW |
| 6 | - | CABLE | SEE MATRIX/ CABLE SPECIFICATION | SEE CABLE SPECIFICATION |
| 5 | 1 | OVERMOULD | TPU | SEE MATRIX |
| 4 | 1 | COUPLING NUT FEMALE | BRASS | NICKEL |
| 3 | 1 | INSERT FEMALE | PUR | BLACK |
| 2 | 1 | O-RING | FPM | RED |
| 1 | 3 | CONTACT M12 FEMALE | BRASS | SELECTIVE GOLD OVER NICKEL |
| ITEM | QTY. | DESCRIPTION | MATERIAL | FINISH/COLOR |

NOTES:


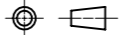
CONTACT CURRENT RATING: 3-5 POLES 4A
8 POLES 2A
VOLTAGE RATING: 3-4 POLES 250V
5 POLES 60V DC
8 POLES 30V
PROTECTION CLASS: IP 67
TEMPERATURE: -25°C / +85°C

| | | | | | | | | | |
|---|--------|--|---------|--------|-----------------|----------------|--------------|--|--|
| THIS DRAWING CONTAINS INFORMATION THAT IS PROPRIETARY TO MOLEX ELECTRONIC TECHNOLOGIES, LLC AND SHOULD NOT BE USED WITHOUT WRITTEN PERMISSION | | | | | | | | | |
| DIMENSION UNITS | SCALE | CURRENT REV DESC: REMOVED OBSOLETE PART NUMBERS AS PER PCN#510807. | | | | | | | |
| mm | 2:1 | | | | | | | | |
| GENERAL TOLERANCES (UNLESS SPECIFIED) | | | | | | | | | |
| ANGULAR TOL | ± 1.0° | CSE M12 XP AC FE RA MA RA XM | | | | | | | |
| 4 PLACES ± | | PRODUCT CUSTOMER DRAWING | | | | | | | |
| 3 PLACES ± | | DOCUMENT NUMBER | | | | | | | |
| 2 PLACES ± 0.05 | | 1200070187 | | | | | | | |
| 1 PLACE ± 0.3 | | DOC TYPE DOC PART REVISION | | | | | | | |
| 0 PLACES ± 0.5 | | PSD 000 A4 | | | | | | | |
| DRAFT WHERE APPLICABLE MUST REMAIN WITHIN DIMENSIONS | | THIRD ANGLE PROJECTION | DRAWING | SERIES | MATERIAL NUMBER | CUSTOMER | SHEET NUMBER | | |
| | | | A3-SIZE | 120007 | SEE TABLE | GENERAL MARKET | 1 OF 3 | | |

PART LIST

| MOLEX PN | ENGINEERING PN | LENGTH (mm) |
|------------|----------------|-------------|
| 1200070187 | 883033E03M003 | 300 |
| 1200669514 | 883033E03M006H | 600 |
| 1200070190 | 883033E03M020 | 2000 |
| 1200668685 | 883033E03M030 | 3000 |
| 1200668668 | 883033E03M050 | 5000 |
| 1200668398 | 883033E03M100 | 10000 |
| 1200668539 | 883033E03M150 | 15000 |
| 1200668253 | 883033E03M200 | 20000 |
| 1200668351 | 883033E13M005 | 500 |
| 1200668498 | 883033H09M010 | 1000 |
| 1200070203 | 883033I03M006 | 600 |
| 1200070204 | 883033I03M010 | 1000 |
| 1200070207 | 883033I03M050 | 5000 |
| 1200070208 | 883033I03M100 | 10000 |
| 1200071856 | 883033I03M1005 | 10000 |
| 1200070209 | 883033I03M150 | 15000 |
| 1200668295 | 883033P03M003 | 300 |
| 1200070215 | 883033P03M006 | 600 |
| 1200070216 | 883033P03M010 | 1000 |
| 1200070217 | 883033P03M020 | 2000 |
| 1200070817 | 883033P03M050 | 5000 |
| 1200668178 | 884033E03M003 | 300 |
| 1200669210 | 884033E03M0038 | 300 |
| 1200669211 | 884033E03M0068 | 600 |
| 1200668757 | 884033E03M008 | 800 |
| 1200070554 | 884033E03M010 | 1000 |
| 1200668192 | 884033E03M020 | 2000 |
| 1200072331 | 884033E03M0201 | 2000 |
| 1200070556 | 884033E03M030 | 3000 |
| 1200070557 | 884033E03M050 | 5000 |
| 1200668492 | 884033H09M010 | 1000 |
| 1200668240 | 884033H09M020 | 2000 |
| 1200668243 | 884033H09M050 | 5000 |
| 1200668260 | 884033I03M010 | 1000 |
| 1200668261 | 884033I03M020 | 2000 |
| 1200668262 | 884033I03M0305 | 3000 |
| 1200668263 | 884033I03M0505 | 5000 |
| 1200668264 | 884033I03M1005 | 10000 |
| 1200661370 | 884033K03M006 | 600 |
| 1200661371 | 884033K03M010 | 1000 |
| 1200661373 | 884033K03M020 | 2000 |
| 1200661374 | 884033K03M030 | 3000 |
| 1200661599 | 884033K03M036 | 3600 |

| MOLEX PN | ENGINEERING PN | LENGTH (mm) |
|------------|----------------|-------------|
| 1200661376 | 884033K03M050 | 5000 |
| 1200661380 | 884033K05M005 | 500 |
| 1200661382 | 884033K05M010 | 1000 |
| 1200661383 | 884033K05M015 | 1500 |
| 1200661384 | 884033K05M020 | 2000 |
| 1200071524 | 884033P03M006 | 600 |
| 1200071523 | 884033P03M010 | 1000 |
| 1200668275 | 884033P03M015 | 1500 |
| 1200668332 | 884033P03M020 | 2000 |
| 1200668179 | 884033P03M020H | 2000 |
| 1200668217 | 884033P03M030 | 3000 |
| 1200668298 | 884033P03M050 | 5000 |
| 1200669900 | 884033P03M100 | 10000 |
| 1200070565 | 884033S20M010 | 1000 |
| 1200665402 | 885033E03M010 | 1000 |
| 1200668529 | 885033E03M010H | 1000 |
| 1200668675 | 885033E03M020 | 2000 |
| 1200668676 | 885033E03M030 | 3000 |
| 1200668677 | 885033E03M050 | 5000 |
| 1200668678 | 885033E03M100 | 10000 |
| 1200668499 | 885033H09M010 | 1000 |
| 1200668679 | 885033H09M020 | 2000 |
| 1200668680 | 885033H09M030 | 3000 |
| 1200668681 | 885033H09M050 | 5000 |
| 1200668682 | 885033H09M100 | 10000 |
| 1200668871 | 885033P03C130 | 130 |
| 1200668346 | 885033P03M003 | 300 |
| 1200668094 | 885033P03M010 | 1000 |
| 1200073087 | 885033P03M020 | 2000 |
| 1200072660 | 885033P03M030 | 3000 |
| 1200073088 | 885033P03M050 | 5000 |
| 1200072657 | 885033P03M0755 | 7500 |
| 1200073089 | 885033P03M100 | 10000 |

| | | | | | | | | | | |
|---|---------|---|------------|-----------------|--------|-----------------|----------------|----------|----------|----------|
| THIS DRAWING CONTAINS INFORMATION THAT IS PROPRIETARY TO MOLEX ELECTRONIC TECHNOLOGIES, LLC AND SHOULD NOT BE USED WITHOUT WRITTEN PERMISSION | | | | | | | | | | |
| DIMENSION UNITS | SCALE | CURRENT REV DESC: REMOVED OBSOLETE PART NUMBERS AS PER PCN#510807. | | | | | | | | |
| mm | 1:1 |  CSE M12 XP AC FE RA MA RA XM | | | | | | | | |
| GENERAL TOLERANCES (UNLESS SPECIFIED) | | | | | | | | | | |
| ANGULAR TOL | ± 1.0 ° | PRODUCT CUSTOMER DRAWING | | | | | | | | |
| 4 PLACES | ± | EC NO: 726454 | 2022/10/27 | | | | | | | |
| 3 PLACES | ± | DRWN: LIKITV | 2022/11/30 | | | | | | | |
| 2 PLACES | ± 0.05 | CHK'D: GGA | 2022/11/30 | | | | | | | |
| 1 PLACE | ± 0.3 | APPR: GGA | 2022/11/30 | | | | | | | |
| 0 PLACES | ± 0.5 | INITIAL REVISION: | | DOCUMENT NUMBER | | | | | | |
| DRAFT WHERE APPLICABLE MUST REMAIN WITHIN DIMENSIONS | | THIRD ANGLE PROJECTION | | DRAWING | SERIES | MATERIAL NUMBER | CUSTOMER | DOC TYPE | DOC PART | REVISION |
| | |  | | A3-SIZE | 120007 | 1200070187 | GENERAL MARKET | PSD | 000 | A4 |
| | | | | | | SEE TABLE | | | | 3 OF 3 |

| | | | | |
|-----------------|----|--------------|------------|----------|
| DOCUMENT STATUS | P1 | RELEASE DATE | 2022/11/30 | 11:33:40 |
|-----------------|----|--------------|------------|----------|