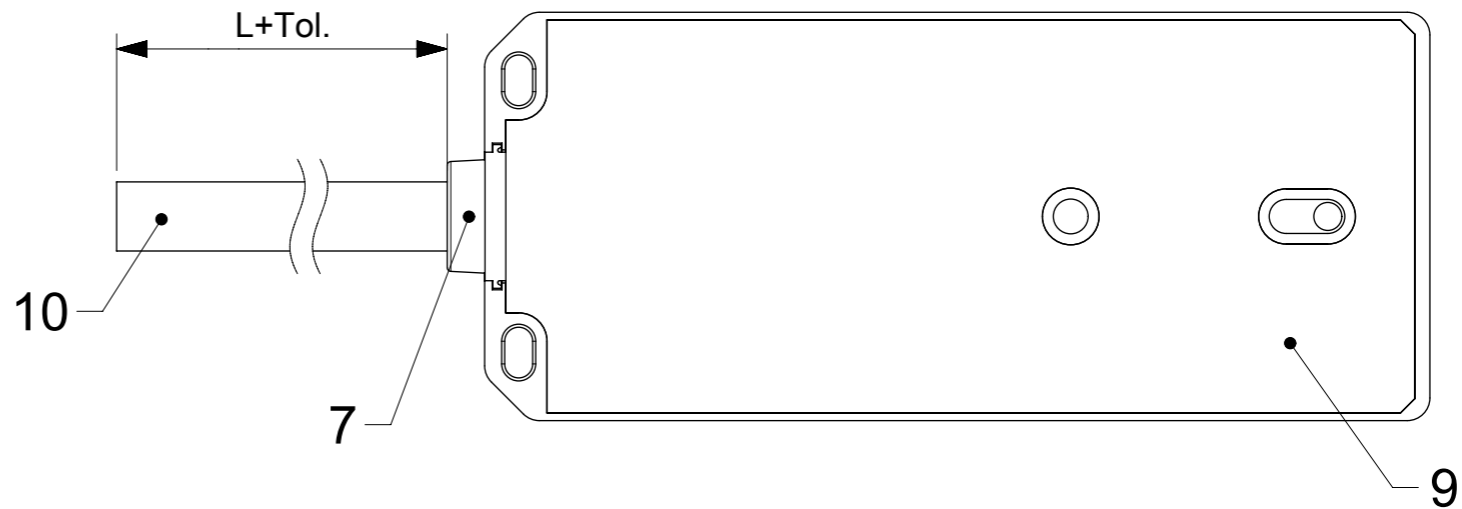
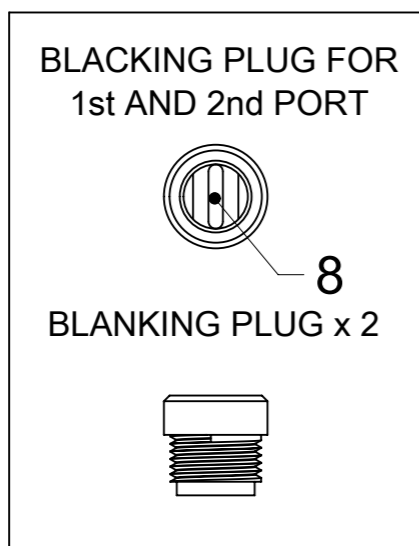
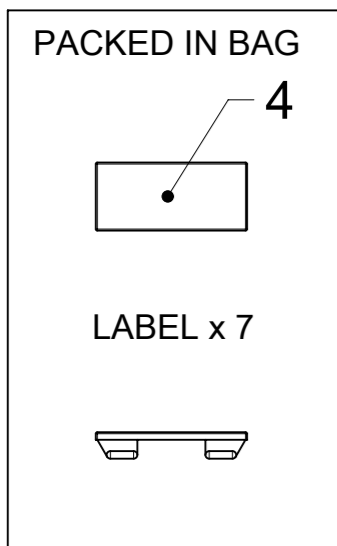
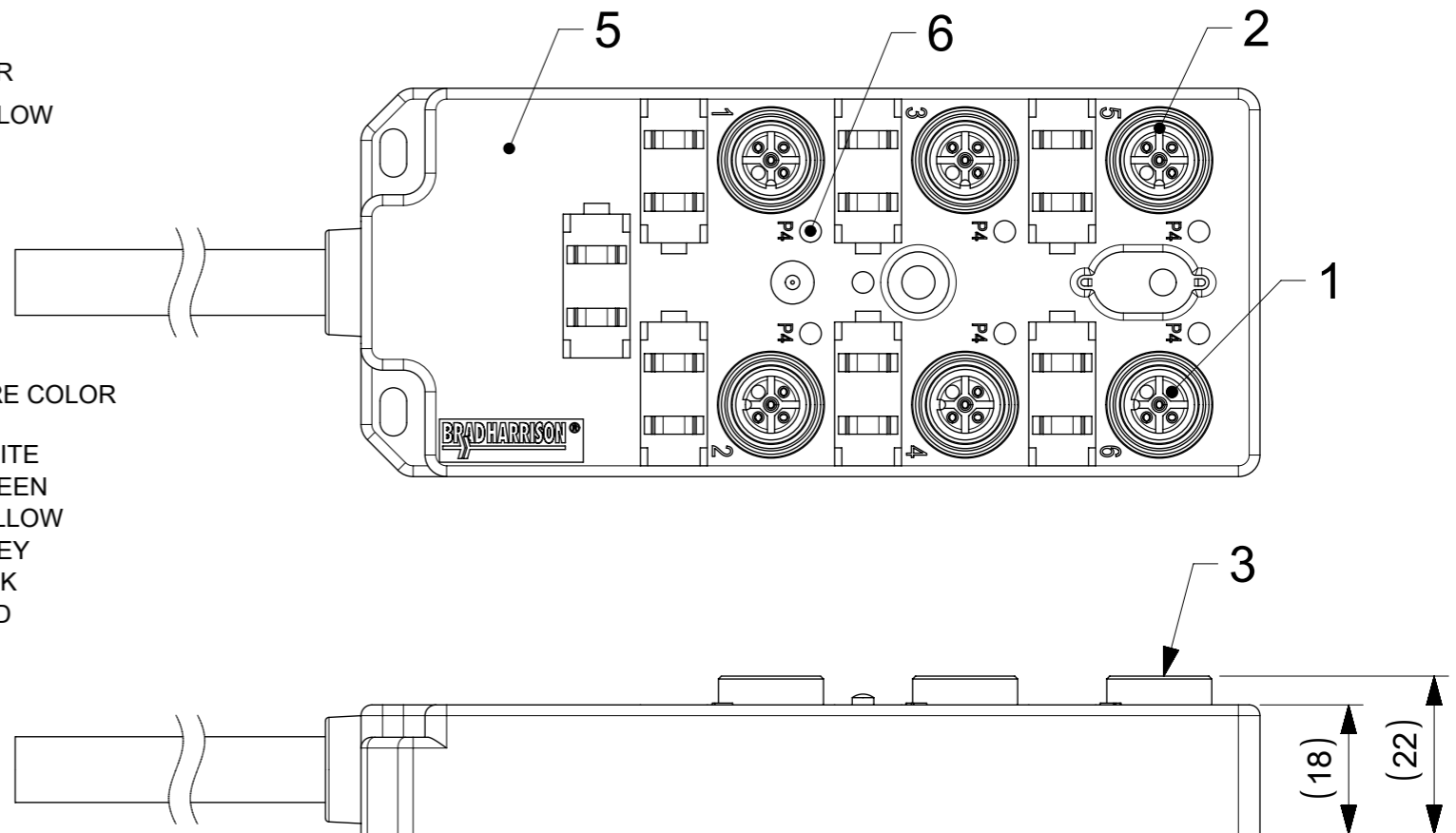
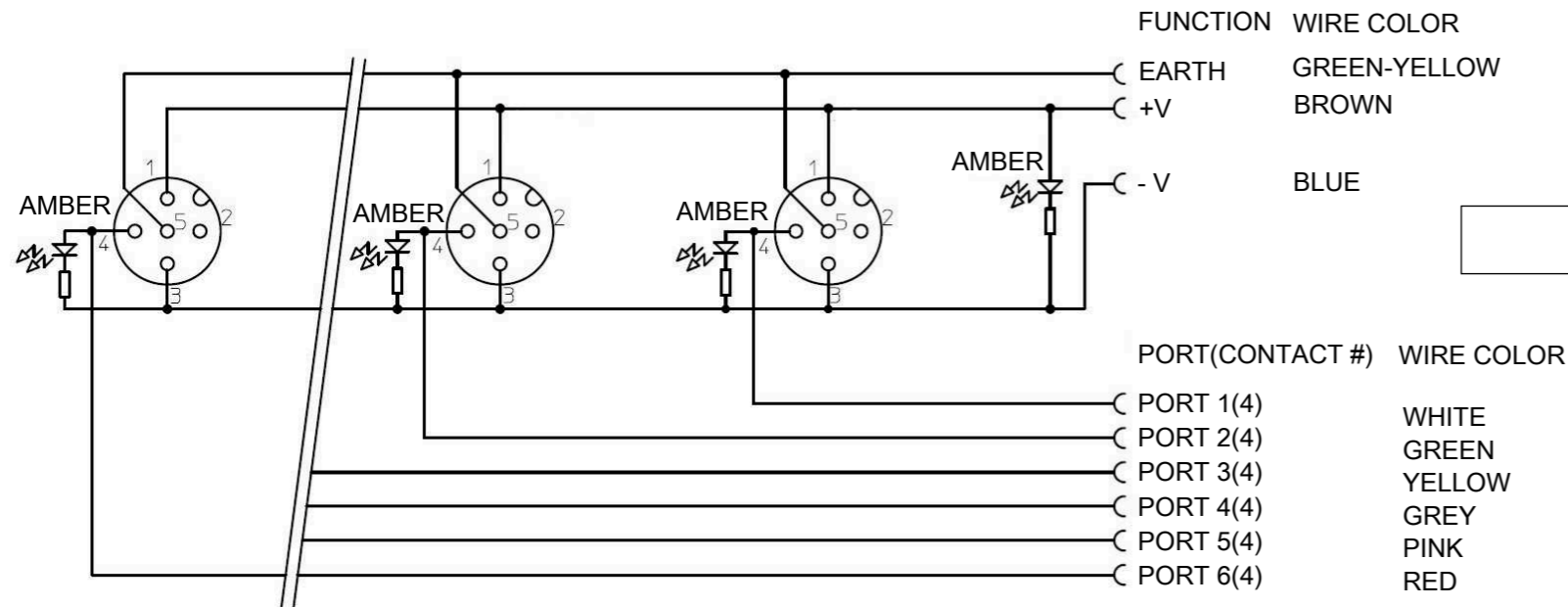


WIRING DIAGRAM



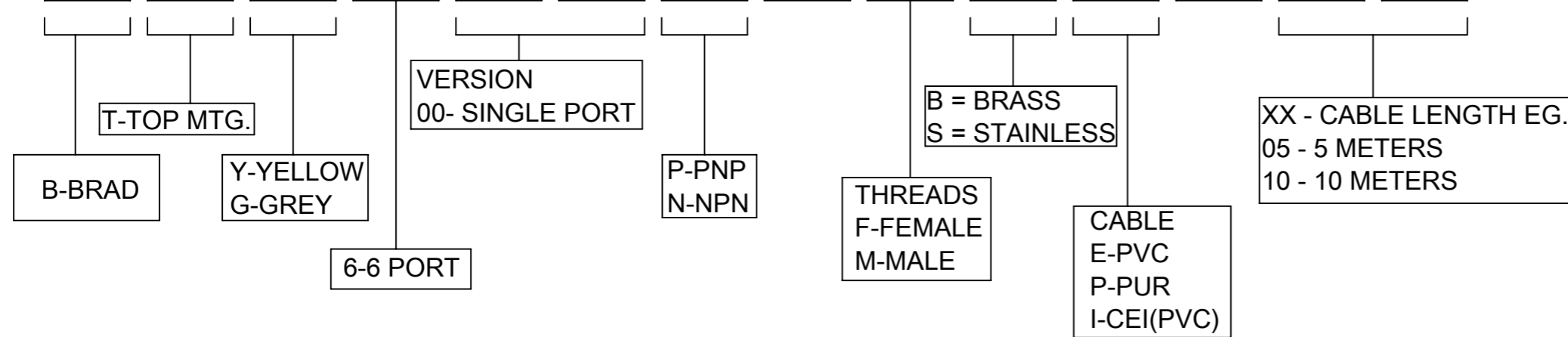
BOM

ITEM	QTY.	DESCRIPTION	MATERIAL	FINISH/COLOR
1	24	CONTACT FEMALE	BRASS	GOLD OVER Ni-PLATED
2	6	GASKET OR	FPM	RED
3	6	SHELL	BRASS	Ni-PLATED
4	7	LABEL	PLASTIC	WHITE
5	1	SINGLE PORT CABLE HOUSING	TBP	YELLOW
6	7	LED	GRILLAMID TR 55	TRANSPARENT
7	1	CABLE PLATE	ULTRADUR B4406 G2	YELLOW
8	2	BLANKING PLUG	PP	VDI 3400
9	-	POTTING MATERIAL	WEVO	-
10	-	CABLE	SEE MATRIX	SEE MATRIX

SYMBOLS DIMENSION UNITS: mm SCALE: 1:1 GENERAL TOLERANCES (UNLESS SPECIFIED): ANGULAR TOL ± 1.0° 4 PLACES ± 3 PLACES ± 2 PLACES ± 0.05 1 PLACE ± 0.3 0 PLACES ± 0.5 DRAFT WHERE APPLICABLE MUST REMAIN WITHIN DIMENSIONS THIRD ANGLE PROJECTION	THIS DRAWING CONTAINS INFORMATION THAT IS PROPRIETARY TO MOLEX ELECTRONIC TECHNOLOGIES, LLC AND SHOULD NOT BE USED WITHOUT WRITTEN PERMISSION		CURRENT REV DESC: INITIAL RELEASE		 M12-MPIS-6W-SINGLE I/O-5M-PVC PRODUCT CUSTOMER DRAWING	
	EC NO: 606320		DRWN: SSM 2018/10/09			
	CHK'D: SSM 2018/10/22		APPR: RSILLER 2018/10/22			
	INITIAL REVISION:		DRWN: SSM 2018/10/09			
APPR: RSILLER 2018/10/22		MATERIAL NUMBER: 1200550402		DOC TYPE: PSD	DOC PART: 000	REVISION: A
DRAWING: A3-SIZE		SERIES: 120055	CUSTOMER: GENERAL MARKET	SHEET NUMBER: 1 OF 2		

PART No MATRIX

B T X 6 0 0 P - F B X - X X



PART LIST

MOLEX P/N	ENGINEERING NO.	CABLE P/N	"Length"(MM)
1200550402	BTY600P-FBE-05	1202092996	10000
1200550570	BTY600P-FBI-10	930900054	10000
1200550605	BTY600P-FBE-10	930900050	10000
1200550621	BTY600P-FBE-20	930900126	20000
1201140054	BTY600P-FBP-15	1202090938	15000
1201148017	BTY600P-FBP-05	1202090938	5000
1201148018	BTY600P-FBP-10	1202090938	10000
1201148019	BTY600P-FBP-20	1202090938	20000

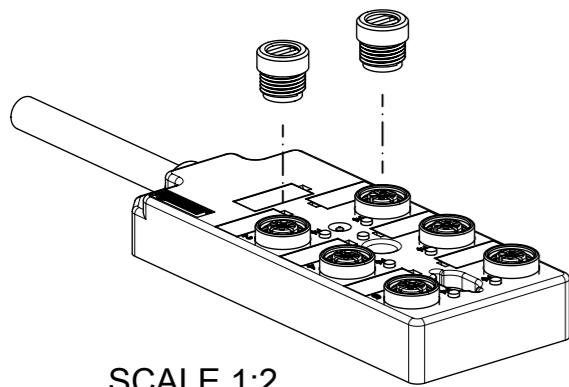
TECHNICAL SPECIFICATION:

VOLTAGE RATING : 10-30 VDC
 AMPERAGE PER PORT : 4 AMPS
 PROTECTION RATING : IP68
 OPERATING TEMPERATURE : -20°C TO +90°C

CABLE INFORMATION:

CABLE TYPE	NO. OF WIRES	CROSS SECTION	CABLE JACKET	UL	CSA	STATIC: TEMP. / BENDING RADIUS	DYNAMIC: TEMP. / BENDING RADIUS	DRAG CHAIN	VOLTAGE RATING
E : E80-9	9	0.34mm ² /0.75mm ²	PVC YELLOW	-	-	-	-5°C to +70°C	-	300V
P : P80-9	9	0.34mm ² /0.75mm ²	PUR BLACK	-	-	-40°C to +90°C	-15°C to +90°C	2 MIO CYCLES	300V
I : I80-9	9	0.34mm ² /0.75mm ²	CEI(PVC) GRAY	-	-	-25°C to +70°C, >10xO.D.	-5°C to +70°C, 15>xO.D.	1 MIO CYCLES	300V

Over	Up to and including	Tolerance(+)
0	305	+19
305	915	+45
915	1830	+56
1830	3660	+89
3660	7320	+165
7320	14640	+317
14640	30500	+610
30500	>	+2% of length



SYMBOLS DIMENSION UNITS: mm SCALE: 1:1 GENERAL TOLERANCES (UNLESS SPECIFIED) ANGULAR TOL ± 1.0° 4 PLACES ± 3 PLACES ± 2 PLACES ± 0.05 1 PLACE ± 0.3 0 PLACES ± 0.5 DRAFT WHERE APPLICABLE MUST REMAIN WITHIN DIMENSIONS THIRD ANGLE PROJECTION DRAWING: A3-SIZE SERIES: 120055	THIS DRAWING CONTAINS INFORMATION THAT IS PROPRIETARY TO MOLEX ELECTRONIC TECHNOLOGIES, LLC AND SHOULD NOT BE USED WITHOUT WRITTEN PERMISSION CURRENT REV DESC: INITIAL RELEASE EC NO: 606320 DRWN: SSM 2018/10/09 CHK'D: SSM 2018/10/22 APPR: RSILLER 2018/10/22 INITIAL REVISION: DRWN: SSM 2018/10/09 APPR: RSILLER 2018/10/22		 M12-MPIS-6W-SINGLE I/O-5M-PVC PRODUCT CUSTOMER DRAWING		
	DOCUMENT NUMBER: 1200550402 DOC TYPE: PSD DOC PART: 000 REVISION: A				
	MATERIAL NUMBER: SEE PART LIST CUSTOMER: GENERAL MARKET SHEET NUMBER: 2 OF 2				

TABLE 1 BILL OF MATERIAL

ITEM	QTY	DESCRIPTION	MATERIAL	FINISH
1	7	LABEL	ABS	WHITE
2	1	CABLE PLATE	PBT	YELLOW
3	1	CABLE	SEE ENG. NO. MATRIX	SEE ENG. NO. MATRIX
4	24	CONTACT	BRASS	GOLD OVER NICKEL
5	6	O-RING	FPM	RED
6	6	SHELL	BRASS	NICKEL PLATET
7	7	LED	NON LED = PBT/ WITH LED = PA	NON LED YELLOW/ WITH LED TRANSPARENT
8	2	PROTECTING CAP	PP	BLACK
9	1	HOUSING	PBT	YELLOW

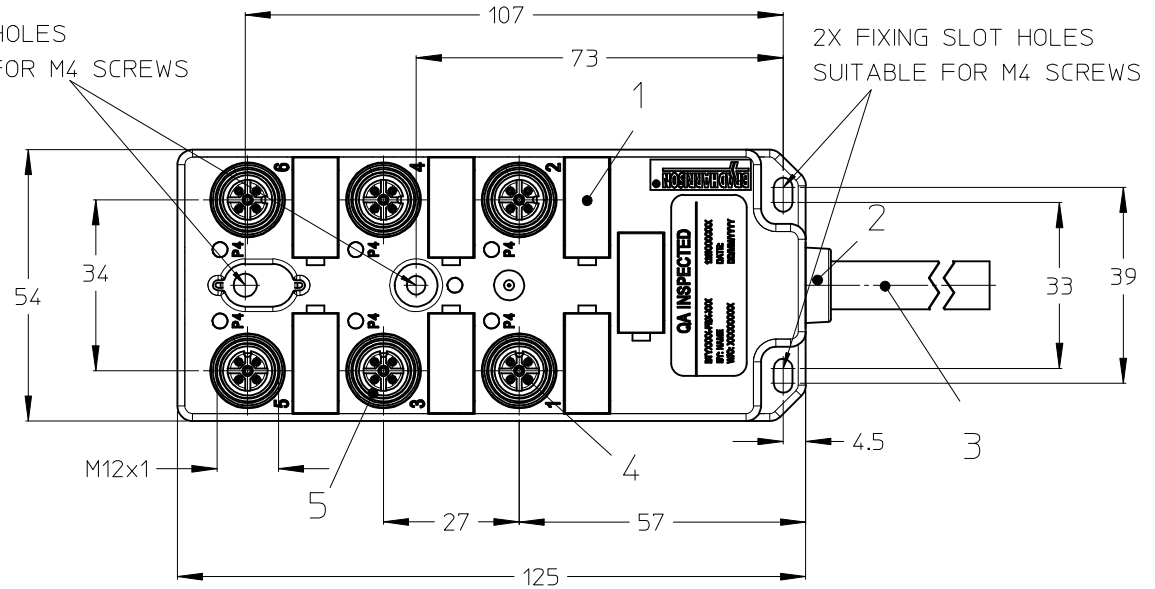
GENERAL CHARACTERISTICS

NOMINAL VOLTAGE: 10-30 V DC
 POLLUTION DEGREE: 3
 RATED CURRENT: 4 A PER PORT / 12 A MAX: TOTAL
 CONTACT RESISTANCE: ≤ 5 mOHM
 ISULATION RESISTANCE: > 10⁹ OHM
 IP DEGREE OF PROTECTION: IP 67
 IP 68 REFER TO TEST SUMMARY TS-120005-016

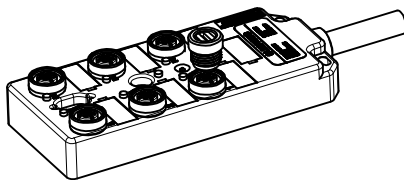
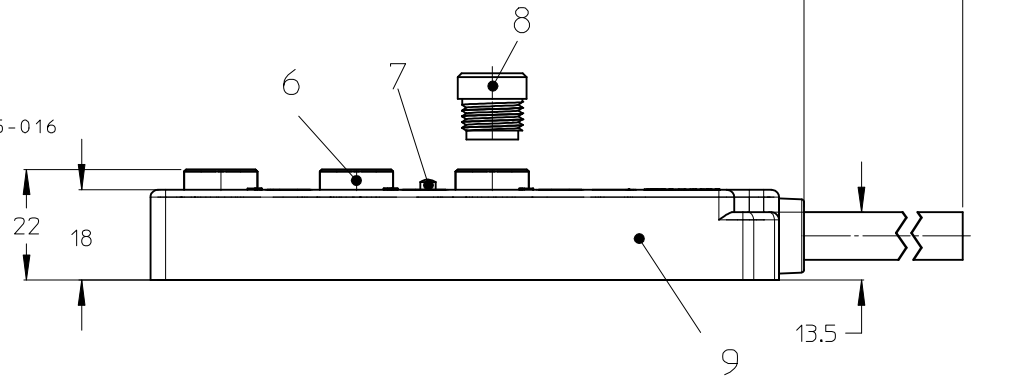
TEMPERATURE RANGE: -25°C to + 85°C
 (BOX ONLY)

FLAMMABILITY:
 Insert: V0
 HOUSING: V0
 POTTING MATERIAL: V0

2X FIXING HOLES
 SUITABLE FOR M4 SCREWS

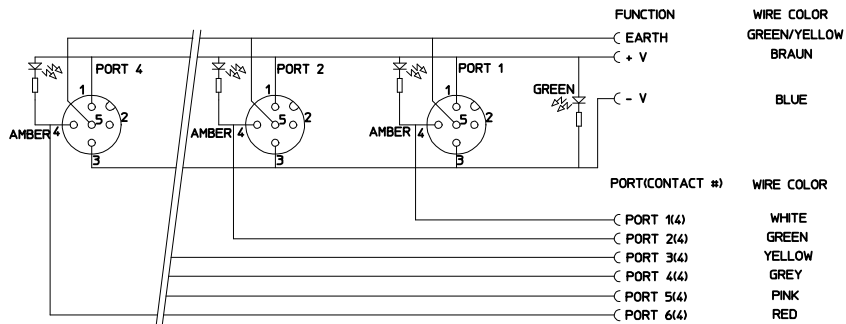


SEE TABLE 1+3

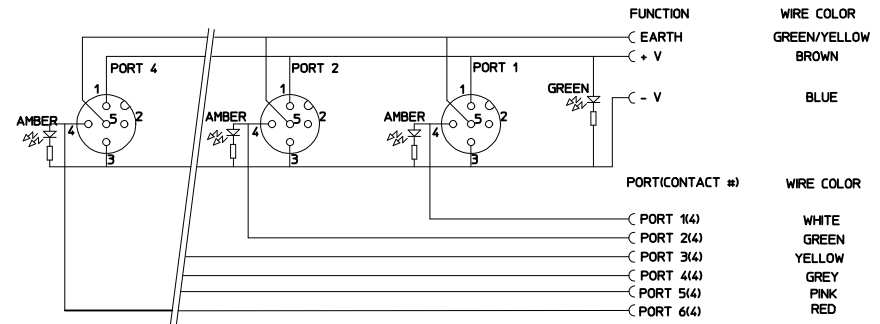


ENTER DESCRIPTION EC NO: IPG2014-0267 DRINKULETTE/METER 2013/09/24 CHYKARSILLER 2013/09/25 APPR: CBURGER 2013/10/07	QUALITY SYMBOLS	GENERAL TOLERANCES (UNLESS SPECIFIED)		DIMENSION STYLE MM ONLY		SCALE 1:1	DESIGN UNITS METRIC	THIRD ANGLE PROJECTION	
	▽=0 ◻=0	mm	INCH	DRAWN BY LSG	DATE 2011/08/18	TITLE MPIS M12 PNP NPN NOS 4P 6PT AC FE STR XM			
		4 PLACES ± --- ± ---	3 PLACES ± --- ± ---	CHECKED BY ZISMAYILOV	DATE 2011/12/14	molex DOCUMENT NO. SD-120005-013 SHEET NO. 1 OF 3			
		2 PLACES ± 0.1 ± ---	1 PLACE ± 0.2 ± ---	APPROVED BY CBURGER	DATE 2011/12/20				
	0 PLACE ± --- ± ---	ANGULAR ± 2 °		MATERIAL NO. SEE TABLE 2					
	DRAFT WHERE APPLICABLE MUST REMAIN WITHIN DIMENSIONS		SIZE A3		THIS DRAWING CONTAINS INFORMATION THAT IS PROPRIETARY TO MOLEX INCORPORATED AND SHOULD NOT BE USED WITHOUT WRITTEN PERMISSION				

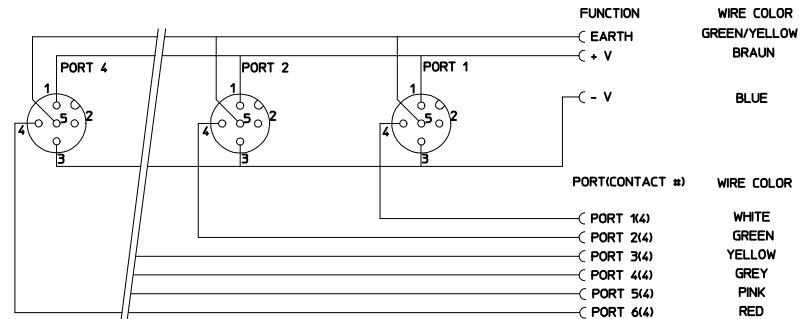
WIRING DIAGRAM SINGLE PORT NPN



WIRING DIAGRAM SINGLE PORT PNP



WIRING DIAGRAM SINGLE PORT NON LED



ENTER DESCRIPTION EC NO: IPG2014-0267 DRW:ULETTEWMEIER 2013/09/24 CHKD:RSILLER 2013/09/25 APPR:CBURGER 2013/10/07 A3	QUALITY SYMBOLS ▽=0 ◻=0	GENERAL TOLERANCES (UNLESS SPECIFIED)		DIMENSION STYLE MM ONLY	SCALE 1:1	DESIGN UNITS METRIC	THIRD ANGLE PROJECTION
		4 PLACES ± --- ± --- 3 PLACES ± --- ± --- 2 PLACES ± 0.1 ± --- 1 PLACE ± 0.2 ± --- 0 PLACE ± --- ± ---	mm INCH ± --- ± --- ± 0.1 ± --- ± 0.2 ± --- ± --- ± ---	DRAWN BY DATE LSG 2011/08/18 CHECKED BY DATE ZISMAYILOV 2011/12/14 APPROVED BY DATE CBURGER 2011/12/20	TITLE MPIS M12 PNP NPN NOS 4P 6PT AC FE STR XM		
		ANGULAR ± 2 ° DRAFT WHERE APPLICABLE MUST REMAIN WITHIN DIMENSIONS		MATERIAL NO. SEE TABLE 2	DOCUMENT NO. SD-120005-013	SHEET NO. 2 OF 3	
		THIS DRAWING CONTAINS INFORMATION THAT IS PROPRIETARY TO MOLEX INCORPORATED AND SHOULD NOT BE USED WITHOUT WRITTEN PERMISSION					

