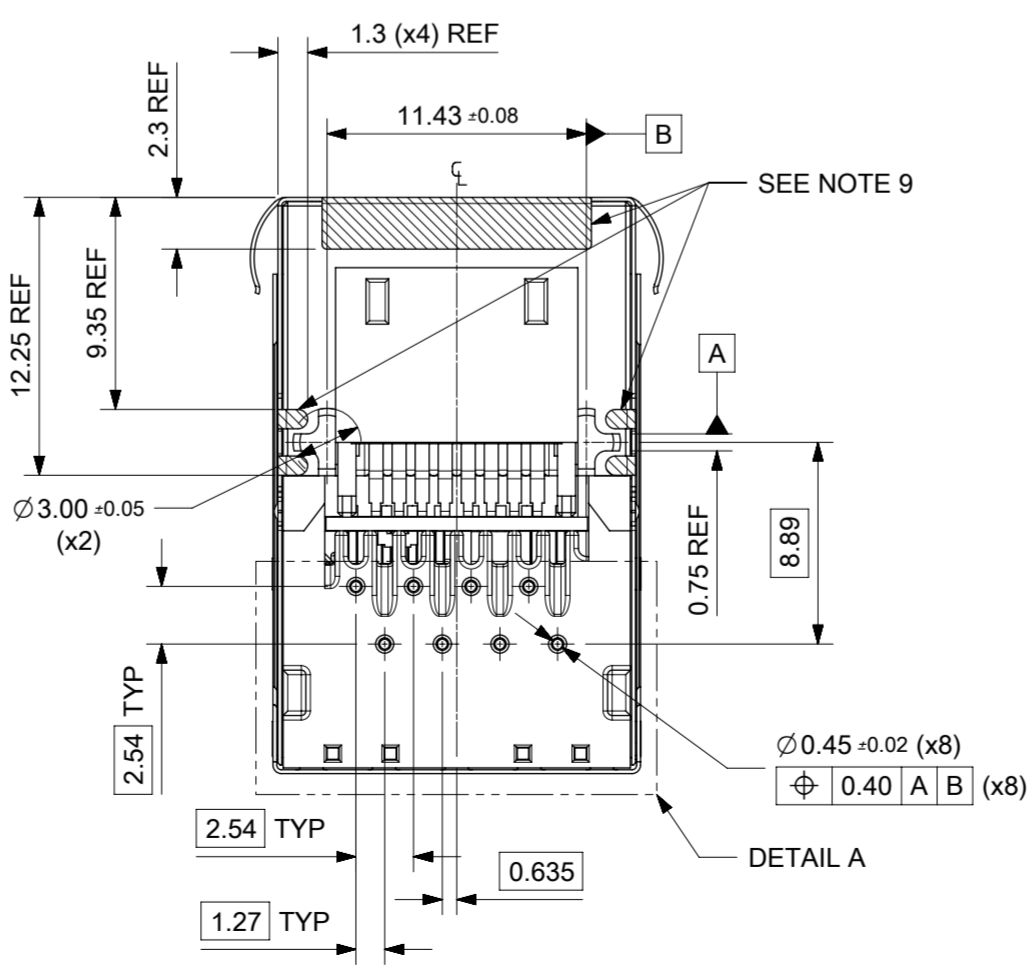
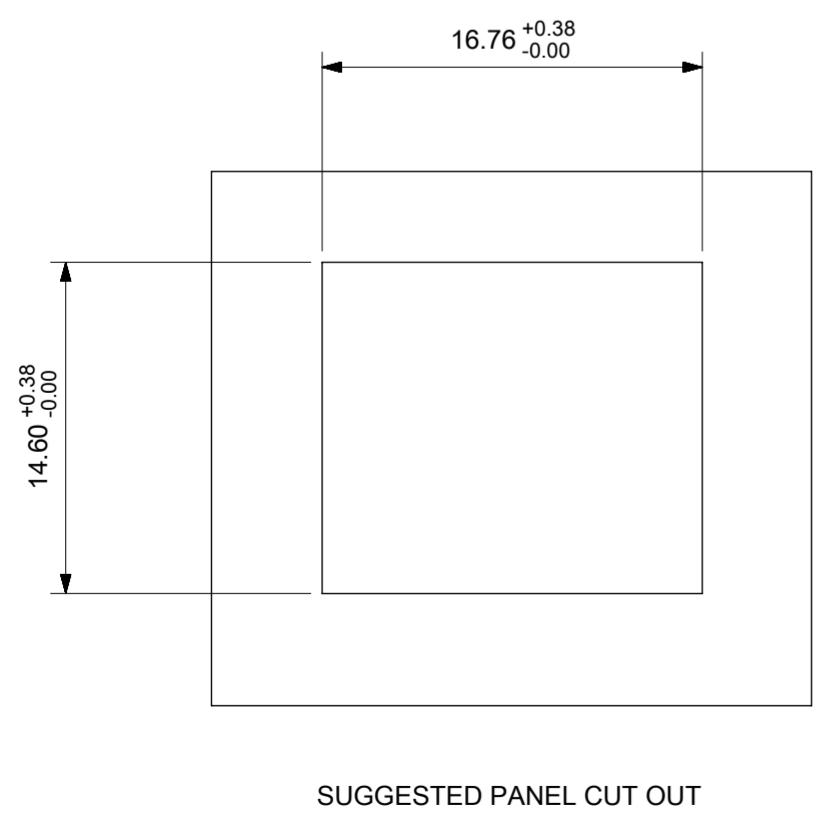
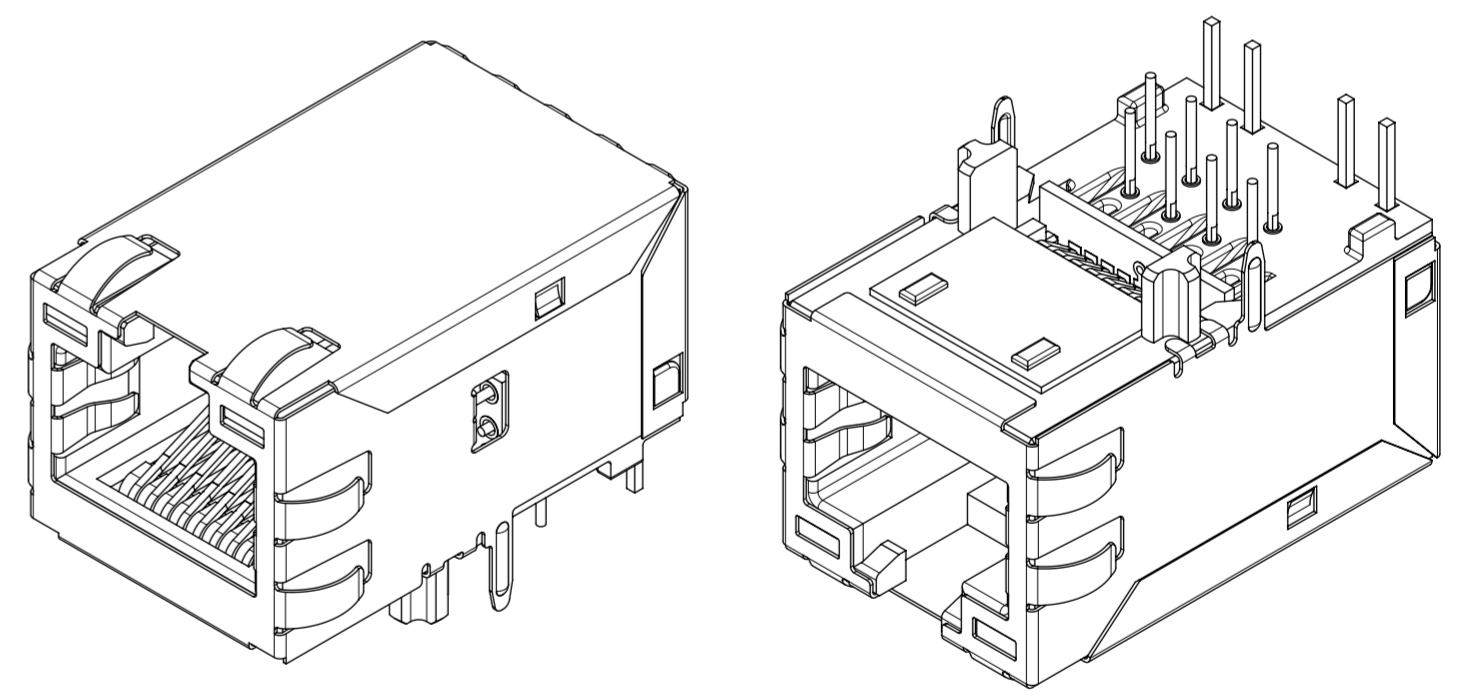
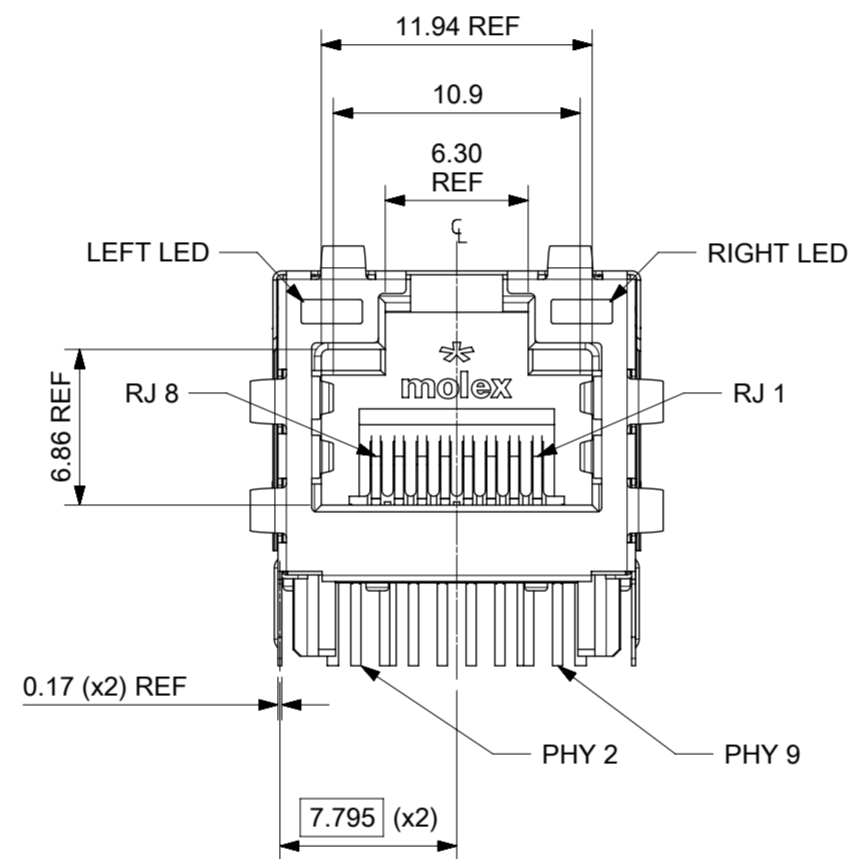
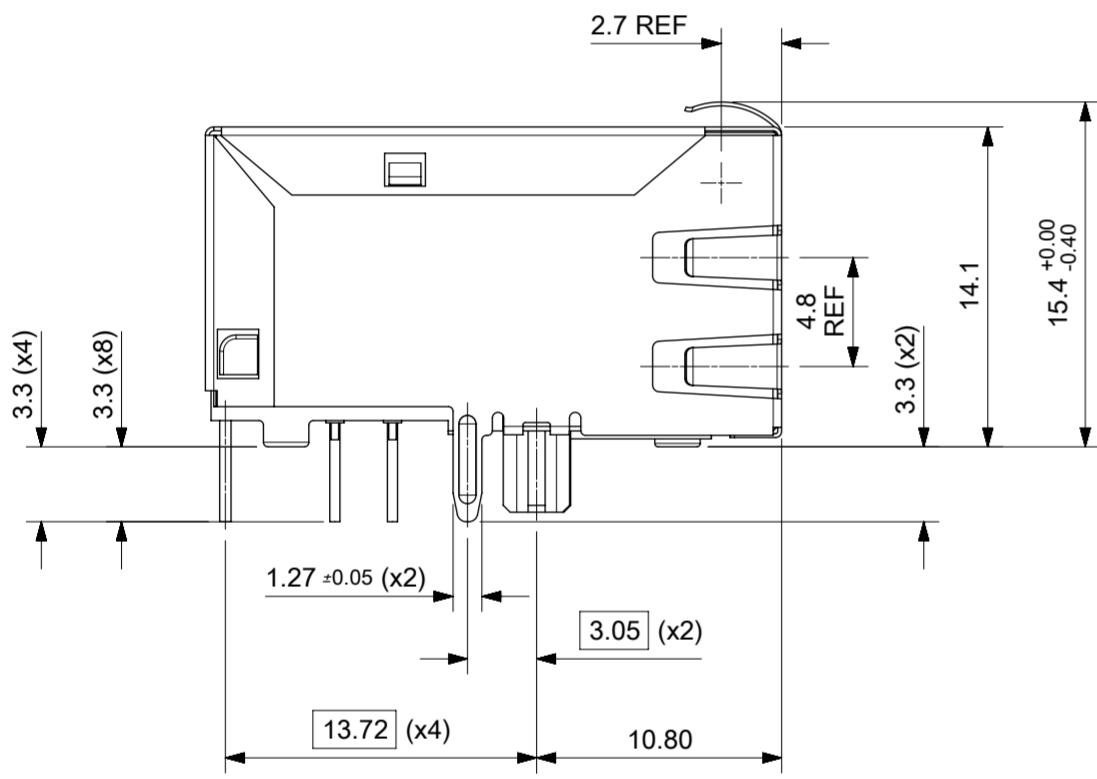
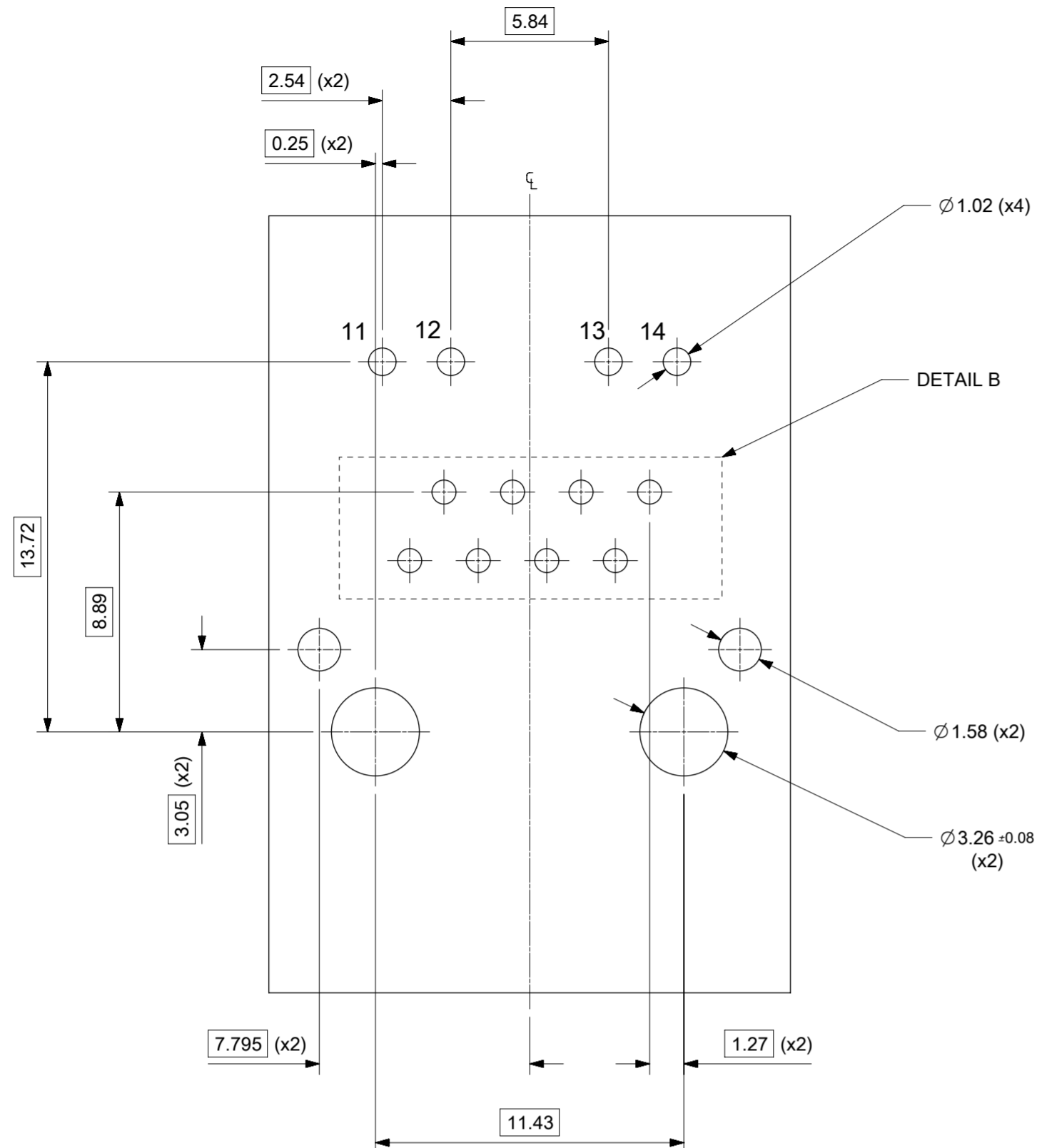


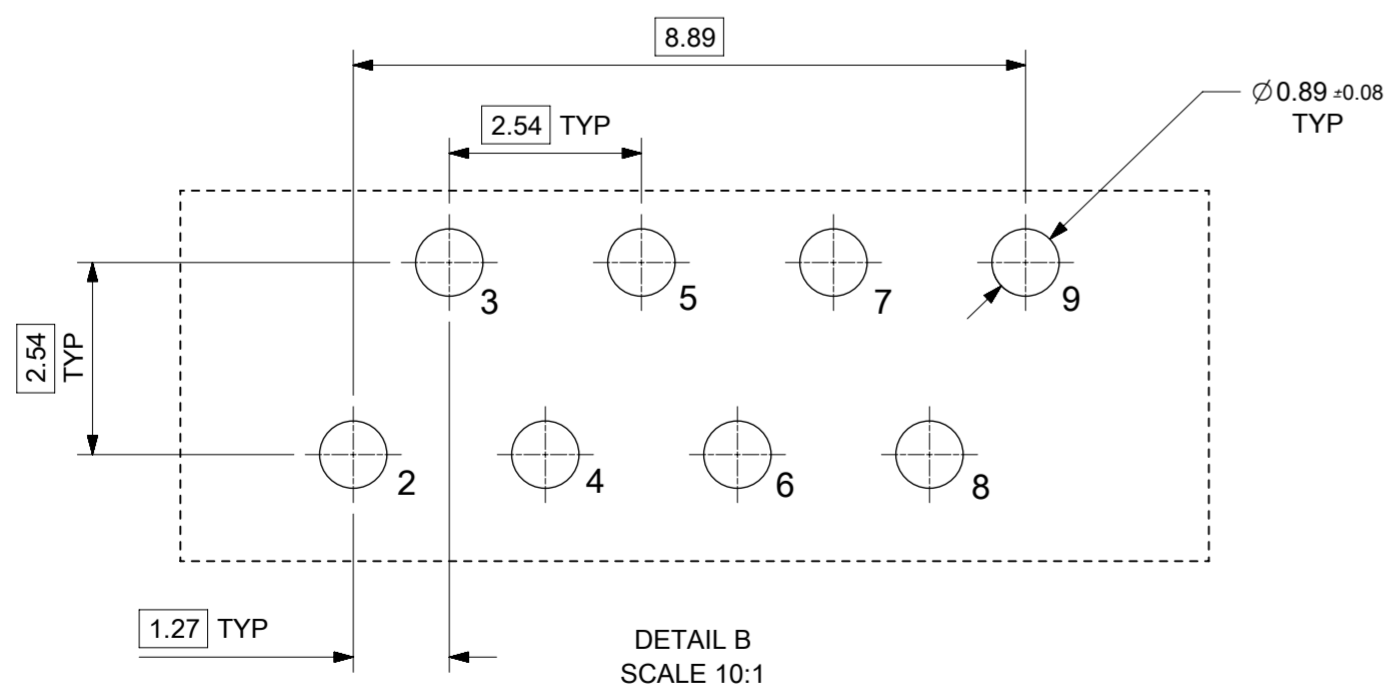
- NOTES:
- SHIELD MATERIAL: 0.17 mm THICK BRASS PRE-PLATED WITH NICKEL.
SOLDER TABS POST DIPPED WITH MIN. 1.27 μm TIN
 - HOUSING MATERIAL: LCP, BLACK, UL 94V-0.
 - TERMINALS MATERIAL: PHOSPHOR BRONZE.
RJ45 CONTACT PLATING: BASE NICKEL, GOLD FLASH OVER PALLADIUM NICKEL.
PHY SOLDER TAILS: COPPER ALLOY.
 - MATING INTERFACE ACCORDING TO IEC 60603-7 & TIA-1096-A.
 - PRODUCT SPECIFICATION: 934620001 PSP.
 - PACKAGING SPECIFICATION: 934620002 PSK TAPE AND REEL.
 - STAND OFF TO SYSTEM BOARD 0.30 mm MIN.
 - RECOMMENDED PCB THICKNESS: 1.57 mm REF.
 - SHIELD: AVOID ROUTING TRACES OR PLACING ANY VIAS BELOW THESE AREAS.
 - AREA FOR PICK AND PLACE: 5.0 mm x 8.0 mm
 - INSCRIPTION MARKED BY LASER:
1st : MOLEX
2nd : P/N (SEE BOM)
 - INSCRIPTION MARKED BY LASER:
DATE CODE(DAY/WEEK/YEAR)
 - MATERIAL COMPLIANT TO RoHS DIRECTIVE 2002/95/EC



THIS DRAWING CONTAINS INFORMATION THAT IS PROPRIETARY TO MOLEX ELECTRONIC TECHNOLOGIES, LLC AND SHOULD NOT BE USED WITHOUT WRITTEN PERMISSION													
UPDATED MAGBOX + 2KV EC NO: 117810 DRWN: SBRENNAN CHKD: DBYRNES APPR: STGRIFFIN	GENERAL TOLERANCES (UNLESS SPECIFIED)			DIMENSION UNITS	SCALE	 1" MXMAG 4 CORE FE IND							
	ANGULAR TOL ± 2.0 °			MM	3:1								
	4 PLACES ±	DBYRNES		DATE								2015/11/20	
	3 PLACES ±	DBYRNES		DATE								2016/09/19	
	2 PLACES ± 0.1	STGRIFFIN		DATE								2016/09/23	
1 PLACE ± 0.2	STGRIFFIN		DATE		2016/09/23		PRODUCT CUSTOMER DRAWING			SERIES	MATERIAL NUMBER	CUSTOMER	
0 PLACES ±	STGRIFFIN		DATE		2016/09/23		93755			SEE TABLE ON SHEET 2		GENERAL MARKET	
DRAFT WHERE APPLICABLE MUST REMAIN WITHIN DIMENSIONS			DRAWING SIZE	THIRD ANGLE PROJECTION		DOCUMENT NUMBER: 937550002 DOC TYPE: PSD DOC PART: 000 SHEET NUMBER: 1 OF 3							
B1	A2												



SUGGESTED BOARD LAYOUT
FAST ETHERNET
VIEW FROM COMPONENT SIDE
ALL DIMS ARE REFERENCE



DETAIL B
SCALE 10:1
PIN CONFIGURATION
FOR FAST ETHERNET

PART NUMBER	LEFT LED	RIGHT LED
937555226	GREEN	YELLOW
937555225	GREEN	GREEN/YELLOW

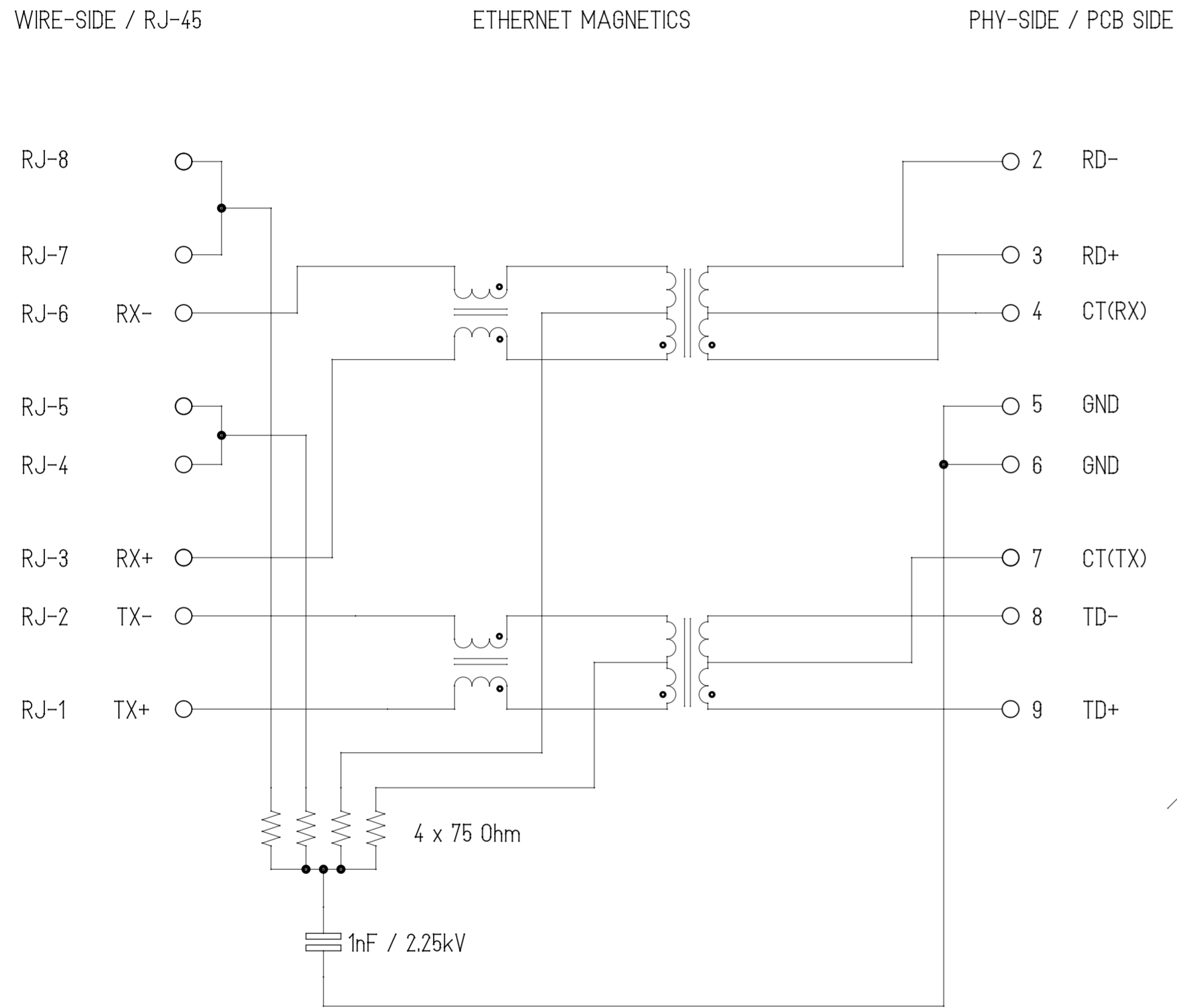
THIS DRAWING CONTAINS INFORMATION THAT IS PROPRIETARY TO MOLEX ELECTRONIC TECHNOLOGIES, LLC AND SHOULD NOT BE USED WITHOUT WRITTEN PERMISSION												
UPDATED MAGBOX + 2KV EC NO: 117810 DRWN: SBRENNAN CHKD: DBYRNES APPR: STGRIFFIN	2017/06/06		2017/06/12		2017/06/12		GENERAL TOLERANCES (UNLESS SPECIFIED)		DIMENSION UNITS		SCALE	
	4 PLACES		±		3 PLACES		±		MM		5:1	
	3 PLACES		±		2 PLACES		± 0.1		DRWN BY		DATE	
	2 PLACES		±		1 PLACE		± 0.2		DBYRNES		2015/11/20	
	1 PLACE		±		0 PLACES		±		CHK'D BY		DATE	
	0 PLACES		±		DRAFT WHERE APPLICABLE MUST REMAIN WITHIN DIMENSIONS		A2		STGRIFFIN		2016/09/23	
ANGULAR TOL ± 2.0 °				DRAWING SIZE		THIRD ANGLE PROJECTION		APPR BY		DATE		
SERIES		MATERIAL NUMBER		CUSTOMER		DRAWING SIZE		THIRD ANGLE PROJECTION		DATE		
93755		SEE TABLE ON SHEET 2		GENERAL MARKET		A2		STGRIFFIN		2016/09/23		
DOCUMENT NUMBER		DOC TYPE		DOC PART		SHEET NUMBER		SERIES		MATERIAL NUMBER		
937550002		PSD		000		2 OF 3		93755		SEE TABLE ON SHEET 2		

molex

1" MXMAG 4 CORE FE IND

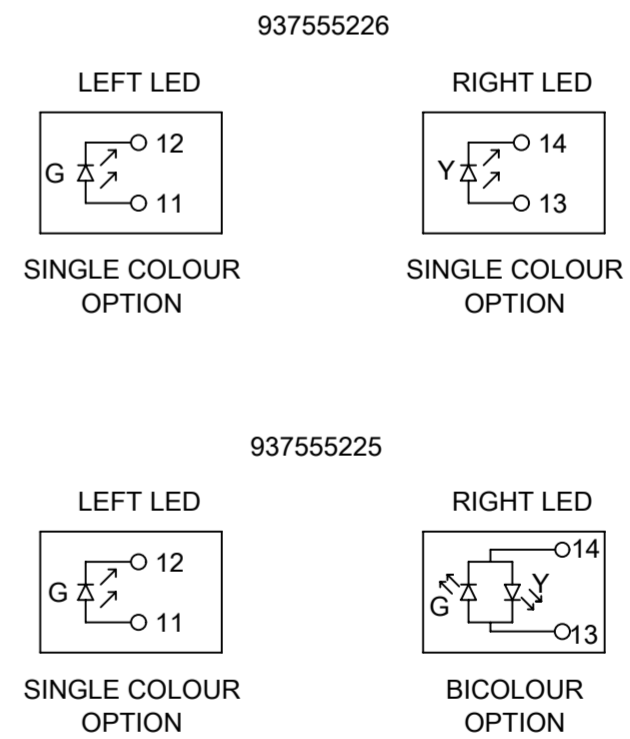
PRODUCT CUSTOMER DRAWING

RJ-45 CONTACTS



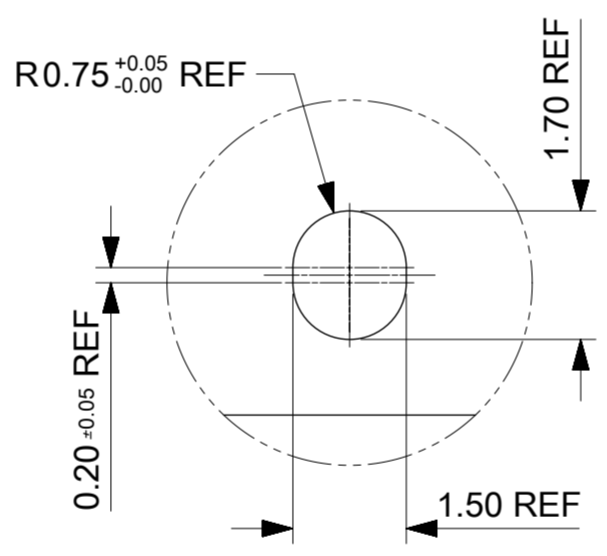
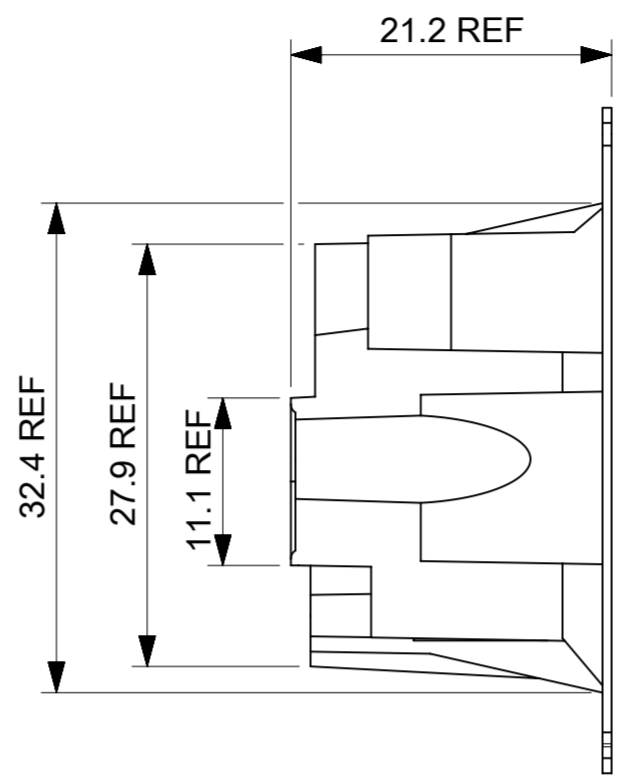
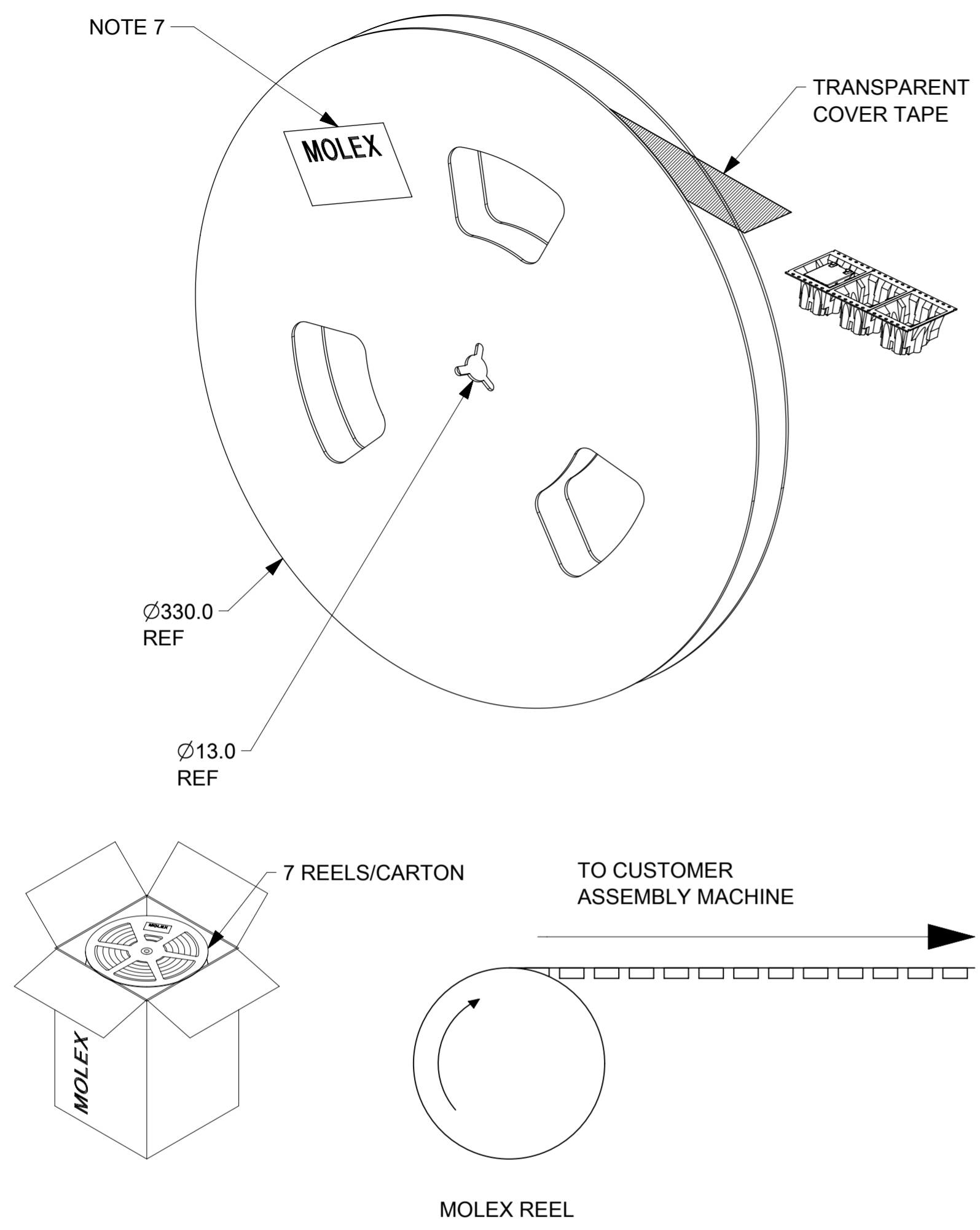
ETHERNET TERMINALS

Description	Value	
OCL @100 kHz, 0.1 V, 8 mA DC bias (-40°C to +85°C)	350 µH min.	
OCL @100 kHz, 0.1 V, 8 mA DC bias (25°C)		
Turns ratio	1CT:1CT	
Transmission characteristics @ 25°C, all four pairs		
Insertion Loss		
Frequency (MHz)	Limits (dB max.)	Typical Values (dB max.)
1.0-9.9 MHz	0.4+0.1*log(F)	0.5 @ 10 MHz
10-49.9 MHz	0.5+0.3*log(F/10)	0.7 @ 50 MHz
50-79.9 MHz	1+1.4*log(F/80)	1.0 @ 80 MHz
80-100 MHz	1.3+3*log(F/100)	1.3 @ 100 MHz
Return Loss		
Frequency (MHz)	Limits (dB min.)	Typical Values (dB min.)
1.0-39.9 MHz	18	18 @ 40 MHz
40-100 MHz	12-20*log(F/80)	10 @ 100 MHz
CMR		
Frequency (MHz)	Limits (dB min.)	Typical Values (dB min.)
1.0-100 MHz	30	30 @ 100 MHz
Next		
Frequency (MHz)	Limits (dB min.)	Typical Values (dB min.)
1.0-39.9 MHz	35	35 @ 40 MHz
40-100 MHz	33-20*log(F/50)	27 @ 100 MHz
Isolation PHY to wire side	2.25 kVDC / 60 s	

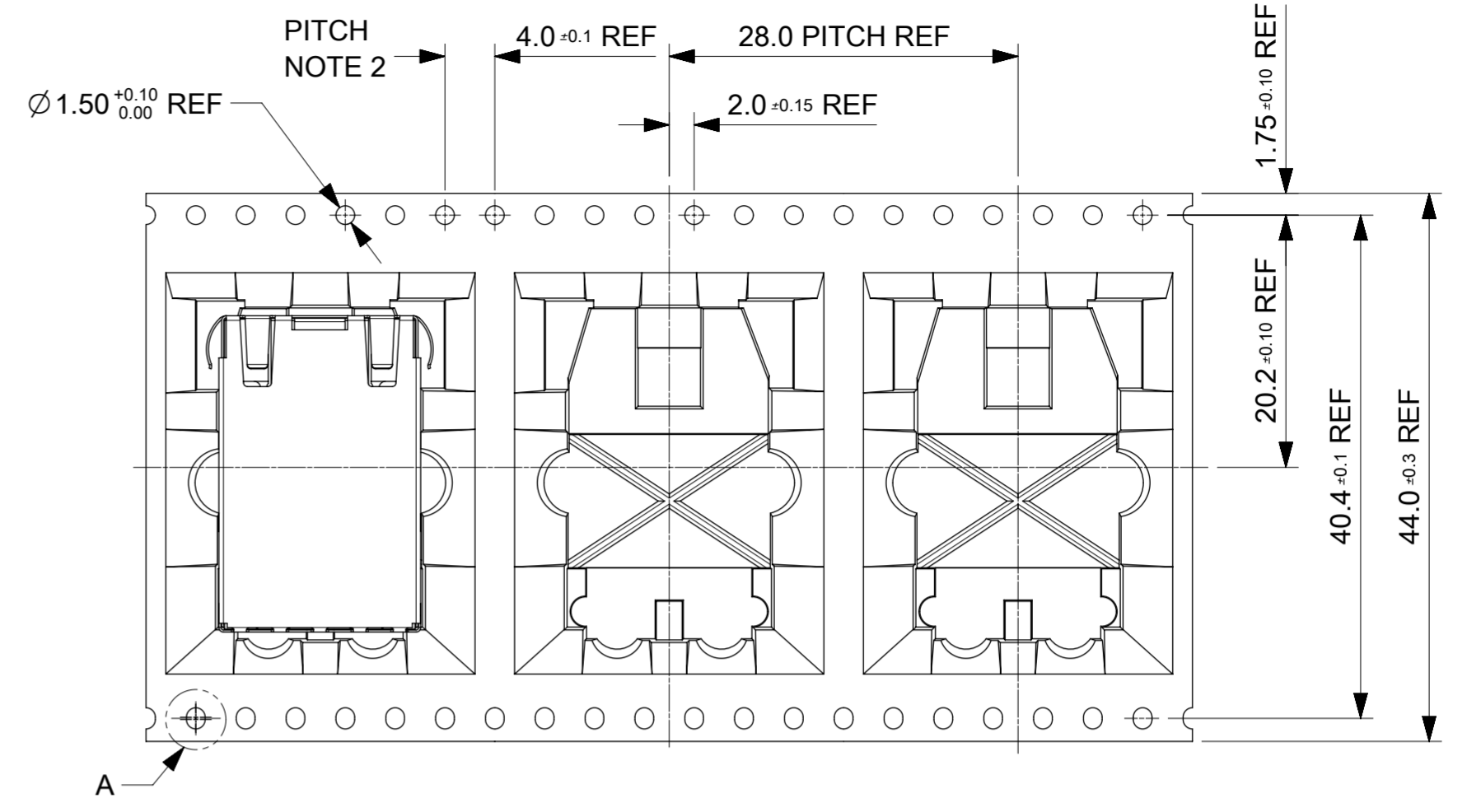


THIS DRAWING CONTAINS INFORMATION THAT IS PROPRIETARY TO MOLEX ELECTRONIC TECHNOLOGIES, LLC AND SHOULD NOT BE USED WITHOUT WRITTEN PERMISSION

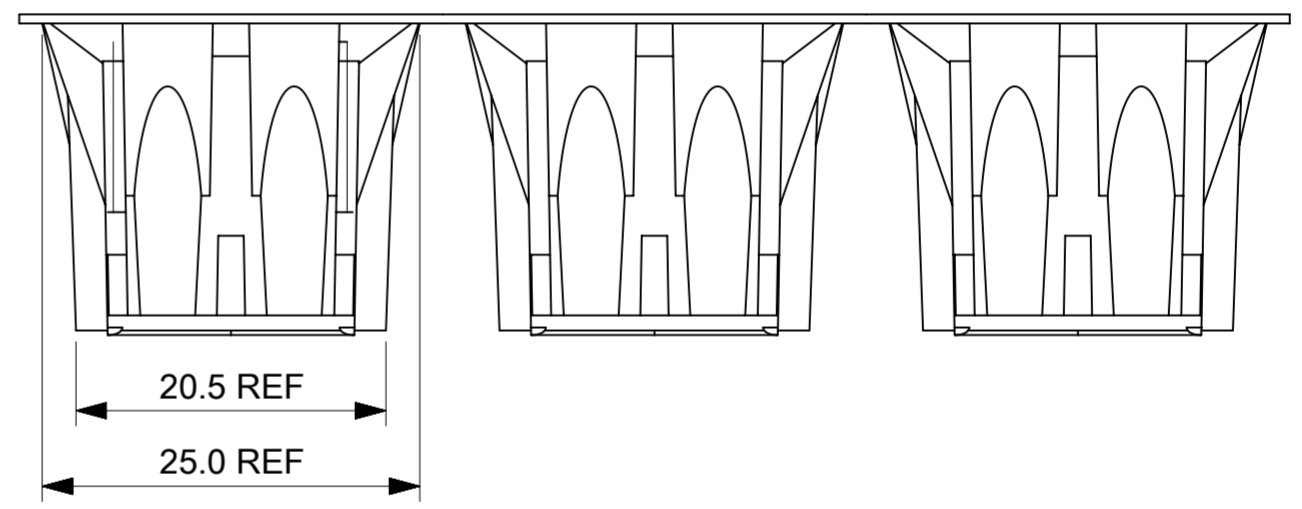
EC NO: 117810 DRWN: SBRENNAN CHKD: DBYRNES REV: APPR: STGRIFFIN	2017/06/06	2017/06/12	2017/06/12	GENERAL TOLERANCES (UNLESS SPECIFIED)	DIMENSION UNITS	SCALE			
	4 PLACES ±			ANGULAR TOL ± 2.0 °	MM	1:1			
	3 PLACES ±				DRWN BY	DATE			
	2 PLACES ± 0.1				DBYRNES	2015/11/20			
1 PLACE ± 0.2				CHK'D BY	DATE	1" MXMAG 4 CORE FE IND			
0 PLACES ±				DBYRNES	2016/09/19				
DRAFT WHERE APPLICABLE MUST REMAIN WITHIN DIMENSIONS					APPR BY	DATE	PRODUCT CUSTOMER DRAWING		
					STGRIFFIN	2016/09/23	SERIES	MATERIAL NUMBER	CUSTOMER
					DRAWING SIZE	THIRD ANGLE PROJECTION	93755	SEE TABLE ON SHEET 2	GENERAL MARKET
					A2		DOCUMENT NUMBER	PSD	DOC PART SHEET NUMBER
							937550002	000	3 OF 3



DETAIL A
SCALE 10:1



DIRECTION OF UNREELING →



BLISTER TAPE PART NO	PIECES/REEL	PIECES/CARTON	REELS/CARTON
990449058	107	749	7

- NOTES:
- MATERIAL:
CARRIER TAPE: VOLUME CONDUCTIVE POLYSTYRENE, 0.60 mm REF THICK, BLACK.
COVER TAPE: COLD SEAL POLYESTER, 0.06 mm REF THICK TRANSPARENT.
 - PITCH TOLERANCE OVER ANY 10 PITCHES ± 0.2 mm
 - PEEL FORCE OF COVER TAPE IS 0.1 N TO 1.3 N
AT A MAXIMUM SPEED OF 300 mm/min ± 10 mm/min
 - PACKAGING SPECIFICATION: 934620002 PSK.
 - REFERENCE TO IEC 60286-3 EXCEPT WHERE NOTED
 - LABELS SHALL BE PLACED ON THE EACH REEL AND ON THE CARTON
 - THE LABEL ON THE REEL SHALL BE PLACED ON THE OUTSIDE OF THE FLANGE
OPPOSITE THE ROUND SPROCKET HOLES
 - ALL DIMENSIONS ARE REFERENCE ONLY

THIS DRAWING CONTAINS INFORMATION THAT IS PROPRIETARY TO MOLEX ELECTRONIC TECHNOLOGIES, LLC AND SHOULD NOT BE USED WITHOUT WRITTEN PERMISSION

DIMENSION UNITS mm	SCALE 1:2	CURRENT REV DESC: ORIGINAL RELEASE		molex		
GENERAL TOLERANCES (UNLESS SPECIFIED)		EC NO: 624501				
ANGULAR TOL $\pm 2.0^\circ$	4 PLACES \pm	DRWN: DSHEA	2019/09/19	PRODUCT CUSTOMER DRAWING		
3 PLACES \pm	2 PLACES ± 0.1	CHK'D: DBYRNES	2019/09/26	DOCUMENT NUMBER		
1 PLACE ± 0.2	0 PLACES \pm	APPR: DBYRNES	2019/09/26	990449058		
DRAFT WHERE APPLICABLE MUST REMAIN WITHIN DIMENSIONS	THIRD ANGLE PROJECTION	INITIAL REVISION: DRWN: DSHEA APPR: DBYRNES	2019/09/19 2019/09/26	MATERIAL NUMBER 990449058	CUSTOMER GENERAL MARKET	DOC TYPE PSD
		DRAWING A2-SIZE	SERIES 99044			DOC PART K
						REVISION A
						SHEET NUMBER 1 OF 1

DOCUMENT STATUS	P1	RELEASE DATE	2019/09/26	09:14:35
-----------------	----	--------------	------------	----------