

MATERIALS AND FINISHES

BODY STAINLESS STEEL
PLATED PASSIVATED

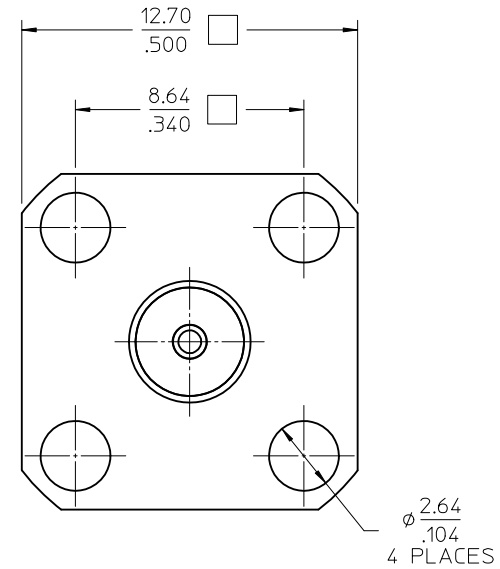
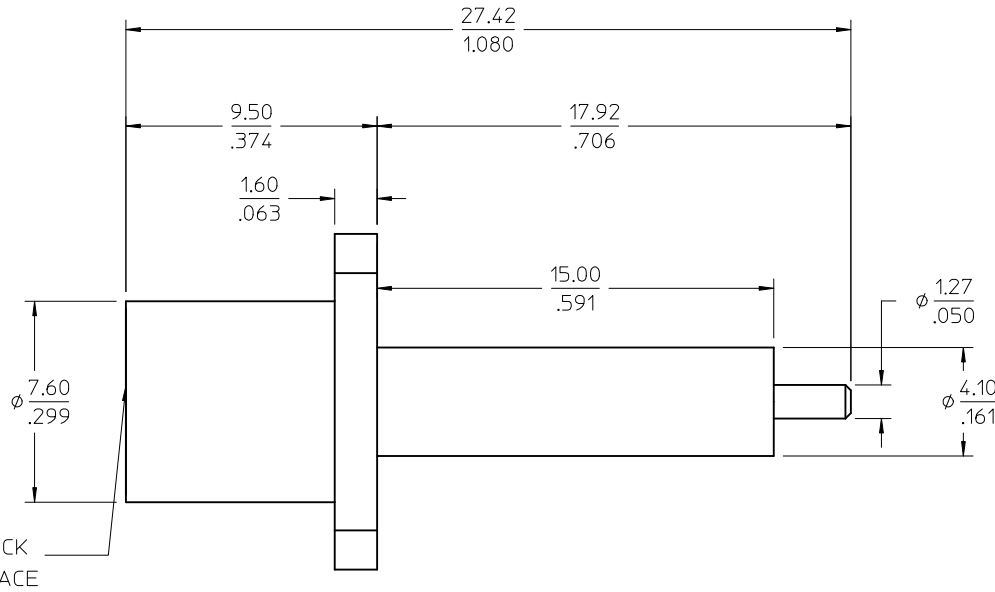
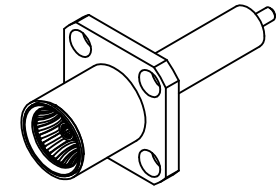
RETAINING CLIP CARBON STEEL
PLATED NICKEL

CONTACT SLEEVE BRASS
PLATED GOLD

CENTER CONTACT, SPRINGS BERYLLIUM COPPER
PLATED GOLD

SLEEVE STAINLESS STEEL
PLATED GOLD

INSULATOR TEFLON



BMA JACK
INTERFACE

MIL-STD-348A, FIG. 321.2	INTERFACE
SPECIFICATION	DESCRIPTION

73298-0090	TRAY
PART NO	PACKAGING

CHG: UPDATED VIEW PER RF12-E090	EC NO: URF2012-0708	DRWNR:YEH	CHKD: APPR:HUANG	DESCRIPTION	2012/05/29	2012/06/15	QUALITY SYMBOLS	GENERAL TOLERANCES (UNLESS SPECIFIED)		DIMENSION STYLE		SCALE	DESIGN UNITS	THIRD ANGLE PROJECTION
								mm	INCH	MM/IN	7:1	METRIC		
REV	A1							4 PLACES	±	---	---	DRAWN BY	DATE	TITLE
								3 PLACES	±	---	---	SSS	2006/10/19	BMA JACK,4H FLANGE MOUNT
								2 PLACES	±	---	---	CHECKED BY	DATE	50 OHMS, EWR-3220
								1 PLACE	±	---	---	TEF	2006/10/19	BMA-JR/F
								0 PLACE	±	---	---	APPROVED BY	DATE	molex
												JDW	2006/10/19	SD-73298-009
														1 OF 1
														THIS DRAWING CONTAINS INFORMATION THAT IS PROPRIETARY TO MOLEX INCORPORATED AND SHOULD NOT BE USED WITHOUT WRITTEN PERMISSION