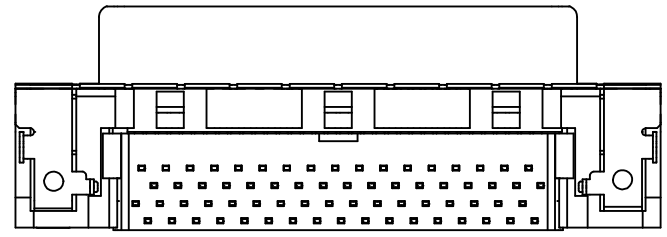
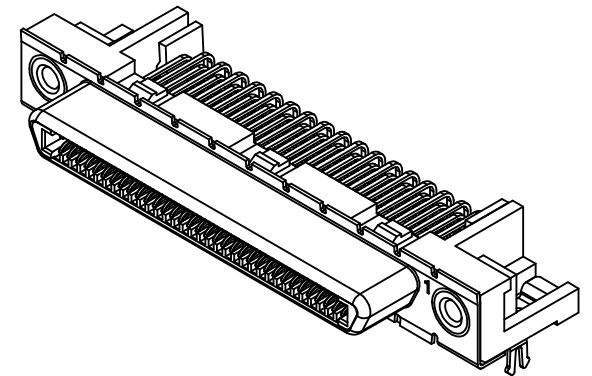
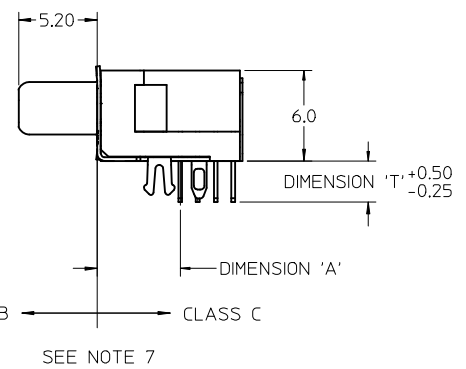
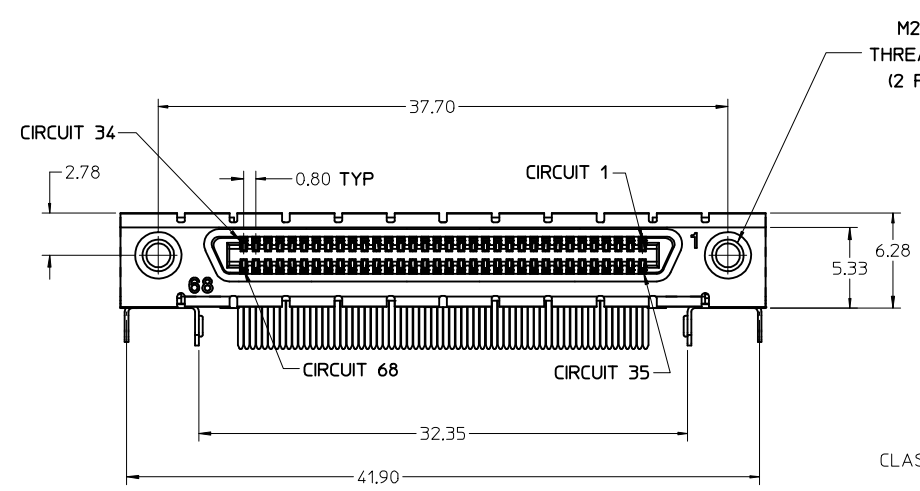
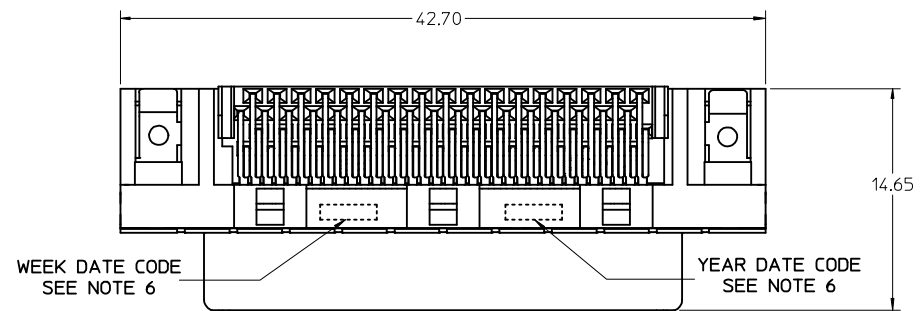


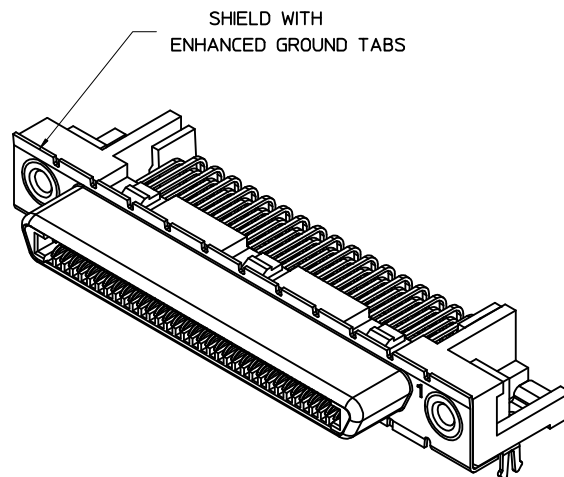
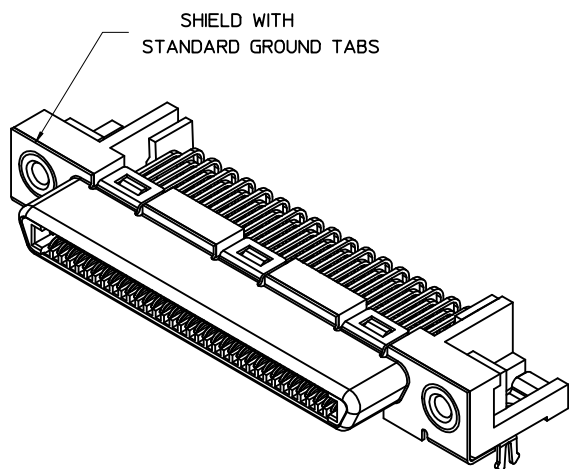
**NOTES:**

1. MATERIALS:  
 HOUSING: GLASS-FILLED LIQUID CRYSTAL POLYMER (LCP), UL94 V-0, COLOR: BLACK  
 TAIL ALIGNER: GLASS-FILLED LIQUID CRYSTAL POLYMER (LCP),  
 TERMINAL: PHOSPHOR BRONZE  
 BRACKET: BRASS  
 SHELL: STEEL  
 INSERT: BRASS
2. FINISHES:  
 TERMINAL: 0.05-0.25 MICROMETERS GOLD FLASH IN CRITICAL AREA  
 OVER 0.75 MICROMETERS MINIMUM PALLADIUM NICKEL IN  
 CRITICAL AREA. 1.87 MICROMETERS MINIMUM TIN IN  
 SOLDER TAIL AREA OVER A NICKEL UNDERPLATE.  
 SHIELD: 3.8 MICROMETERS MINIMUM BRIGHT TIN OVER NICKEL.  
 INSERT: 2.54 MICROMETERS MINIMUM NICKEL.
3. PART CONFORMS TO MOLEX PRODUCT SPECIFICATION PS-71425-9999.
4. PACKAGED PER PK-71430-0101.
5. APPLICABLE STANDARDS: EIA-3652 AND SFF-8441.
6. DATE CODE: YR/WK PER EIA-476-A.
7. PRODUCT COMPLIES WITH COSMETIC SPECIFICATION PS-45499-002.  
 SEE SIDE VIEW FOR SURFACE CLASSIFICATIONS.
8. TORQUE TO INSTALL SCREWLOCKS INTO THREADED INSERTS:  
 0.34 Nm MAXIMUM.



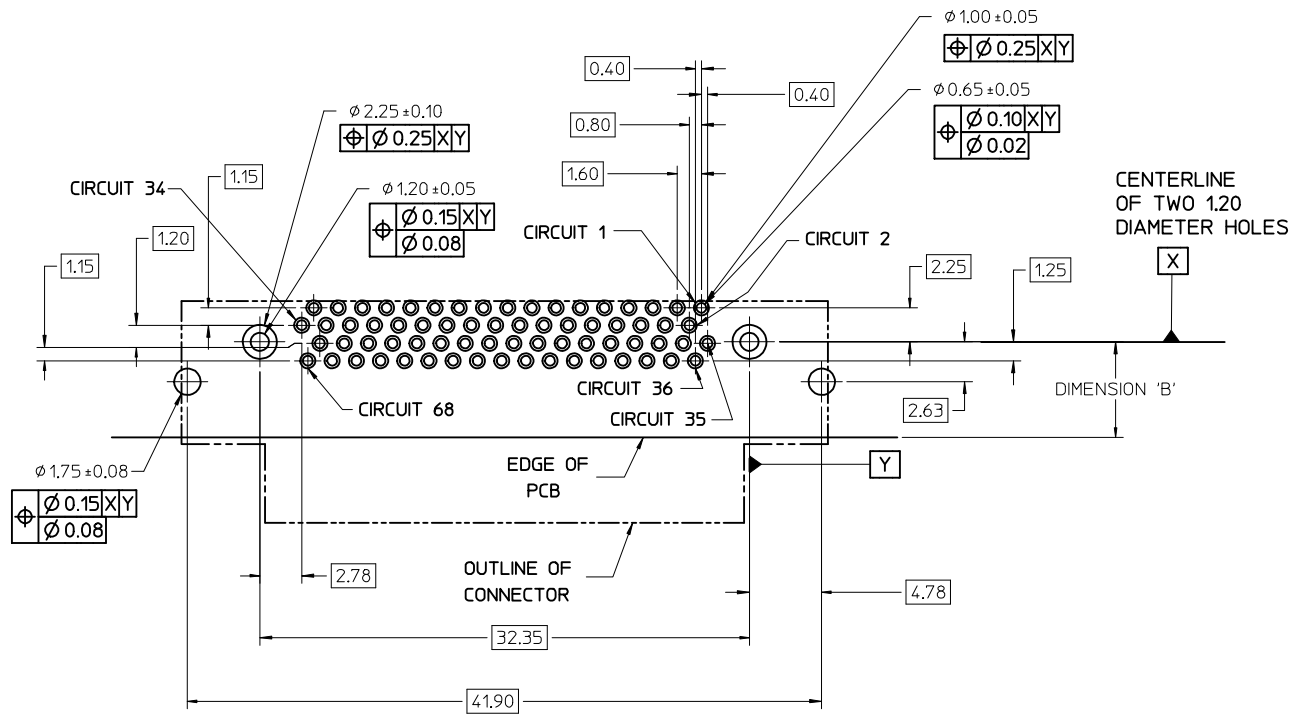
<b>FIX TAIL TOLERANCE</b> EC NO: UCP2012-3896 DRW: BARKER 2012/05/29 CHKD: MWLF APPR: SMILLER 2012/08/31	QUALITY SYMBOLS ∇=0 ∇=0 ∇=0	GENERAL TOLERANCES (UNLESS SPECIFIED)		DIMENSION STYLE <b>MM ONLY</b>		SCALE 4:1	DESIGN UNITS METRIC	THIRD ANGLE PROJECTION	
			mm	INCH	DRAWN BY	DATE	TITLE		
			4 PLACES ± ---	± ---	KSTILES	11/14/2002	VHDCl RIGHT ANGLE ASSEMBLY		
			3 PLACES ± ---	± ---	CHECKED BY	DATE	mox SD-71430-015		
		2 PLACES ± 0.13	± ---	KSTILES	11/15/2002	SHEET NO. 1 OF 3			
		1 PLACE ± 0.25	± ---	APPROVED BY	DATE	THIS DRAWING CONTAINS INFORMATION THAT IS PROPRIETARY TO MOLEX INCORPORATED AND SHOULD NOT BE USED WITHOUT WRITTEN PERMISSION			
		0 PLACE ±	±	MBNAKIS	11/22/2002				
		ANGULAR ±1/2°		MATERIAL NO.		DOCUMENT NO.			
		DRAFT WHERE APPLICABLE MUST REMAIN WITHIN DIMENSIONS		SEE SHEET 2		SD-71430-015			

PCB THICKNESS	PART NUMBER	TAIL LENGTH *T* (SEE FIGURE FOR TOLERANCE)	ENHANCED GROUND TABS	SCREWLOCKS	TAIL LOC. *A*	HOLE LOCATION *B*
1.60	71430-0101	2.08	NO	NONE	5.5	6.50 MAXIMUM
1.60	71430-0007	2.08	NO	LOOSE IN BAGS		
1.60	71430-0005	2.08	YES	NONE		
1.60	71430-0008	2.08	YES	LOOSE IN BAGS		
2.36	71430-0268	2.71	NO	NONE		
2.36	71430-0006	2.71	NO	INSTALLED		
2.36	71430-0004	2.71	YES	NONE		
2.36	71430-0009	2.71	YES	INSTALLED		
2.36	71430-0016	2.71	NO	LOOSE IN BAGS		
2.36	71430-0019	2.71	YES	LOOSE IN BAGS		
2.36	71430-0012	2.71	YES	NONE	5.3	6.30 MAXIMUM
1.60	71430-0013	2.08	YES	NONE		



OPTIONAL SCREWLOCK  
PART NUMBER 71433-0002

SEE SHEET 1 EC NO: UCP2012-3896 DRWN:BBARKER 2012/05/29 CHKD:MMOLFE APPR:SMILLER 2012/08/31	QUALITY SYMBOLS	GENERAL TOLERANCES (UNLESS SPECIFIED)		DIMENSION STYLE <b>MM ONLY</b>		SCALE 4:1	DESIGN UNITS METRIC	THIRD ANGLE PROJECTION	
	▽=0	mm	INCH	DRAWN BY KSTILES	DATE 11/14/2002	TITLE <b>VHDCI RIGHT ANGLE ASSEMBLY</b>			
	▽=0	4 PLACES ± ---	± ---	CHECKED BY	DATE				
	▽=0	3 PLACES ± ---	± ---	APPROVED BY MBAKIS	DATE 11/22/2002	MATERIAL NO. <b>SD-71430-015</b>			
▽=0	2 PLACES ± 0.13	± ---	DRAFT WHERE APPLICABLE MUST REMAIN WITHIN DIMENSIONS						
	1 PLACE ± 0.25	± ---	SIZE <b>C</b>		THIS DRAWING CONTAINS INFORMATION THAT IS PROPRIETARY TO MOLEX INCORPORATED AND SHOULD NOT BE USED WITHOUT WRITTEN PERMISSION				
	0 PLACE ±	±			DOCUMENT NO.		SHEET NO.		
							2 OF 3		



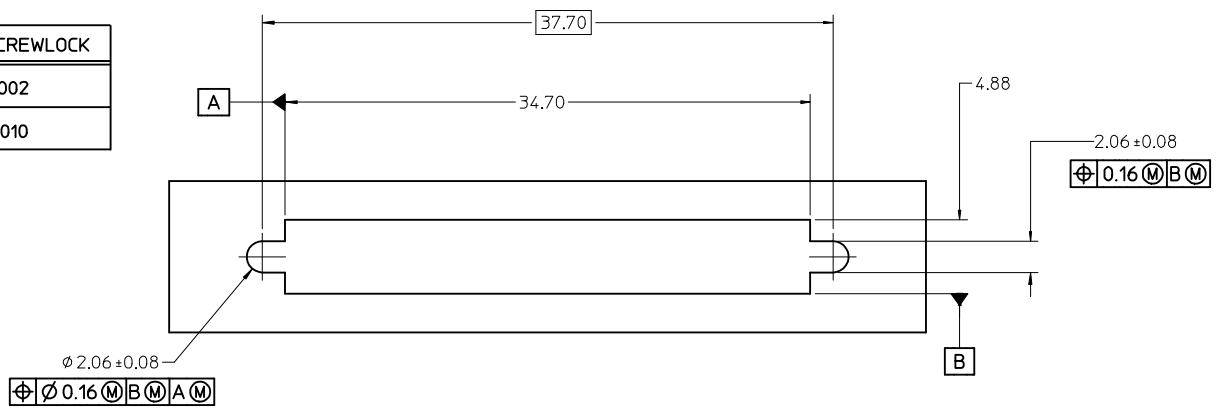
NOTES:

1. FOR FULL MATE WITH PLUG, PANEL THICKNESS SHOULD NOT EXCEED 1.0mm.

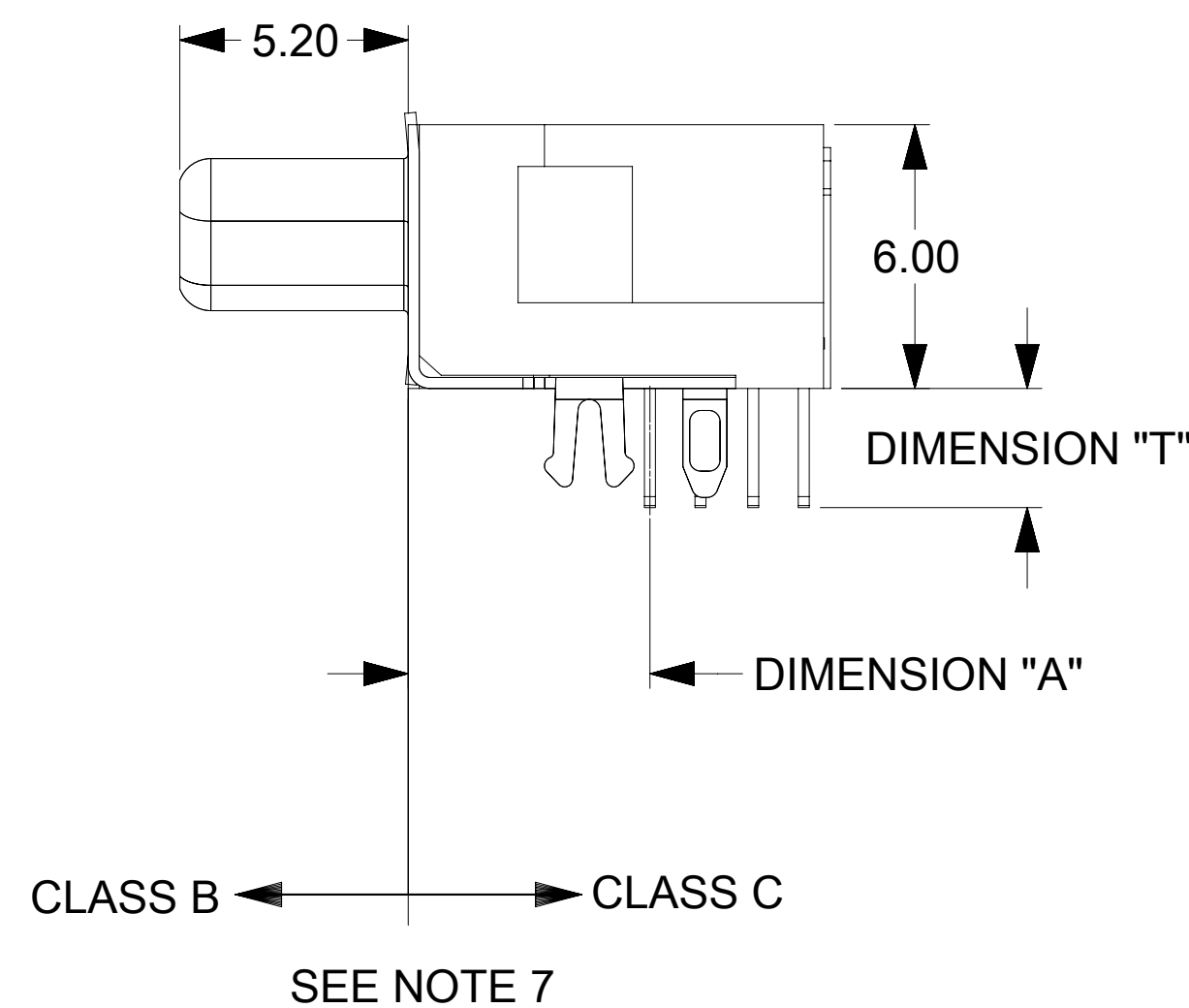
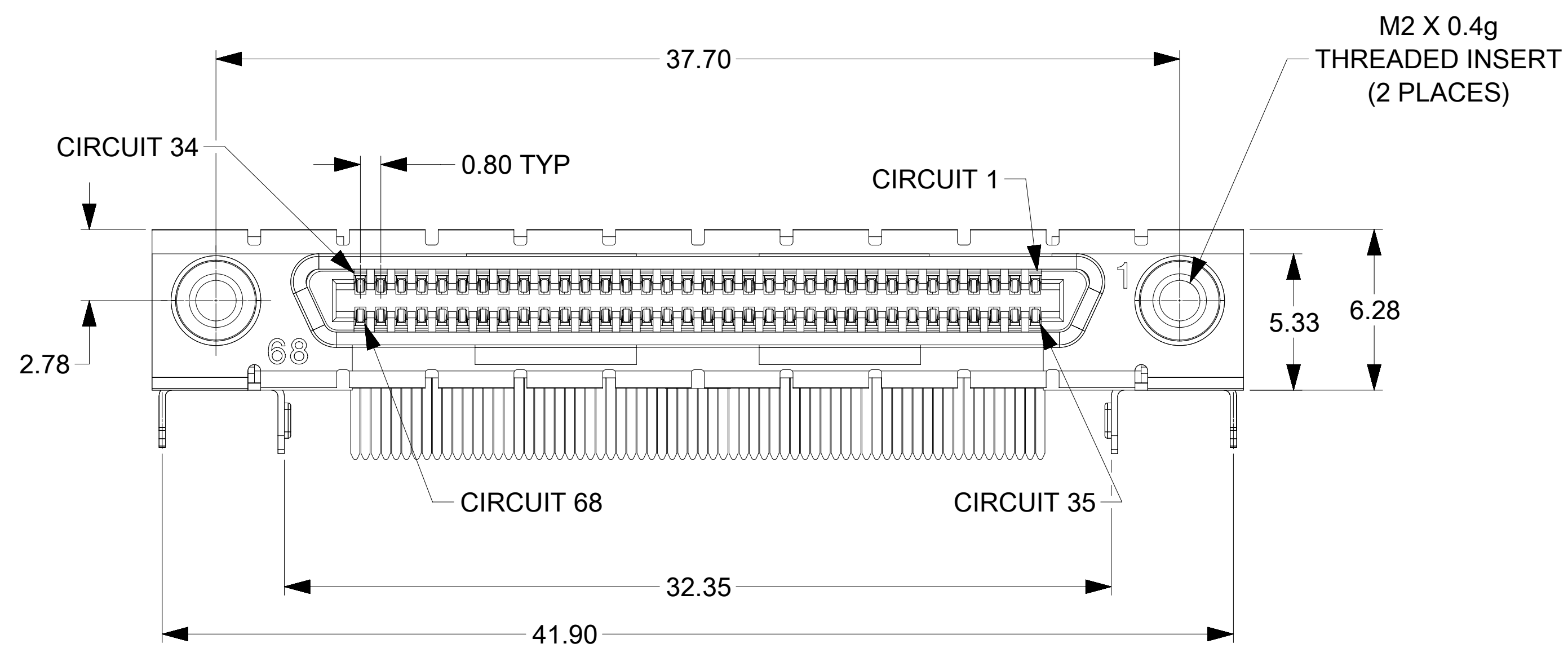
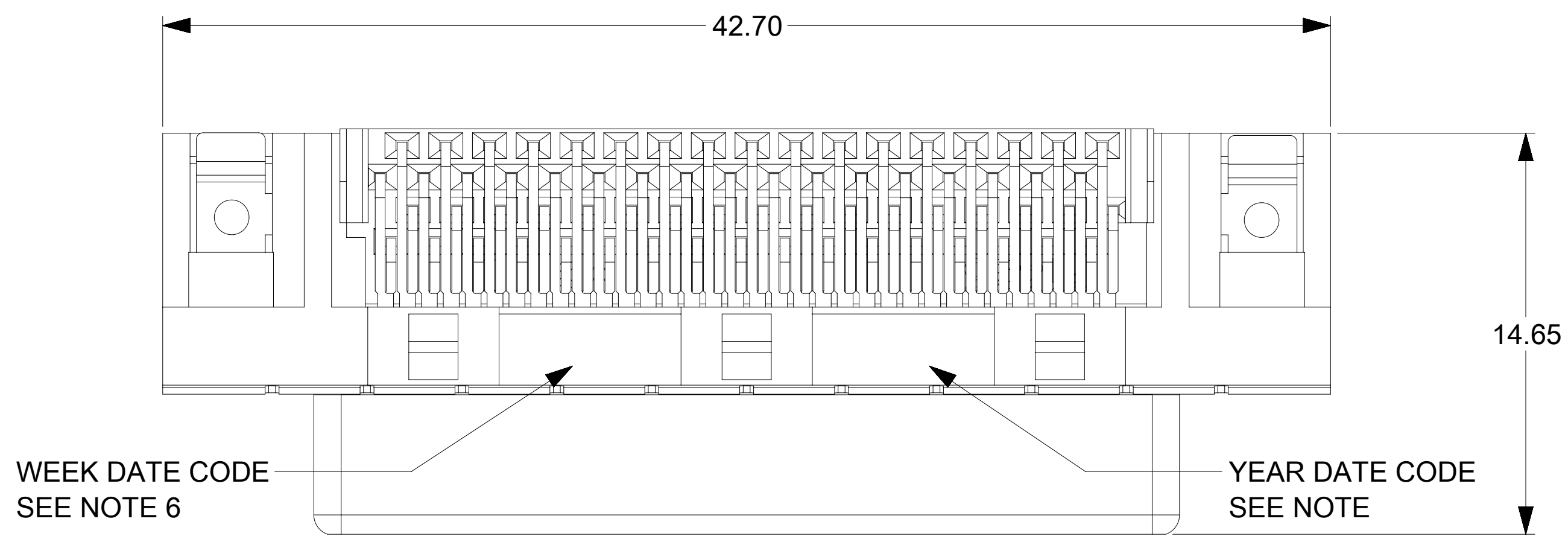
FUNCTIONAL MATING WITH MOLEX PLUG CAN STILL BE MAINTAINED WITH PANELS AS THICK AS 2.5mm (BUT PLUG AND RECEPTACLE WILL NOT BE FULLY MATED).

2. GUIDELINES FOR CHOOSING A MOLEX SCREWLOCK:

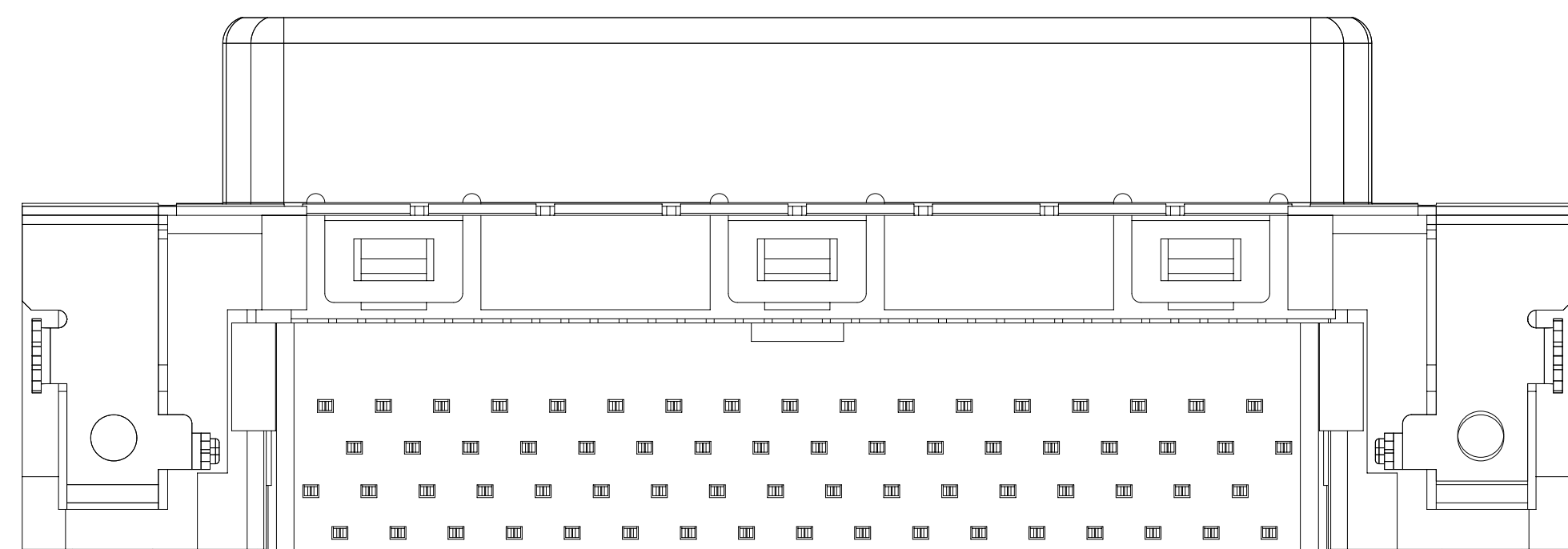
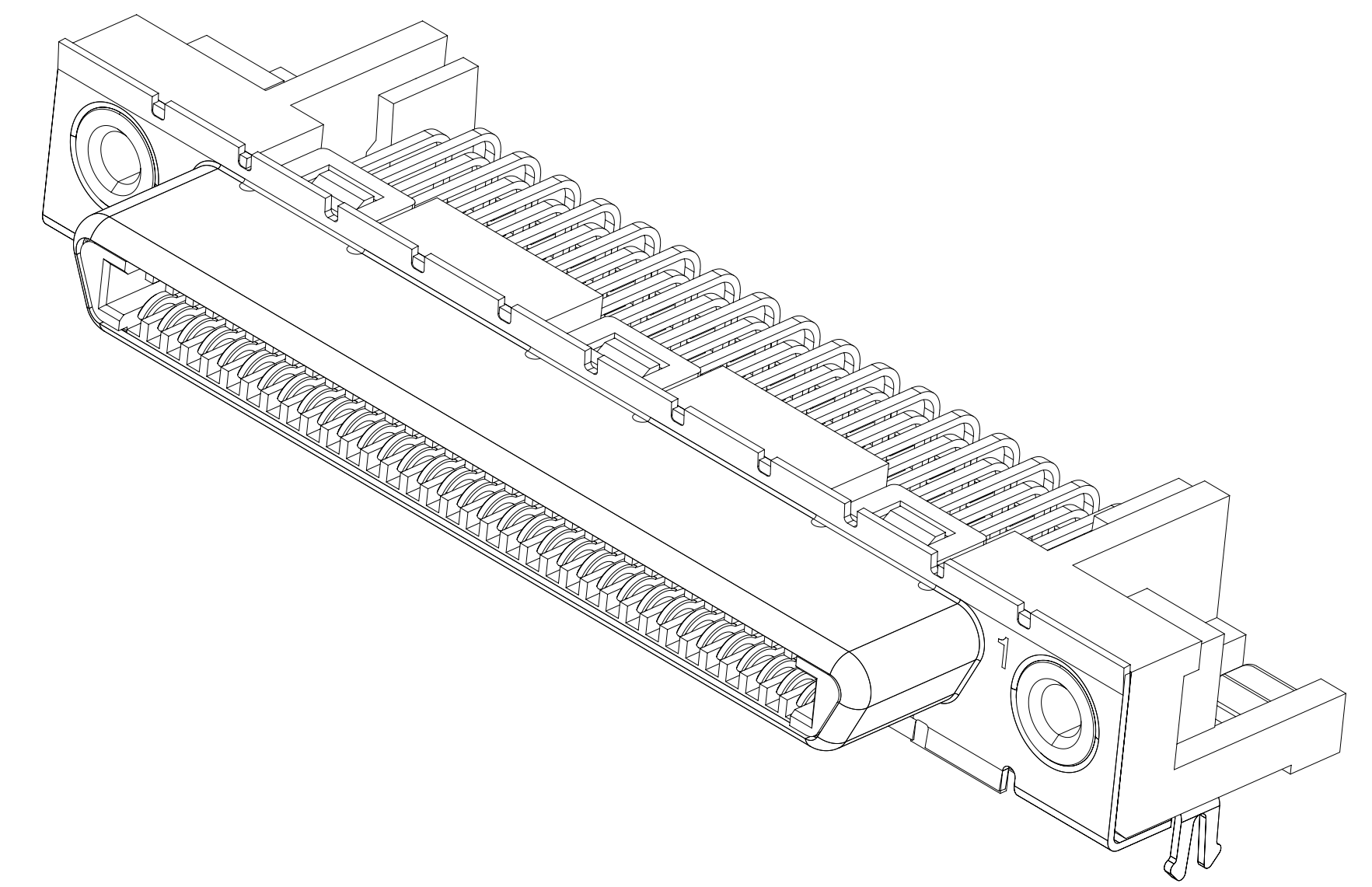
PANEL THICKNESS	RECOMMENDED SCREWLOCK
LESS THAN OR EQUAL TO 1.00 MM	71433-0002
1.01 TO 2.15 MM	71433-0010



SEE SHEET 1 EC NO: UCP2012-3896 DRAWN:BBARKER 2012/05/29 CHKD:HWOLFE APPR:SMILLER 2012/08/31	QUALITY SYMBOLS ▽=0 ▽=0 ▽=0	GENERAL TOLERANCES (UNLESS SPECIFIED)		DIMENSION STYLE MM ONLY		SCALE 4:1	DESIGN UNITS METRIC	THIRD ANGLE PROJECTION		
		4 PLACES ± --- ± ---	3 PLACES ± --- ± ---	2 PLACES ± 0.13 ± ---	1 PLACE ± 0.25 ± ---	0 PLACE ± ±	DRAWN BY DATE KSTILES 11/14/2002		CHECKED BY DATE KSTILES 11/15/2002	
		ANGULAR ±1/2°		MATERIAL NO.		APPROVED BY DATE MBNAKIS 11/22/2002		DOCUMENT NO.		SHEET NO.
		DRAFT WHERE APPLICABLE MUST REMAIN WITHIN DIMENSIONS		SEE SHEET 2		SD-71430-015		3 OF 3		
THIS DRAWING CONTAINS INFORMATION THAT IS PROPRIETARY TO MOLEX INCORPORATED AND SHOULD NOT BE USED WITHOUT WRITTEN PERMISSION										

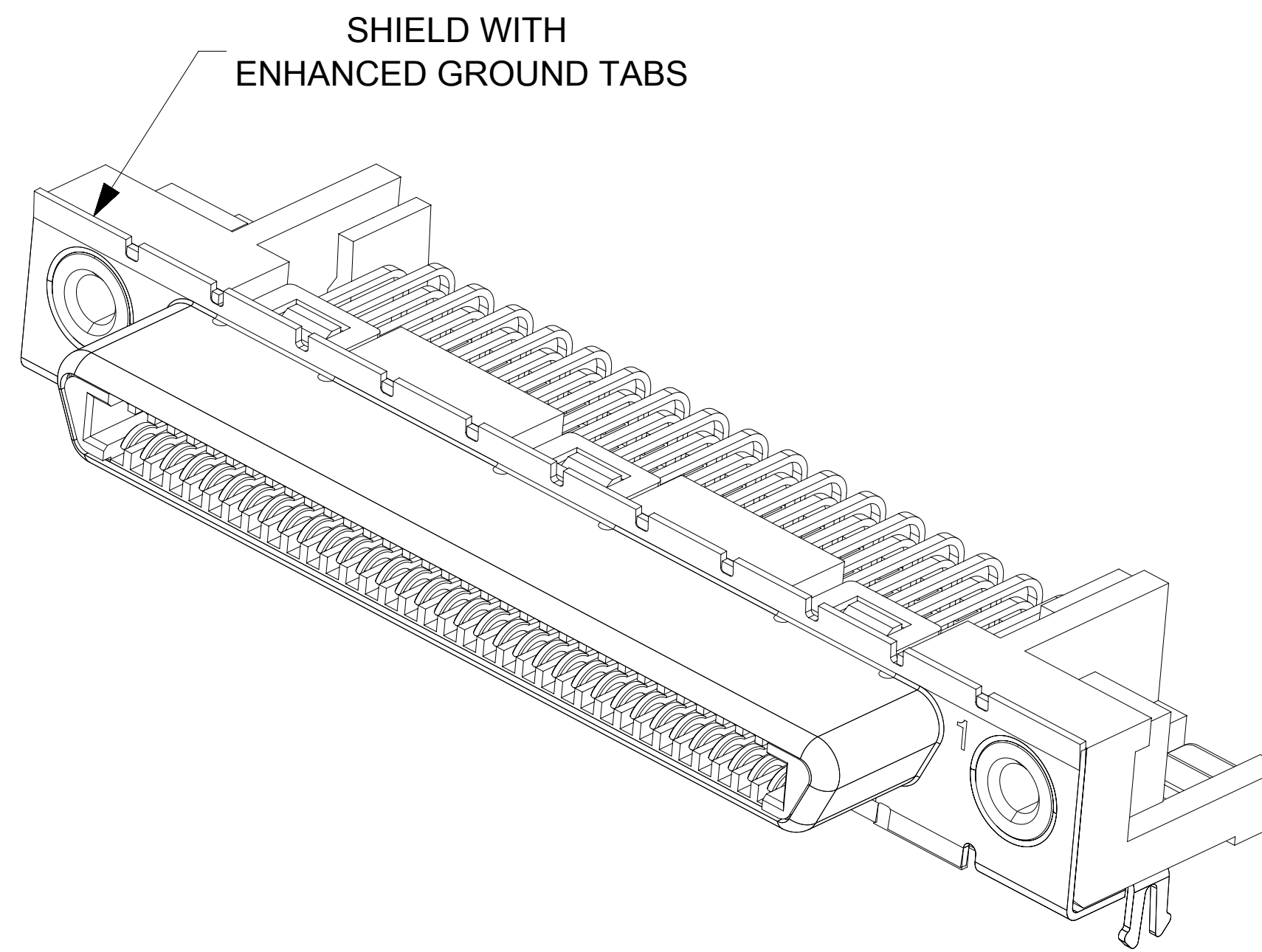
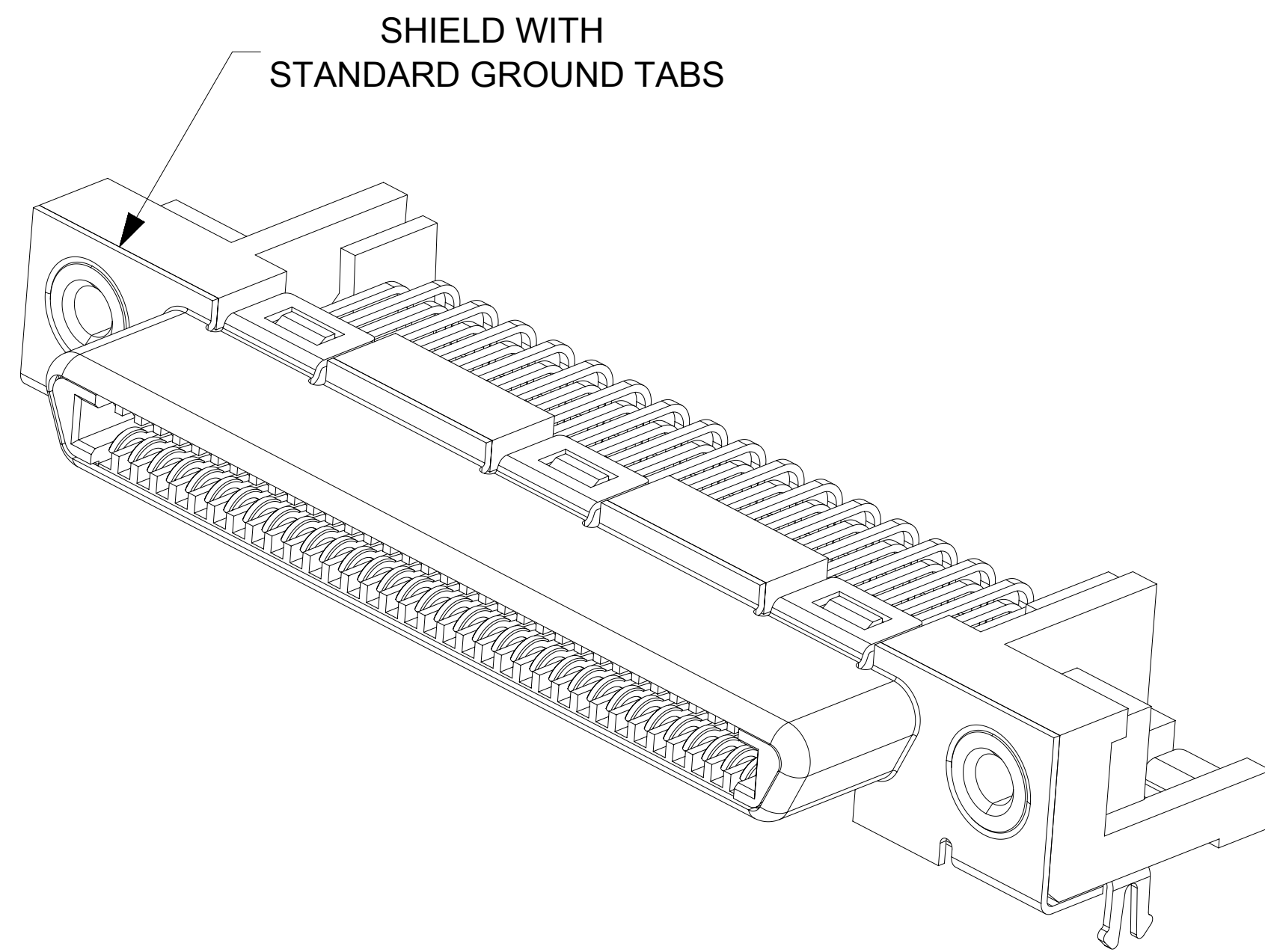


- NOTES:
- MATERIALS:  
HOUSING: GLASS FILLED LIQUID CRYSTAL POLYMER (LCP),  
UL94 V-0, COLOR:BLACK  
TAIL ALIGNER: GLASS FILLED LIQUID CRYSTAL POLYMER (LCP),  
TERMINAL: HIGH PERFORMANCE COPPER ALLOY  
SHIELD: STEEL  
THREADED INSERT: BRASS
  - FINISHES:  
TERMINAL: 0.05-0.25 MICROMETERS GOLD FLASH IN CRITICAL AREA  
OVER 0.75 MICROMETERS MINIMUM PALLADIUM NICKEL IN  
CRITICAL AREA. 1.87 MICROMETERS MINIMUM MATTE TIN IN  
SOLDER TAIL AREA. OVERALL NICKEL UNDERPLATE.  
BRACKET: 5.0 MICROMETERS MINIMUM BRIGHT TIN OVER A COPPER UNDERPLATE.  
SHIELD: 3.8 MICROMETERS MINIMUM BRIGHT TIN OVER 1.3 MICROMETERS  
MINIMUM NICKEL OVER COPPER FLASH (OPTIONAL).  
THREADED INSERT: 2.54 MICROMETERS MINIMUM NICKEL.
  - PART CONFORMS TO MOLEX PRODUCT SPECIFICATION PS-71425-9999.
  - PRODUCT IS PACKAGED PER PK-71430-0101.
  - APPLICABLE STANDARDS: EIA-3652 AND SFF-8441.
  - DATE CODE: YR/WK PER EIA-476-A.
  - PRODUCT COMPLIES WITH COSMETIC SPECIFICATION PS-45499-002.  
SEE SIDE VIEW FOR SURFACE CLASSIFICATIONS.



SYMBOLS	THIS DRAWING CONTAINS INFORMATION THAT IS PROPRIETARY TO MOLEX ELECTRONIC TECHNOLOGIES, LLC AND SHOULD NOT BE USED WITHOUT WRITTEN PERMISSION			
	DIMENSION UNITS	SCALE	CURRENT REV DESC:	
▽ = 0	mm	4:1	EC NO: 624744	
▽ = 0	GENERAL TOLERANCES (UNLESS SPECIFIED)		DRWN: JWALLACE01	2019/09/25
▽ = 0	ANGULAR TOL	± 0.5°	CHK'D: RNELSON	2019/09/26
▽ = 0	4 PLACES	±	APPR: RNELSON	2019/09/26
▽ = 0	3 PLACES	±	INITIAL REVISION:	
▽ = 0	2 PLACES	± 0.13	DRWN: BBARKER	2011/02/17
▽ = 0	1 PLACE	± 0.25	APPR: SMILLER	2011/02/25
▽ = 0	0 PLACES	±	THIRD ANGLE PROJECTION	
▽ = 0	DRAFT WHERE APPLICABLE MUST REMAIN WITHIN DIMENSIONS		DRAWING	SERIES
▽ = 0			D-SIZE	71430
			MATERIAL NUMBER	CUSTOMER
			SD-71430-3000	GENERAL MARKET
			DOC TYPE	DOC PART
			PSD	001
			REVISION	D
			SHEET NUMBER	
			1 OF 3	

PCB THICKNESS	PART NUMBER	TAIL LENGTH "T" +0.50/0.25	ENHANCED GROUND TABS	TAIL LOCATION "A"	PCB HOLE LOCATION "B"
1.60		2.08	NO	5.50	6.50 MAXIMUM
1.60		2.08	NO		
1.60		2.08	YES		
1.60		2.08	YES		
2.36		2.71	NO		
2.36		2.71	NO		
2.36		2.71	YES		
2.36		2.71	YES		
2.36		2.71	NO		
2.36	71430-3019	2.71	YES		
2.79	71430-3020	3.62	YES	5.30	6.30 MAXIMUM
2.36		2.71	YES		
1.60		2.08	YES		



APPROVED BY: .....

TITLE: .....

COMPANY: .....

DATE: .....

SYMBOLS	THIS DRAWING CONTAINS INFORMATION THAT IS PROPRIETARY TO MOLEX ELECTRONIC TECHNOLOGIES, LLC AND SHOULD NOT BE USED WITHOUT WRITTEN PERMISSION			
	DIMENSION UNITS	SCALE	CURRENT REV DESC:	
▽ = 0	mm	6:1	<b>molex</b> VHDCI RIGHT ANGLE ASSEMBLY PRODUCT CUSTOMER DRAWING	
▽ = 0	GENERAL TOLERANCES (UNLESS SPECIFIED)			
▽ = 0	ANGULAR TOL ± 0.5°			
▽ = 0	4 PLACES	±		
▽ = 0	3 PLACES	±		
▽ = 0	2 PLACES	± 0.13	EC NO: 624744 DRWN: JWALLACE01 2019/09/25 CHK'D: RNELSON 2019/09/26 APPR: RNELSON 2019/09/26	
▽ = 0	1 PLACE	± 0.25	INITIAL REVISION: DRWN: BBARKER 2011/02/17 APPR: SMILLER 2011/02/25	
⊠ = 0	0 PLACES	±	DOCUMENT NUMBER: <b>SD-71430-3000</b> DOC TYPE: PSD    DOC PART: 001    REVISION: D	
■ = 0	DRAFT WHERE APPLICABLE MUST REMAIN WITHIN DIMENSIONS	THIRD ANGLE PROJECTION	DRAWING: <b>D-SIZE</b>	SERIES: <b>71430</b>
▽ = 0			MATERIAL NUMBER: GENERAL MARKET	SHEET NUMBER: 2 OF 3

