

10/100 BASE – TX SINGLE PORT TRANSFORMER MODULE

Ruggedized



X-1644FNL



- ⚙️ 10K VAC for 60 second
- ⚙️ 350uH OCL with 8mA DC
- ⚙️ Operating Temperature: -40°C to +85°C
- ⚙️ Storage Temperature: -55°C to +125°C
- ⚙️ Pure tin finish
- ⚙️ Withstands 245°C Max Reflow Temperature Moisture
- ⚙️ Sensitivity Level: 3
- ⚙️ RoHS6

Electrical Specifications 25°C — Operating Temperature -40°C to +85°C

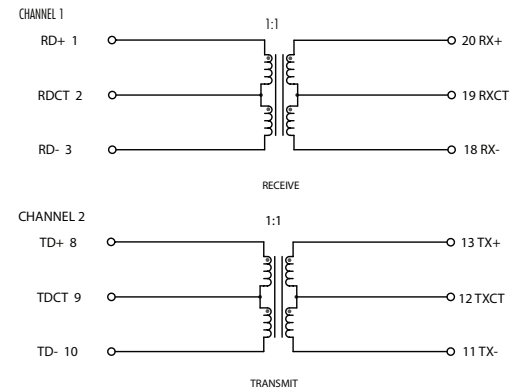
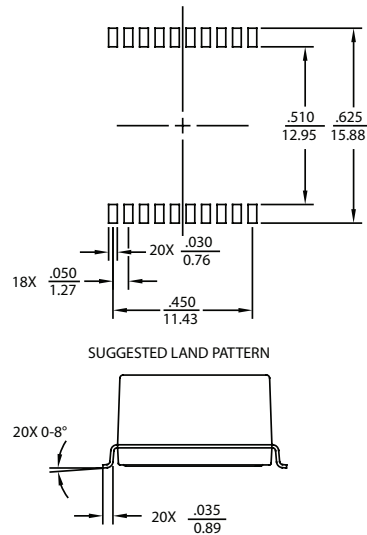
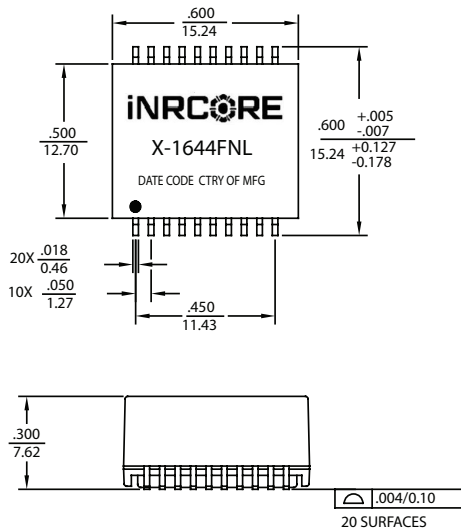
Part Number	Insertion Loss (dB MAX)				Return Loss (dB MIN)						Crosstalk (dB MIN)				Differential to Common Mode Rejection (dB MIN)			
	0.1 - 30MHz	60 MHz	80 MHz	100 MHz	5 MHz	30 MHz	50 MHz	60 MHz	80 MHz	100 MHz	1MHz	30 MHz	60 MHz	100 MHz	30 MHz	60 MHz	100 MHz	200 MHz
X-1644FNL	-1	-2	-2.5	-3.5	-18	-9	-6	-5	-3	-2	-45	-30	-27	-25	-36	-32	-30	-25

Notes: 1. For Tape & Reel Packaging, add "T" suffix at the end of the part number; i.e. X-1644FNLT

Mechanical

Schematic

X-1644FNL



Weight 2.6 grams
Tube 20/tube
Tape & Reel 300/reel

Dimensions: Inches
mm
Unless otherwise specified, all tolerances are ± .010
0.25

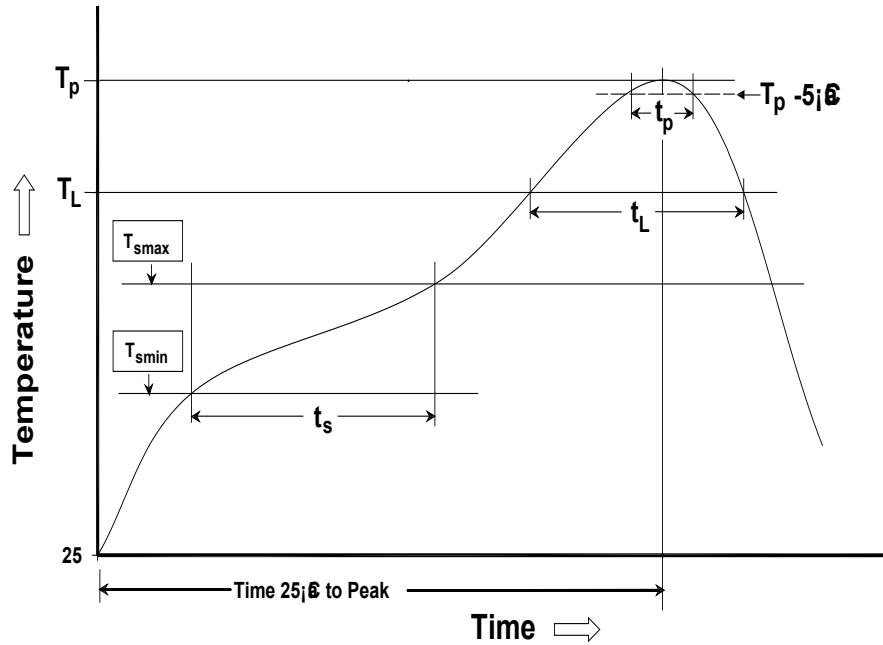


10/100 BASE – TX SINGLE PORT TRANSFORMER MODULE

Ruggedized



Non-Lead Recommended Reflow Profile (Based on J-STD-020D)



T_{SMIN} (°C)	T_{SMAX} (°C)	T_L (°C)	T_P (°C MAX)	t_s (s)	t_L (s)	t_p (s MAX)	Ramp-up rate (T_L to T_P)	Ramp-down rate (T_P to T_L)	Time 25°C to peak temperature (s MAX)
150	200	217	245	60-120	60-150	30	3°C/s MAX	6°C/s MAX	480

Notes:

1. All temperatures measured on the package leads.
2. Maximum times of reflow cycle: 2.

For More Information

iNRCORE, LLC
311 Sinclair Road Bristol,
PA 19007-6812 U.S.A
Tel: + 1.215.781.6400
Fax: +1.215.7816430

Global Sales Representatives and Locations:
<http://www.inrcore.com>

Performance warranty of products offered on this data sheet is limited to the parameters specified. Data is subject to change without notice. Other brand and product names mentioned herein may be trademarks or registered trademarks of their respective owners. © Copyright, 2020. iNRCORE, LLC. All rights reserved.

