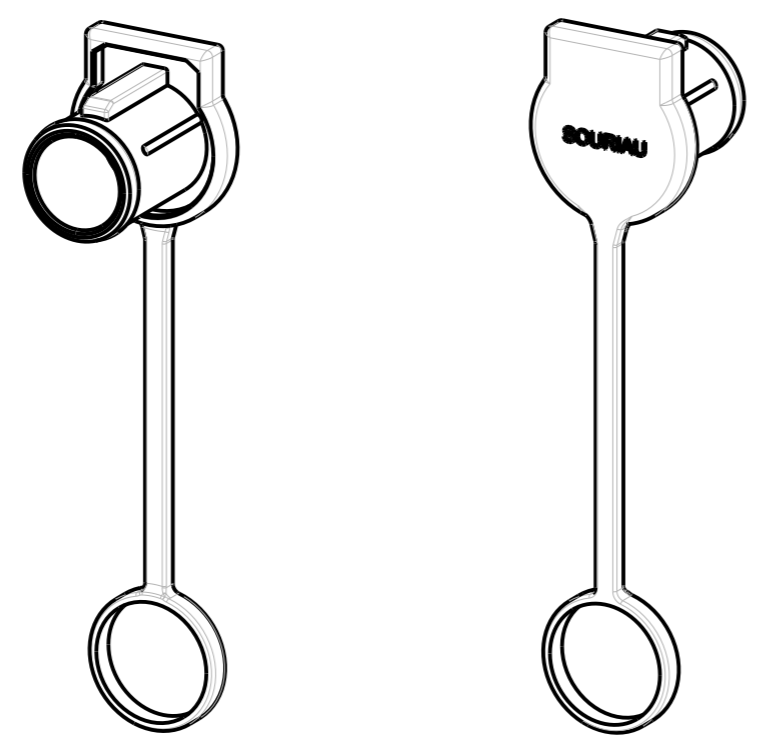
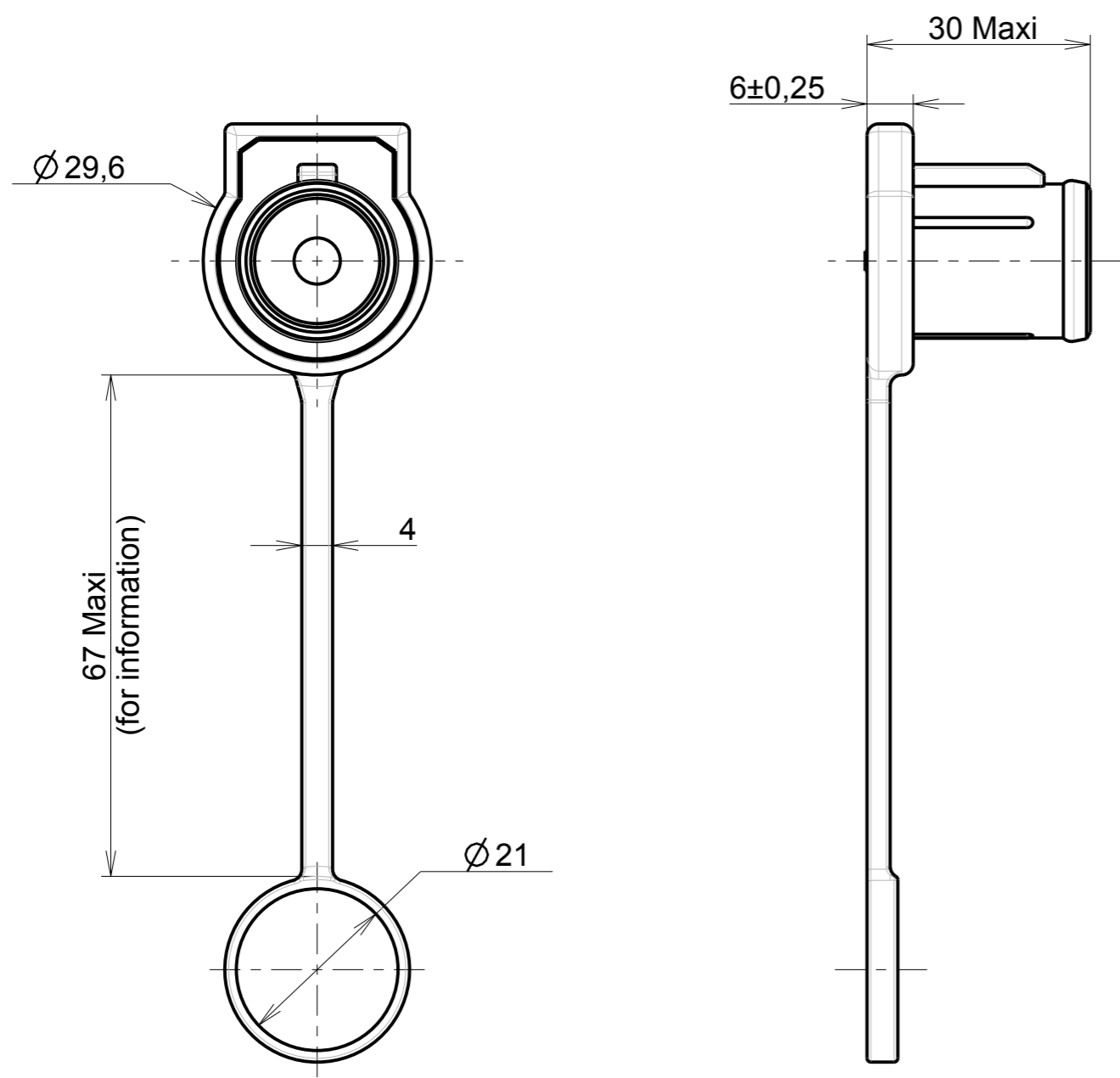


H G F E D C B A

b; 1; RL

4
3
2
1

4
3
2
1




MATERIALS
 ELASTOMER SHELL EPDM
 O'RING NBR

PERFORMANCES CHARACTERISTICS
MECHANICAL
 TEMPERATURE CLASS IEC61984/UL1977 -40°C TO 105°C
 DURABILITY IEC61984 500 MATE / UNMATE CYCLES
 SEALING IN MATED CONDITIONS IEC60529 IP67
 CORROSION SALT SPRAY MIN 1000H

ROHS COMPLIANT

1. COUNTERPART REFERENCE UTL RECEPTACLE
 2. UNIT IN MM

P/N : UTL10DCG

b	19/11/12	Change part number customer drawing UTS2-0022A-C01 by UTL1-0022A-C01	22725
ISS	DATE	Latest modification - by: RIOUX.B	MOD N°
Designed by: J.FEURPRIER		Date:--	CUSTOMER DRAWING
TITLE		PLASTIC DUST CAP FOR RECEPTACLE SIZE 10 UTL CONNECTOR	
Scale	1/1	General linear Tolerances: ± 0.5	NPRDS / PROJECT UTL
		WWW.SOURIAU.COM	This document is the property of SOURIAU It must not be reproduced or communicated without permission
FORMAT	A3	SOURIAU DRG N° UTL1-0022A-C01	SHEET 1/1

NOT EXPORT CONTROLLED

H G F E D C B A