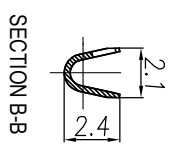
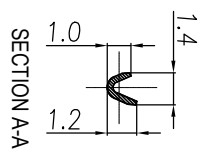
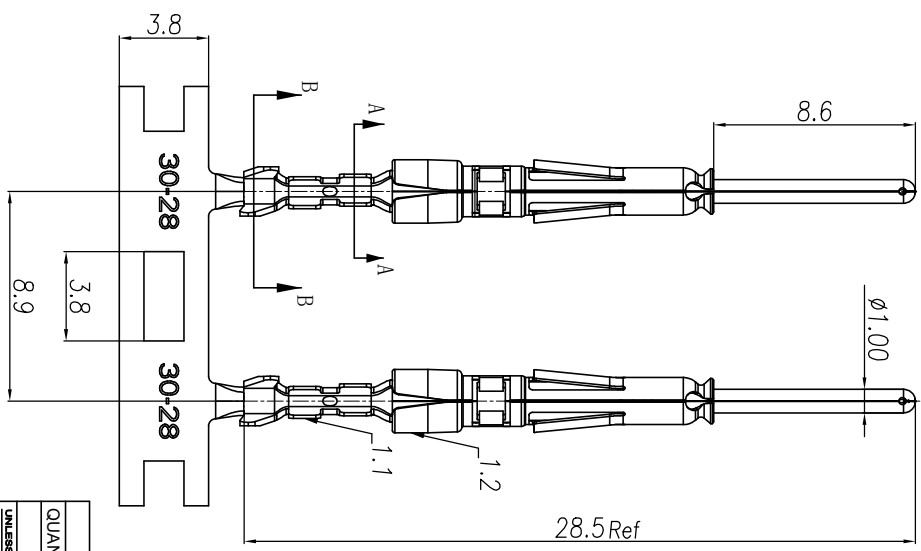


CONTACT ORIENTATION ON ROLL
 NOTES: (UNLESS OTHERWISE SPECIFIED)

1. MATERIAL:
 - 1.1. CONTACT BODY: COPPER ALLOY.
 - 1.2. OUTER SPRING: STAINLESS STEEL.
2. SPECIFICATIONS:
 - 2.1 CURRENT RATING: 5A MAX.
 - 2.2 TERMINATION TYPE: CRIMPING.
 - 2.3 WIRE RANGE: 30-28AWG.
 - 2.4 WIRE INSULATION DIA(MAX): $\varnothing 1.8\text{mm}$.
3. RoHS COMPLIANT.
4. ALL DIMENSIONS ARE FOR REFERENCE USE ONLY.
5. AVAILABLE TOOLS:
 - 5.1 HAND CRIMPER: MF-X-3958 (A3)
 - 5.2 CRIMP APPLICATOR: MF-X-3957.
 - 5.3 EXTRACTION TOOL: QXRT20.



REVISIONS				
REV	ECO	DESCRIPTION	DATE	BY APPR
A1	-	RELEASED DRAWING	Nov-8-17	Rookie Tommy
A2	-	ADD THE GS PART NUMBER	Jan-28-19	Blink Tommy
A3	-	CHANGE HAND CRIMPER	Nov-8-19	Flan Tommy

P/N	CONTACT PLATING(MATING AREA)
SP28W2T	TIN PLATING OVER NICKEL.
SP28W2N	NICKEL PLATING OVER COPPERIZE.
SP28W2F	GOLD FLASH PLATING OVER NICKEL.
SP28W2G5	5 μ " GOLD PLATING OVER NICKEL.
SP28W2G10	10 μ " GOLD PLATING OVER NICKEL.
SP28W2G15	15 μ " GOLD PLATING OVER NICKEL.
SP28W2G30	30 μ " GOLD PLATING OVER NICKEL.

QUANTITY	PART NUMBER	DESCRIPTION	ITEM

MATERIALS LIST			
UNLESS OTHERWISE SPECIFIED	SIGNATURES	DATE	
1) All dimensions are in millimeters.	Drawn: Ril	Nov-8-19	
2) Tolerances are as follows:	Checked: Mah	Nov-8-19	
1 Pt. DEC 20-00	Engineer:		
3 Pt. DEC 20-00	Approve: Tommy	Nov-8-19	
3) Note reference =	Customer:		
MATERIAL SPECIFICATIONS			
PROCESS SPECIFICATIONS			
NEXT ASBY			

SIZE	TYPE	DWG NO	REVISION
B	C-	SP28W2XX	A3

Amphenol
 Sine Systems - www.amphenol-sine.com
 44724 Montley Drive
 Clinton Township, MI 48038

ECO-MATE PIN CONTACT.
 STAMPED, 28-30AWG, SIZE 20