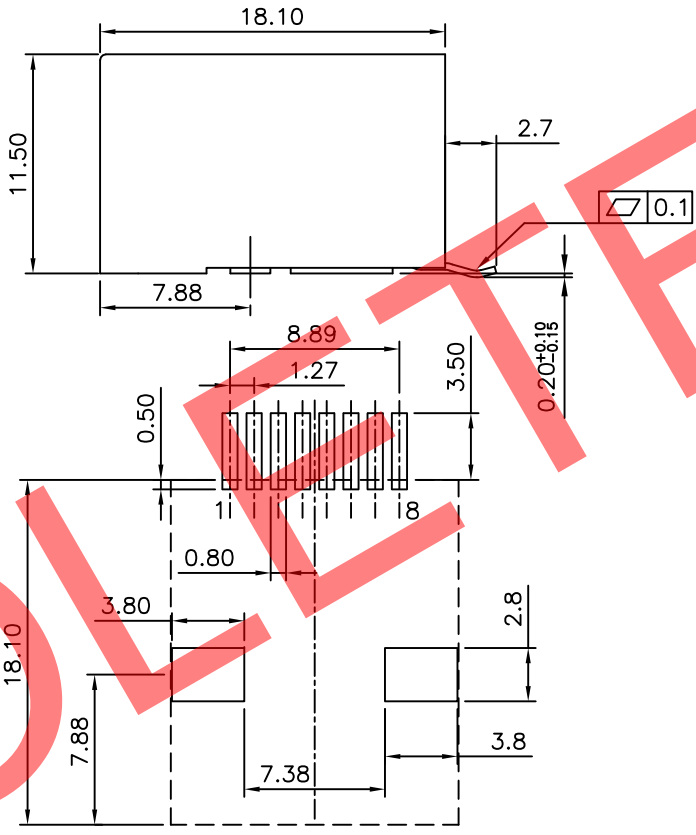
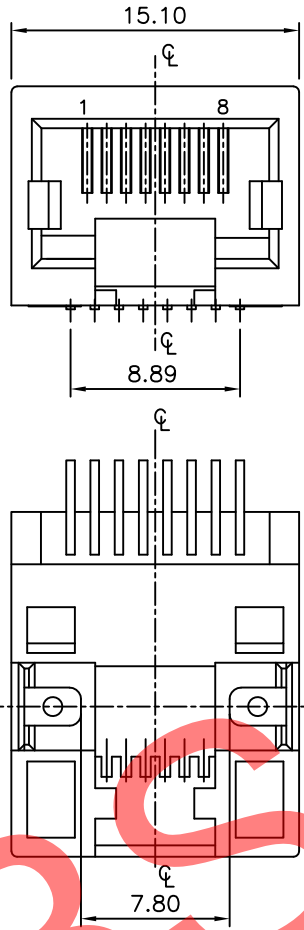
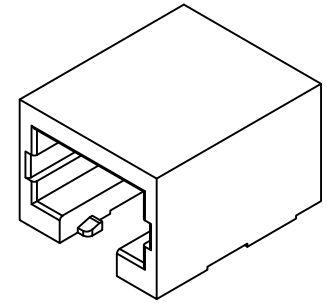


H
G
F
E
D
C
B
A



RECOMMENDED PCB LAYOUT
AS VIEWED FROM COMPONENT SIDE



Specification 规格:

Electrical 电气规格:

Voltage Rating 电压额定值: 125 V AC (RMS)
 Current Rating 电流额定值: 1.5 Amp
 Contact Resistance 接触电阻值: 35mΩ Max.
 Insulation Resistance 绝缘电阻值: 1000MΩ Min. @ 500 VDC
 Dielectric Strength 电介质强度: 1000 VAC RMS 60Hz, 1 Min.

Material 物料规格:

Housing Material 塑胶外壳: High Temp Nylon UL94V-0, Black
 Contact Material 端子材料: Phosphor Bronze 0.35mm Thickness
 Plating 电镀规格: Gold Plating over Nickel
 Operating Life 使用寿命: 750 Cycles Min.
 PCB Retention Force After Solder 焊接后保持力: 10 LBS Min.

Environmental 环境的:

Storage Temperature 储存温度: -40°C to +85°C
 Operation Temperature 使用温度: -40°C to +85°C

Ordering Grid

MJ3405 = 88 = X

No. of Positions/
Positions Loaded
88 = 8/8

Contact Plating
2 = 6μ" Gold (Standard)
4 = 30μ" Gold

Part Number		Product Description	
MJ3405 - 8 Position		Modular Jack Connector, 8 Position, Category 3, Right Angle SMT, With Inside Solder Tab, Standard Latch	
Drawing Date		12th May 2010	
By	CC	Tolerances (Except as Noted)	Units:
Detail	Obsolete	Length X.X ± 0.20 X.XX ± 0.15 X.XXX ± 0.10	Metric (mm)
Revision	X	Angle ± 5°	
Date	25/07/22		



This drawing is confidential and copyright of Global Connector Technology, Ltd (GCT). This drawing must not be copied or disclosed without written consent. E & OE



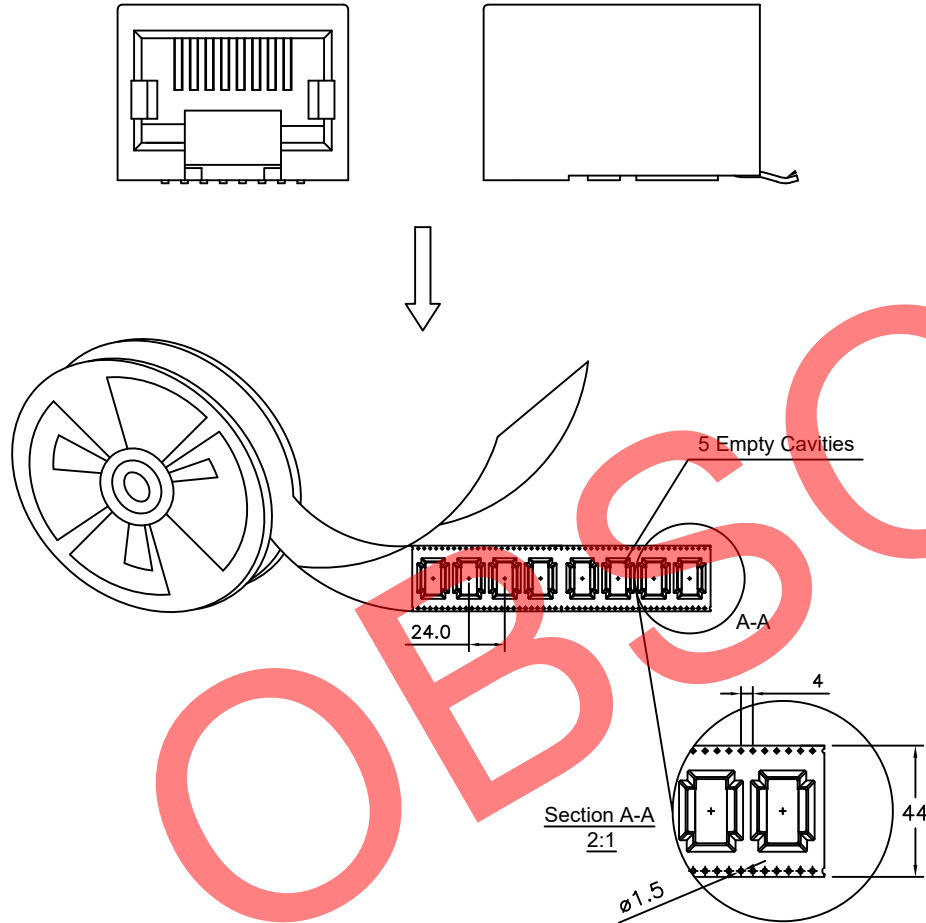
Not to Scale	Drawn By PKN	Sheet No. 1/2
--------------	--------------	---------------

1. Packing Material 包材 - Tape Reel

Quantity 數量 - 1*150=150 PCS

Tape Reel 卷帶 - Width 44 * 0.5mm * Pitch 24mm = Total Length 4.12m

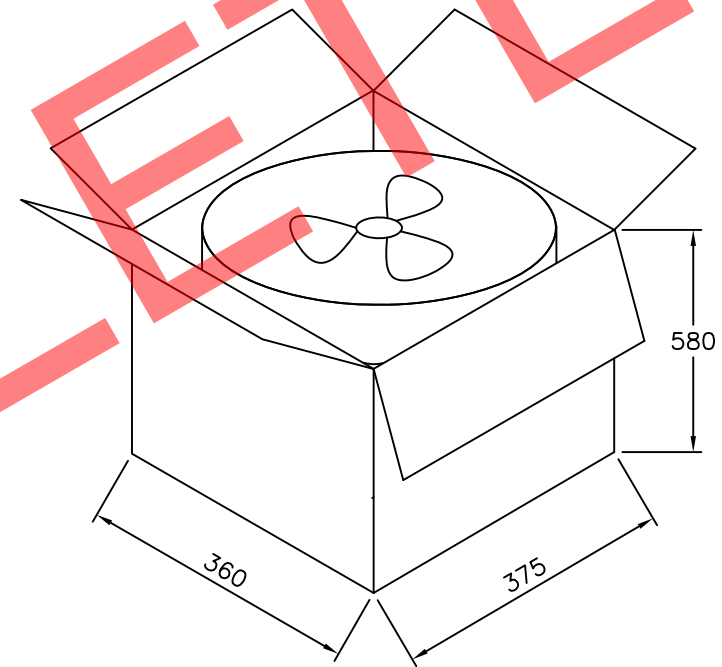
Reel 卷盤 - $\phi 330$ mm





2. Packing Material 包材 - Carton 1 PC

Quantity 數量 - 150*10=1500 PCS

Part Number 零部件料号	Net Weight 淨重	Gross Weight 毛重	Q'TY 數量
MJ3405-88-X	10.50Kg	11.16Kg	1500



Part Number MJ3405 - 8 Position		Product Description Modular Jack Connector, 8 Position, Category 3, Right Angle SMT, With Inside Solder Tab, Standard Latch		 www.gct.co	
Drawing Date 12th May 2010					
By CC	Tolerances (Except as Noted) Length	Units: Metric (mm)	This drawing is confidential and copyright of Global Connector Technology, Ltd (GCT). This drawing must not be copied or disclosed without written consent. E & OE	Not to Scale Drawn By PKN	
Detail Obsolete	Angle	 3rd Angle Projection			Sheet No. 2/2
Revision X					
Date 25/07/22					