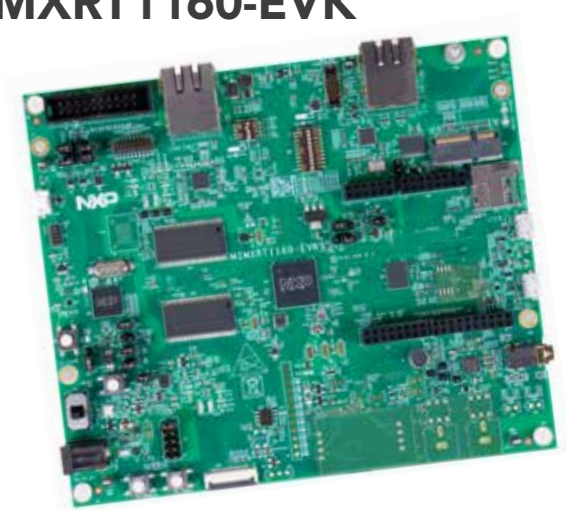




MIMXRT1160-EVK



Evaluation kit for the i.MX RT1160 MCU
600 MHz Arm® Cortex®-M7 and 240 MHz Cortex-M4 cores

GET TO KNOW THE MIMXRT1160-EVK

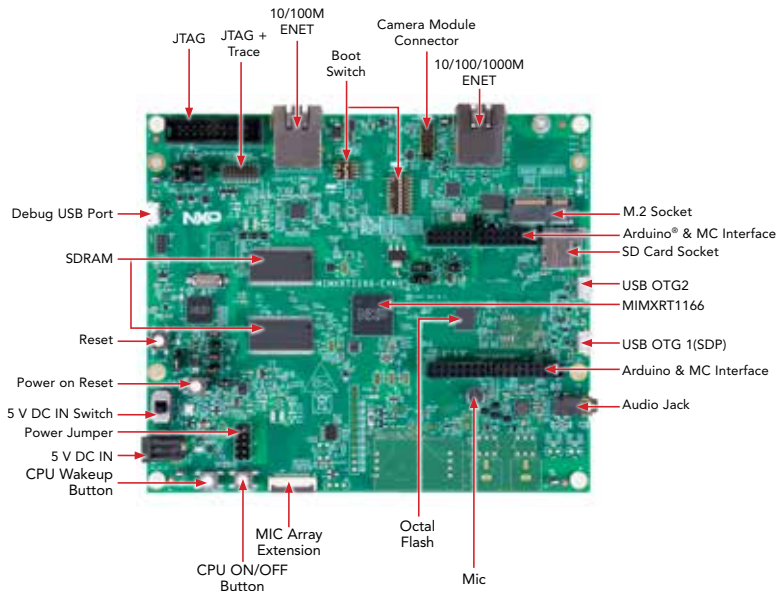


Figure 1: MIMXRT1160-EVK Board Front Callouts

GET TO KNOW THE MIMXRT1160-EVK CONTINUED

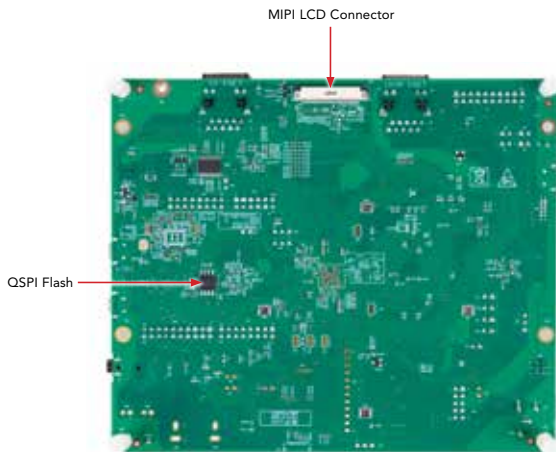


Figure 2: MIMXRT1160-EVK
Board Back Callouts

GETTING STARTED

1. Plug the power adapter wire into the MIMXRT1160-EVK board 5 V DC IN header (J43) and switch on 5 V DC IN (SW5).
2. The MIMXRT1160-EVK board comes preprogrammed with a demo that will initiate the LED on the board to flash periodically when plugged in.
3. Explore more out-of-box demos and download software and tools at www.nxp.com/MIMXRT1160-EVK/startnow.

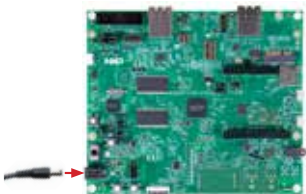


Figure 3: MIMXRT1160-EVK Power Adapter Cable to 5 V DC IN Header

SUPPORT

Visit www.nxp.com/support for a list of phone numbers within your region.

WARRANTY

Visit www.nxp.com/warranty for complete warranty information.



GET STARTED

Download installation software and documentation at www.nxp.com/MIMXRT1160-EVK/startnow.

www.nxp.com/MIMXRT1160-EVK/startnow

NXP and the NXP logo are trademarks of NXP B.V. All other product or service names are the property of their respective owners. Arm and Cortex are trademarks or registered trademarks of Arm Limited (or its subsidiaries) in the US and/or elsewhere. The related technology may be protected by any or all of patents, copyrights, designs and trade secrets. All rights reserved. © 2021 NXP B.V.