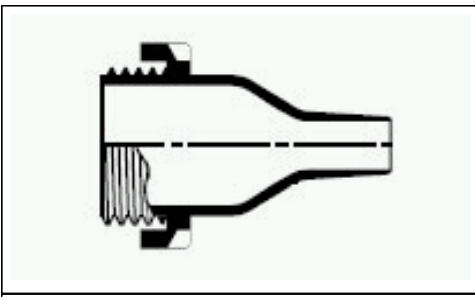


207W223 -3-01 -0 Product Details



207W223 -3-01 -0

Raychem Part Number:
878121 -000

 [Active](#)

Molded Parts

[Always EU RoHS/ELV Compliant](#) ([Statement of Compliance](#))

Product Highlights:

- ? Feed through
- ? Family Name = 207W2
- ? General Purpose Application
- ? 3 Material Code
- ? Adhesive Code = S1017, S1048

[View all Features](#) | [Find Similar Products](#)

Quick Links

[Check Pricing & Availability](#)
[Search for Tooling Product Feature Selector](#)
[Contact Us About This Product](#)

Documentation & Additional Information

Product Drawings:

- ? [Customer Drawing](#) (PDF, English)

Catalog Pages/Data Sheets:

- ? None Available

Product Specifications:

- ? None Available

Application Specifications:

- ? None Available

Instruction Sheets:

- ? None Available

CAD Files:

- ? None Available

Additional Information:

- ? [Product Line Information](#)

Related Products:

- ? [Tooling](#)

[List all Documents](#)

Product Features

(Please use the Product Drawing for all design activity)

Product Type Features:

- ? Product Type = Feed through
- ? Mounting Hole Diameter (mm [in]) = 34 [1.34]
- ? Size = 23
- ? Material = Semi rigid Modified Polyolefin

Mechanical Attachment:

- ? Nut Type = B

Electrical Characteristics:

- ? Expanded ID, Min. (mm [in]) = 18.00 [0.709]
- ? Recovered ID, Max. (mm [in]) = 7.10 [0.280]

Body Related Features:

- ? Threaded End Inside Diameter (mm [in]) = 20.1 [0.79]
- ? Wall Thickness - Full Recovery (Nominal) (mm [in]) = 1.80 [0.071]
- ? Length (M [ft]) = 0.072 [0.236]
- ? O-Ring = Without

Contact Related Features:

- ? Family Name = 207W2

Housing Related Features:

- ? Adhesive Pre -Coating = Without
- ? Adhesive Description = Adhesive Purchased Separately.

Configuration Related Features:

- ? Material Code = 3
- ? Adhesive Code = S1017, S1048

Industry Standards:

- ? [RoHS/ELV Compliance](#) = RoHS compliant, ELV compliant
- ? [Lead Free Solder Processes](#) = Not relevant for lead free process
- ? RoHS/ELV Compliance History = Always was RoHS compliant

Operation/Application:

- ? Application = General Purpose

Other:

- ? Brand = Raychem