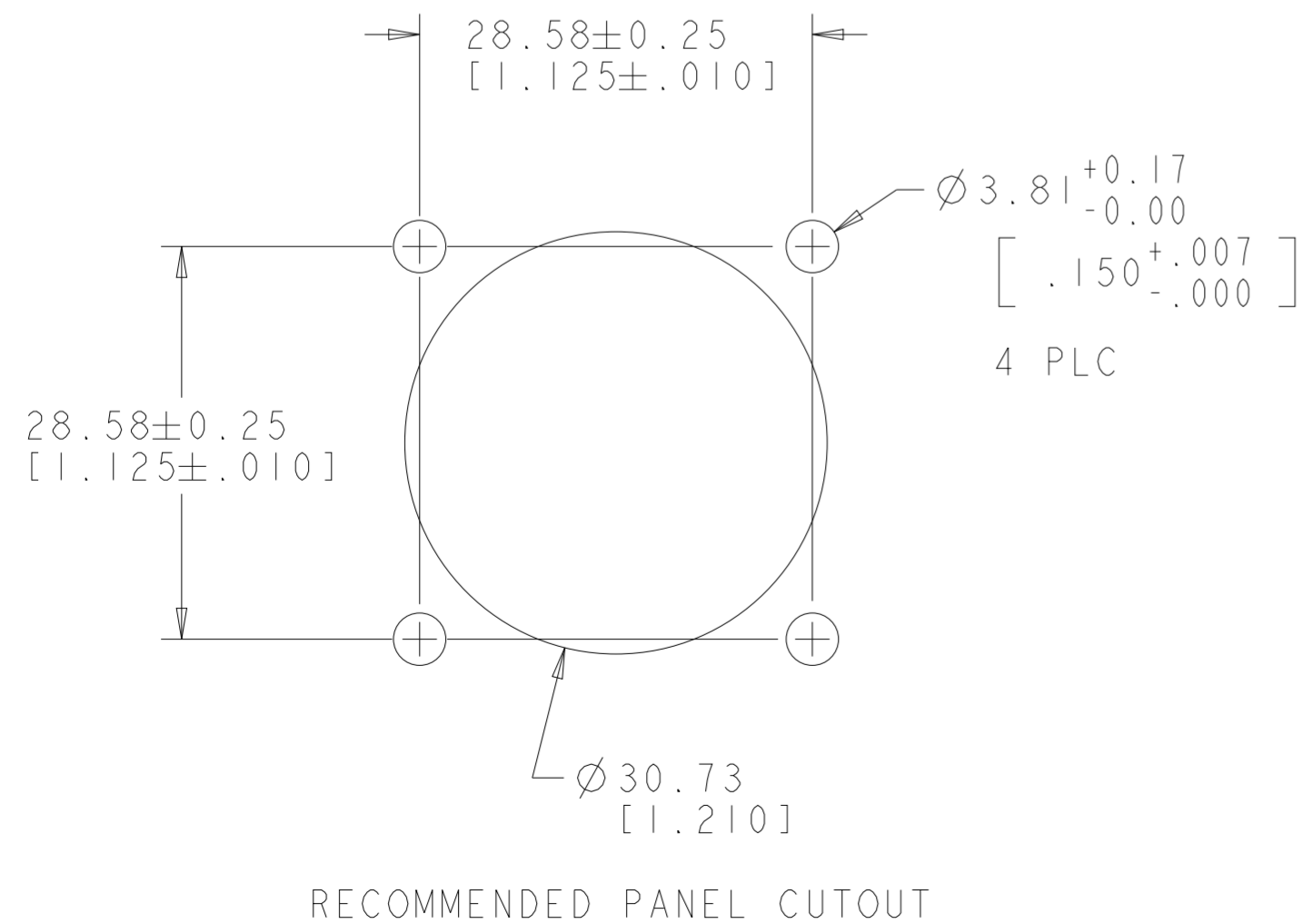
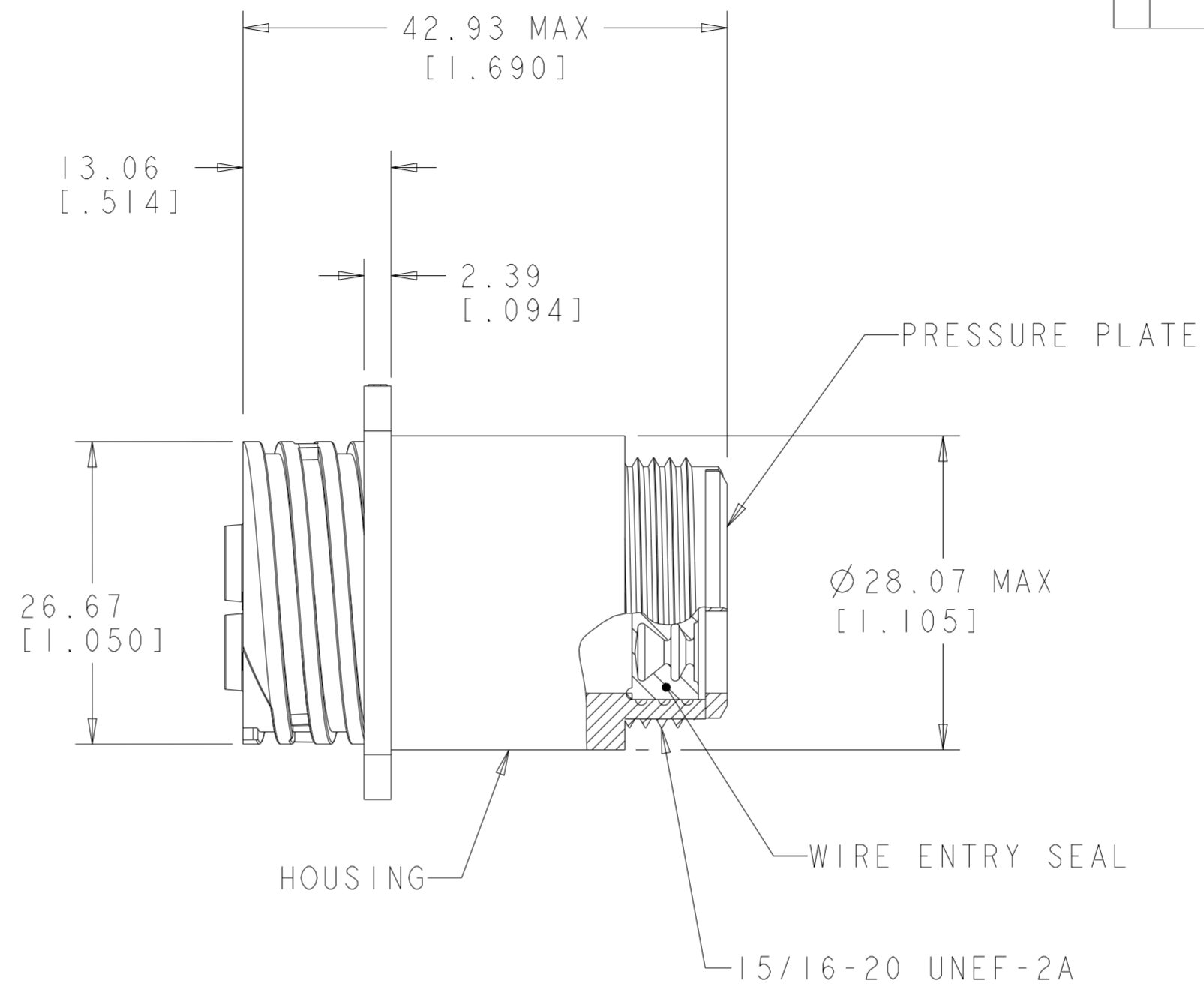
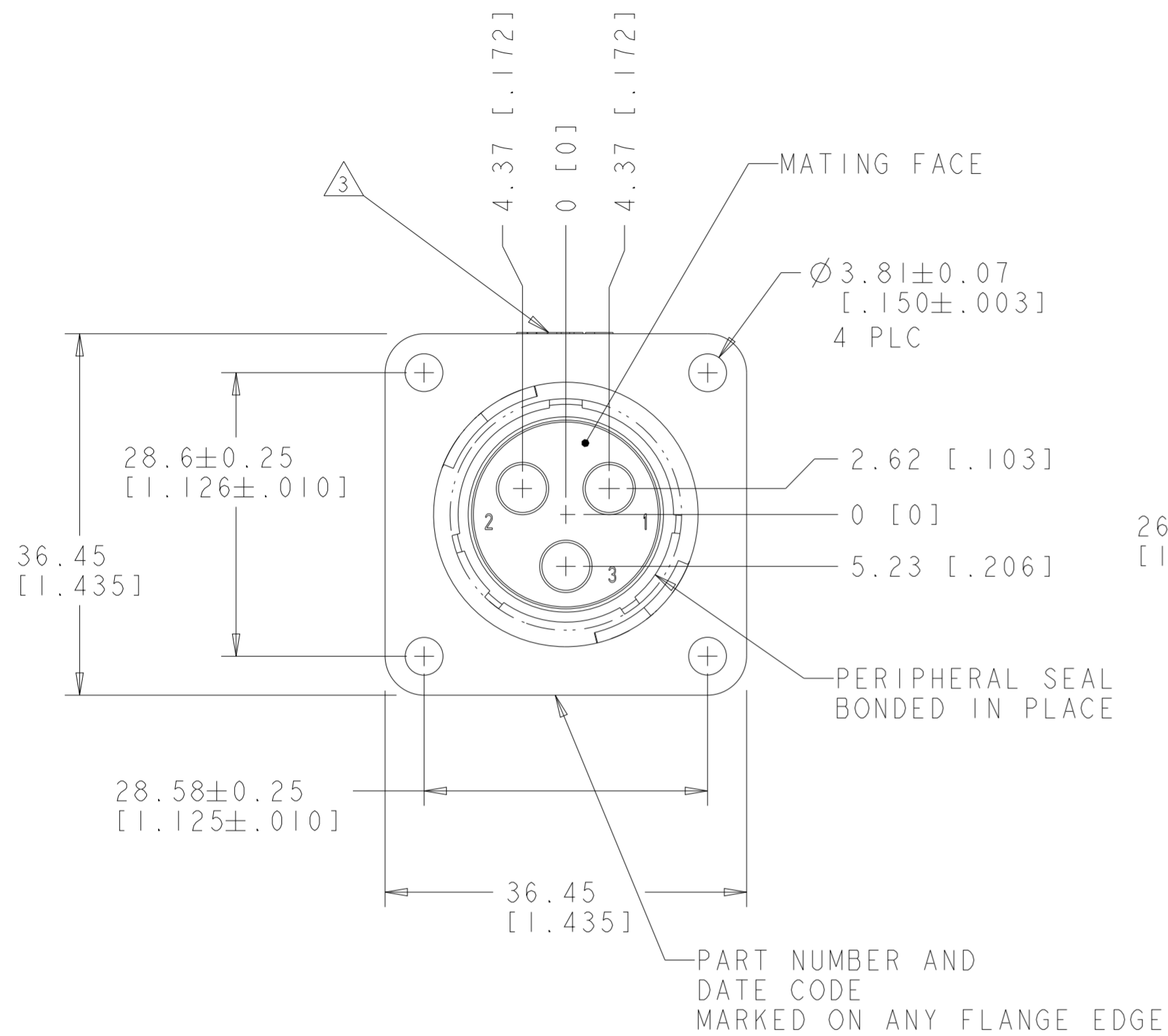


P	LTR	DESCRIPTION	DATE	DWN	APVD
D		REVISED PER ECO-21-006944	12OCT2021	RK	MZ



- ① HOUSING & PRESSURE PLATE: NYLON, BLACK.  
WIRE ENTRY SEAL: ELASTOMER, SEE CHART FOR COLOR  
PERIPHERAL SEAL: ELASTOMER, BLACK.
- 2. CONNECTOR WILL ACCEPT (3) POWER SOCKET CONTACTS.
- ③ TE LOGO MARKED ON ANY FLANGE EDGE

RED IRON OXIDE	3.81-6.73 [.150-.265]	788189-2
BRIGHT YELLOW	2.41-5.21 [.095-.205]	788189-1
SEAL COLOR	INSULATION RANGE	PART NUMBER

THIS DRAWING IS A CONTROLLED DOCUMENT.		DWN S. WELDON 07FEB2000	TE Connectivity	
DIMENSIONS: mm [INCHES]		CHK K. DOWHOWER 07FEB2000		
TOLERANCES UNLESS OTHERWISE SPECIFIED:		APVD K. DOWHOWER 07FEB2000		
0 PLC ± 1 PLC ± 2 PLC ±0.02 3 PLC ± 4 PLC ± ANGLES ± FINISH -		PRODUCT SPEC 108-1579 APPLICATION SPEC - WEIGHT - CUSTOMER DRAWING		
NAME RECEPTACLE ASSY, SERIES 5, REVERSE SEX, SIZE 17-3, CIRCULAR PLASTIC CONNECTOR			SIZE A2	CAGE CODE 00779
DRAWING NO G-788189			RESTRICTED TO -	SCALE 2:1
SHEET 1			OF 1	REV D