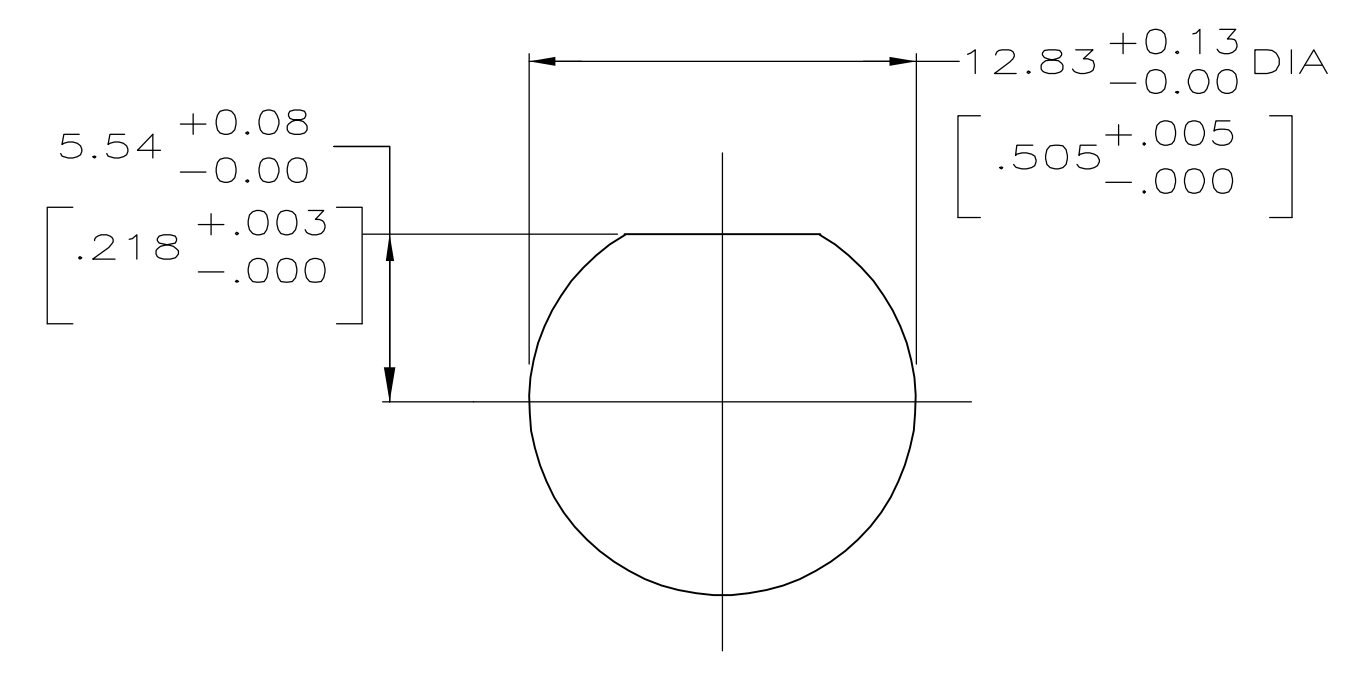
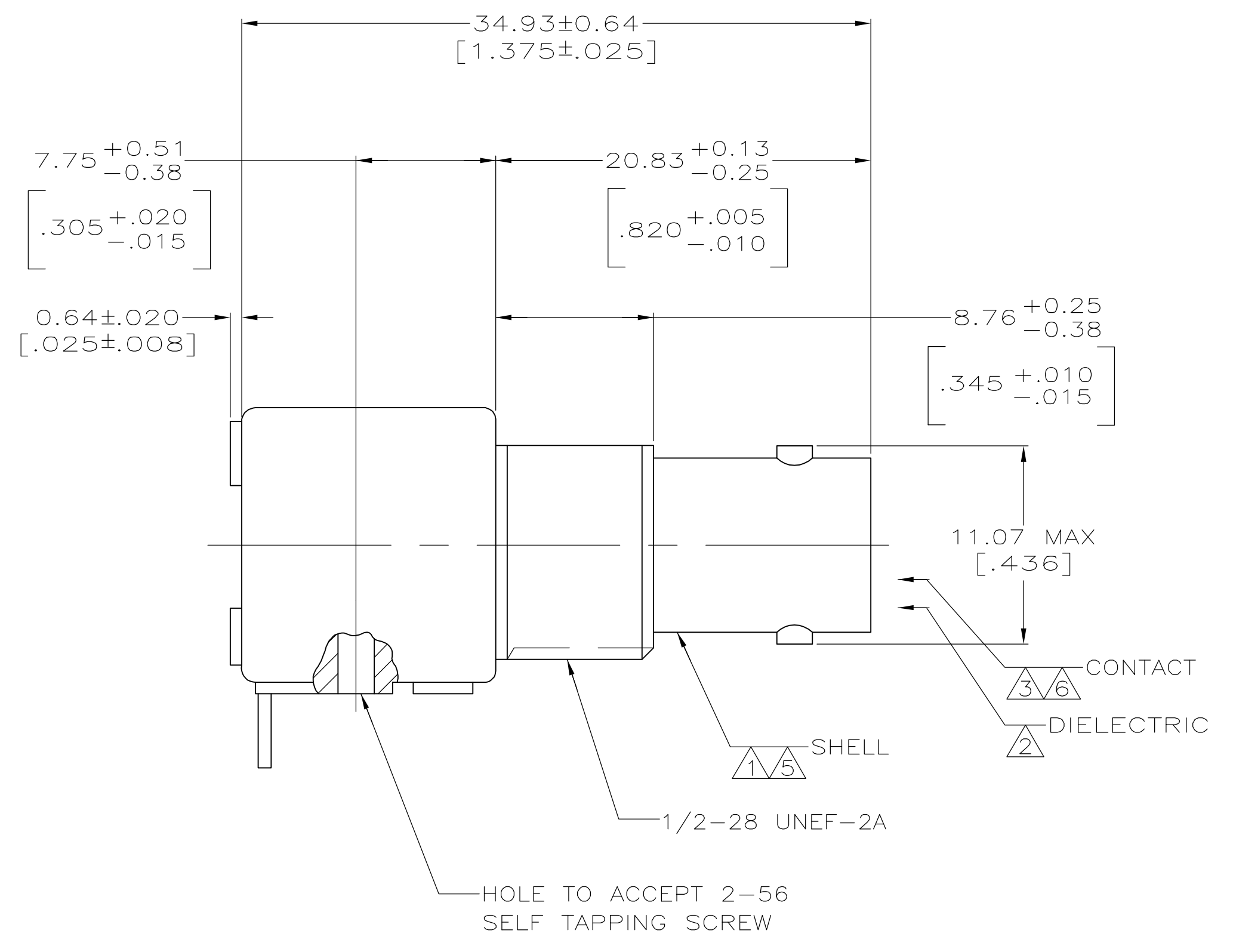
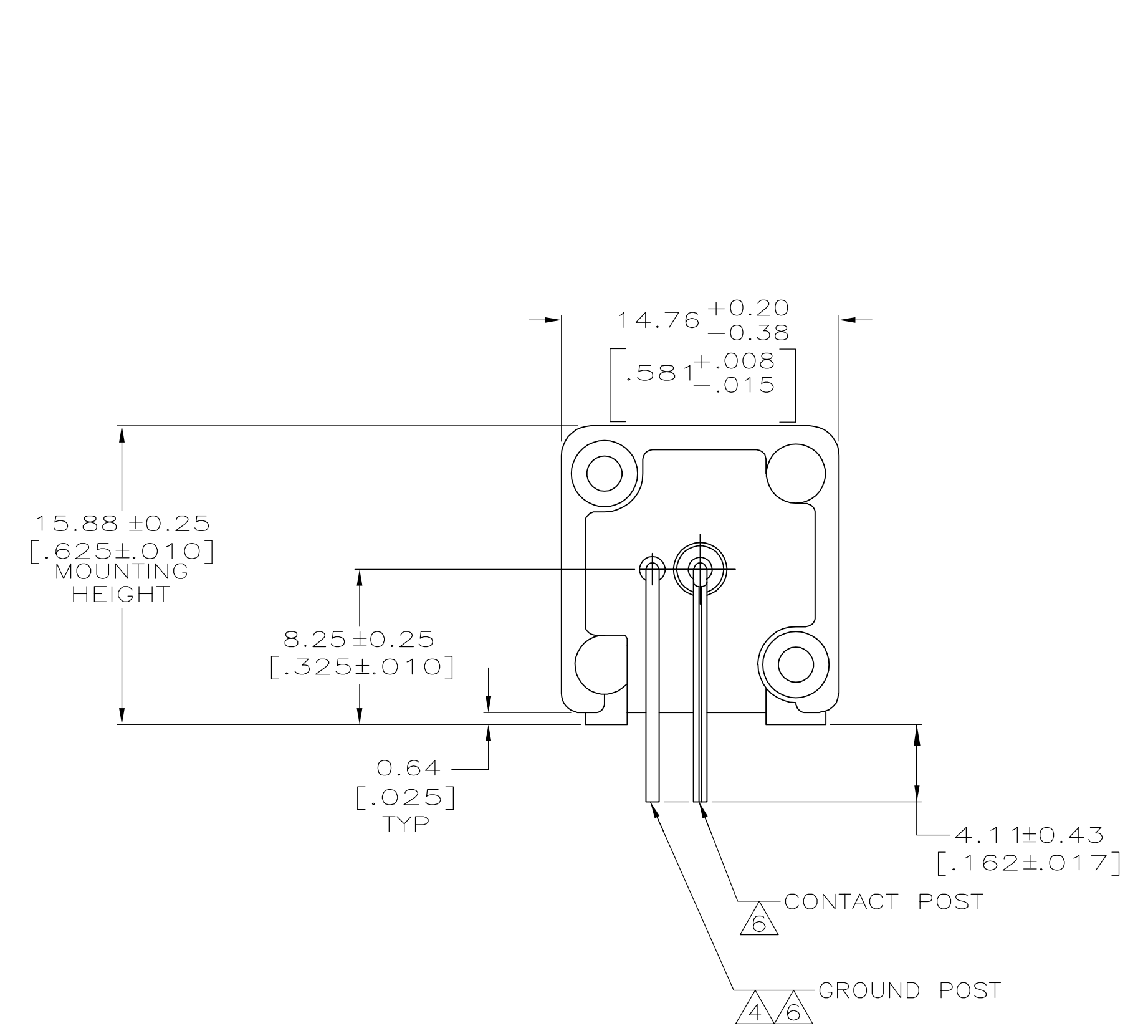
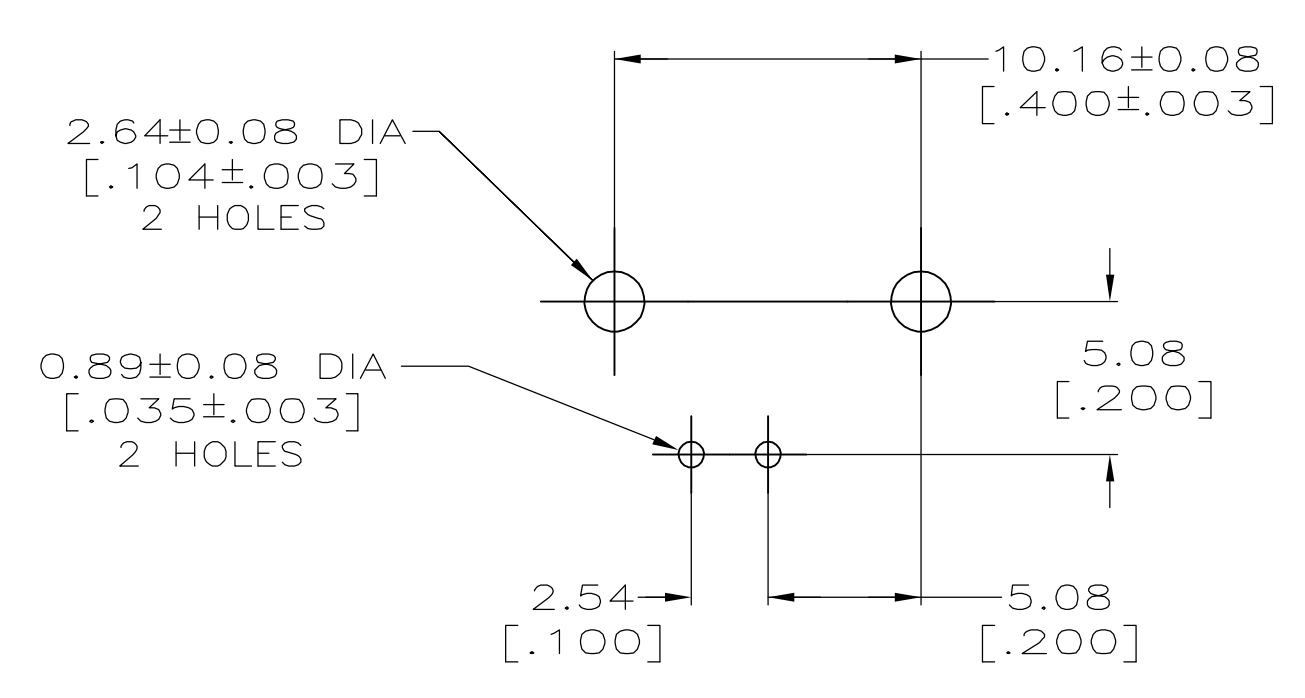


LOC		DIST		REVISIONS			
P	LTR	DESCRIPTION	DATE	DWN	APPD		
A		REVISED PER EC OS14-0150-05	30AUG05	BM	JL		

- ① ZINC PER QQ-Z-363.
- ② POLYMETHYLPENTENE PER ASTM-D-1238.
- ③ PHOSPHOR BRONZE PER QQ-B-750.
- ④ BRASS PER ASTM-B-453.
- ⑤ NICKEL PLATE PER QQ-N-290, 3.81 μm [.000150] MINIMUM THICK.
- ⑥ TIN PLATE PER ASTM-B-545, 3.81 μm [.000150] MINIMUM THICK.
- 7. SEE INSTRUCTION SHEET 408-2769.



RECOMMENDED PANEL CUTOUT



PCB CONFIGURATION

5227433-1  
PART NUMBER

THIS DRAWING IS A CONTROLLED DOCUMENT.		DWN J. ALCORTA - 26APR2005		Tyco Electronics Corporation Harrisburg, Pa 17105-3608	
DIMENSIONS: mm [INCHES]		CHK J. HAVENER - 26APR2005		APPRO J. LIPPERT - 26APR2005	NAME
TOLERANCES UNLESS OTHERWISE SPECIFIED:		0 PLC ± - 1 PLC ± - 2 PLC ± 0.05 [.002] 3 PLC ± - 4 PLC ± - ANGLES ± - FINISH SEE NOTES 5-7		PRODUCT SPEC 108-12078	RESTRICTED TO
MATERIAL SEE NOTES 1-4		WEIGHT -		SIZE A1	CAGE CODE 00779
CUSTOMER DRAWING		SCALE 4:1		SHEET 1 OF 1	REV A