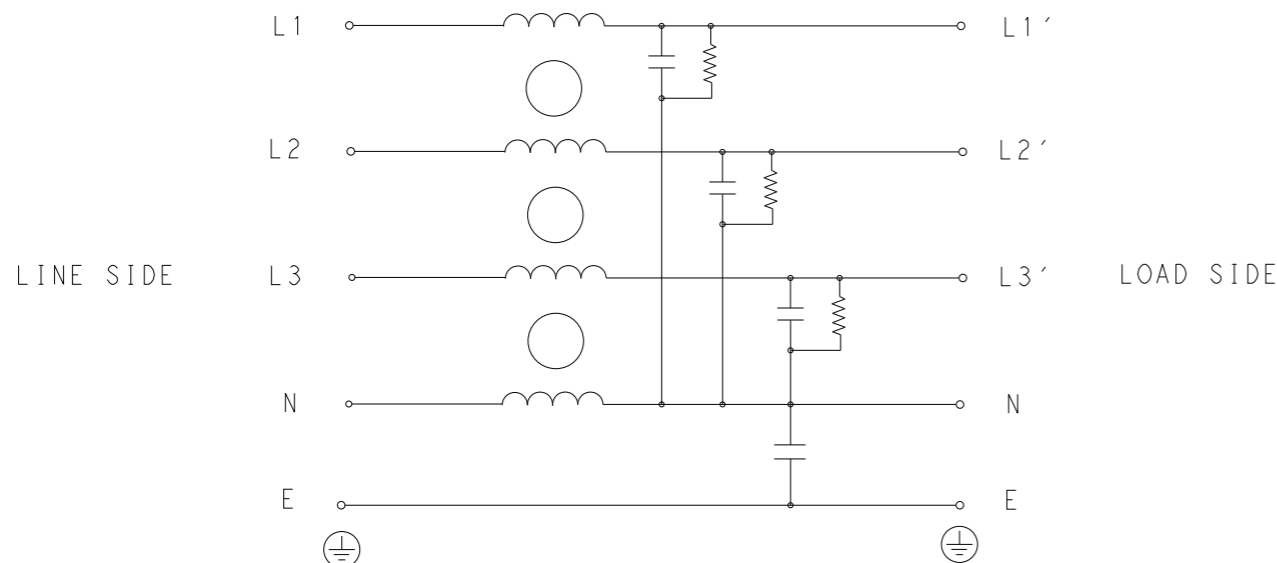


REVISIONS

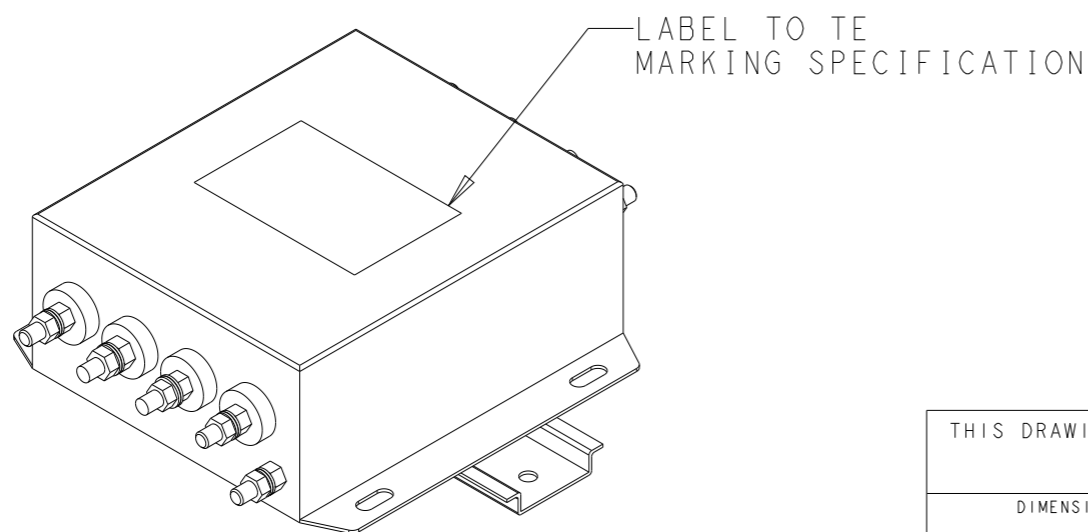
P	LTR	DESCRIPTION	DATE	DWN	APVD
	A	INITIAL RELEASE	14APR2021	SR	CB



SCHEMATIC

TYPICAL INSERTION LOSS
COMMON MODE 50/50Ω; DIFFERENTIAL MODE 50/50Ω

MHz	0.01	0.05	0.15	0.5	1	3	5	10	30
CM	4	4	11	24	32	42	48	34	20
DM	14	20	28	42	50	30	26	20	22



SAFETY ORGANIZATIONS

THIS FILTER WILL BE FORMALLY RECOGNIZED, CERTIFIED OR APPROVED BY THE LISTED AGENCY. THEREFORE, ALL TEST/REQUIREMENTS SPECIFIED IN THE LATEST REVISION OF THE FOLLOWING AGENCY STANDARDS WILL BE MET:

UL APPROVED 50A 440V 50Hz/60Hz 40°C
 CSA APPROVED 50A 440V 50Hz/60Hz 40°C

OPERATING SPECIFICATION

LINE CURRENT/VOLTAGE: 50A, 440VAC
 LINE FREQUENCY: 50/60Hz

MAXIMUM LEAKAGE CURRENT: 5mA @ 230VAC, 50Hz

OPERATING AMBIENT TEMPERATURE RANGE @ RATED CURRENT: -25°C TO +40°C

IN AN AMBIENT, T_a, HIGHER THAN 40°C, THE MAXIMUM OPERATING CURRENT, I_o, IS AS FOLLOWS:

$$I_o = I_r \sqrt{\frac{85 - T_a}{45}}$$

RELIABILITY SPECIFICATIONS

STORAGE TEMPERATURE: -40°C TO +85°C
 HUMIDITY: 21 DAYS @ 40°C AND 95% RH

TEST SPECIFICATIONS

INDUCTANCE, NOMINAL: 0.25mH

CAPACITANCE @ 1kHz

NEUTRAL TO GROUND, NOMINAL: 22nF
 LINE TO NEUTRAL, NOMINAL: 470nF

DISCHARGE RESISTOR

L/G I.R. 2MΩ 1W
 L/L I.R. 2MΩ 1W
 L/N I.R. 1MΩ 1W
 N/G I.R. 680KΩ 1W

IR (NO DISCHARGE RESISTOR) 20°C, 50% RH AND 100VDC, MIN: 6MΩ

RECOMMENDED RECEIVING INSPECITON HIPOI

LINE TO GROUND FOR 1 MINUTE: 2632VDC
 LINE TO LINE FOR 1 MINUTE: 1892VDC
 LINE TO NEUTRAL FOR 1 MINUTE: 1093VDC

FILTER APPROVAL

THE BEST WAY TO SELECT AND QUALIFY A FILTER IS FOR YOUR ENGINEERING TO TEST THE UNIT IN YOUR EQUIPMENT.

THIS DRAWING IS A CONTROLLED DOCUMENT.		DWN SUPREETH R 14APR2021												
DIMENSIONS: mm		CHK CHRIS BOLLE 14APR2021												
TOLERANCES UNLESS OTHERWISE SPECIFIED:		APVD CHRIS BOLLE 14APR2021												
<table border="0"> <tr><td>0 PLC</td><td>±-</td></tr> <tr><td>1 PLC</td><td>±0.5</td></tr> <tr><td>2 PLC</td><td>±0.40</td></tr> <tr><td>3 PLC</td><td>±0.130</td></tr> <tr><td>4 PLC</td><td>±0.0500</td></tr> <tr><td>ANGLES</td><td>±-</td></tr> </table>		0 PLC			±-	1 PLC	±0.5	2 PLC	±0.40	3 PLC	±0.130	4 PLC	±0.0500	ANGLES
0 PLC	±-													
1 PLC	±0.5													
2 PLC	±0.40													
3 PLC	±0.130													
4 PLC	±0.0500													
ANGLES	±-													
MATERIAL -		PRODUCT SPEC -	SIZE A3	CAGE CODE 00779	DRAWING NO C-6-1609966-1	RESTRICTED TO -								
FINISH -		APPLICATION SPEC -	SCALE 1:2		SHEET 1 OF 2	REV A								
-		WEIGHT -	CUSTOMER DRAWING											

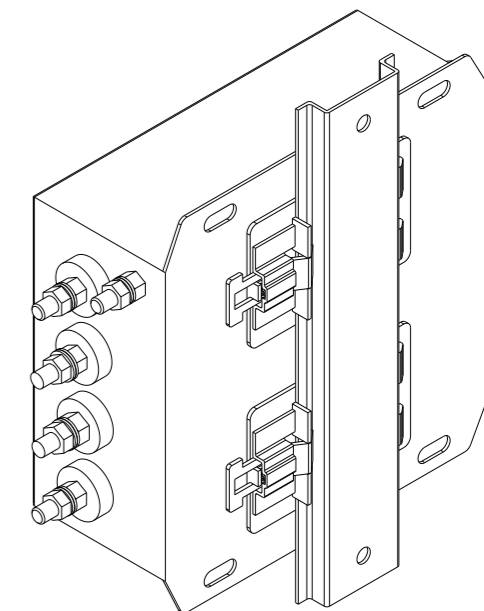
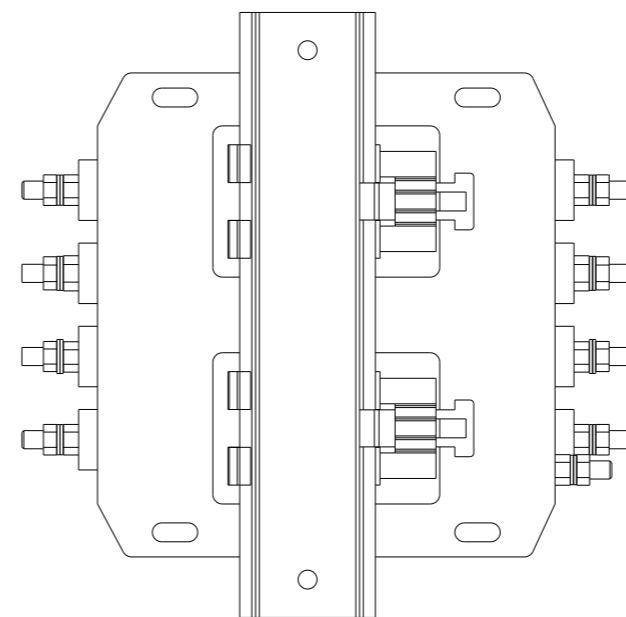
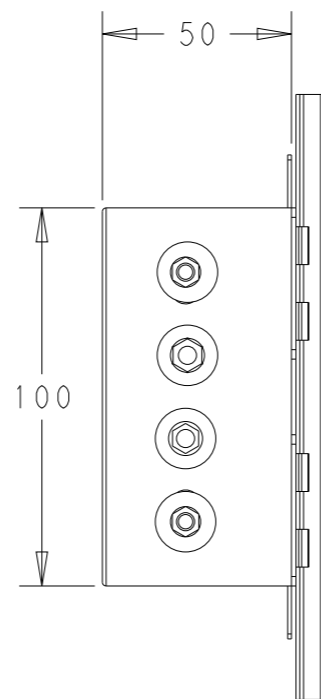
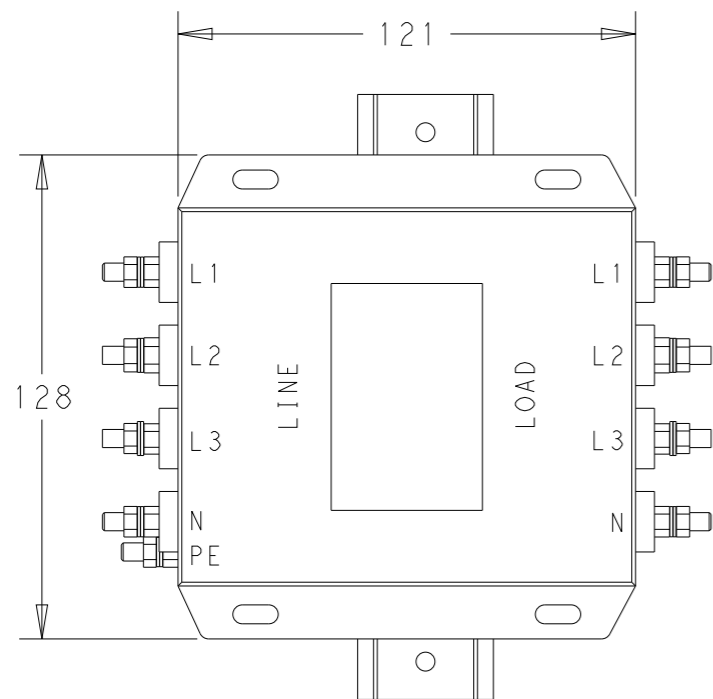
NOTE 1 GROUND CONNECTION:
 FOR ELECTRICAL SAFETY AND FILTER PERFORMANCE
 UNIT MUST HAVE A GOOD GROUND CONNECTION.
 TORQUE OUTER TERMINAL /GROUND NUTS: 2.5-3Nm

NOTE 2 INPUT OUTPUT CONNECTION TERMINAL
 AWG SIZE: XXX
 THREADED BOLT SIZE FOR TERMINAL: M6
 THREADED BOLT SIZE FOR GROUND: M6

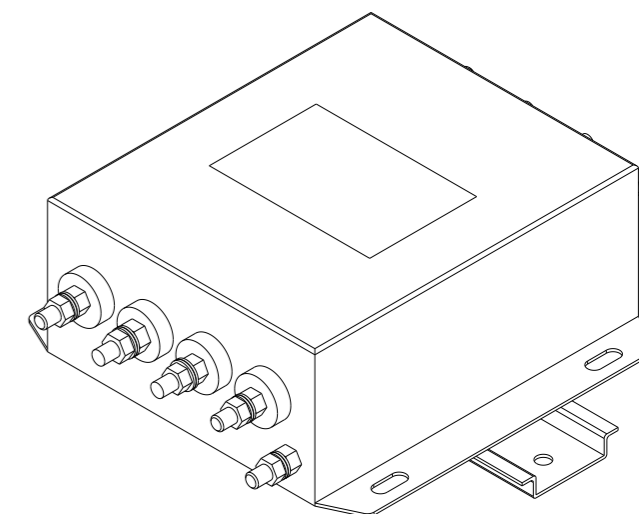
NOTE 3 SUPPLIED WITH DIN RAIL BRACKET.

NOTE 4 DRAWING SHOWS DIN RAIL FOR
 REFERENCE ONLY.

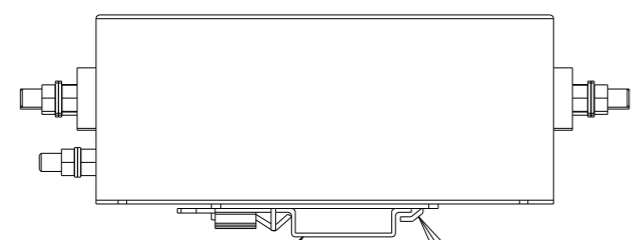
REVISIONS					
P	LTR	DESCRIPTION	DATE	DWN	APVD
		SEE SHEET 1			




REAR SIDE



FRONT SIDE



DIN RAIL BRACKET — DIN 35 BRACKET

THIS DRAWING IS A CONTROLLED DOCUMENT.		DWN SUPREETH R 14APR2021	 TE Connectivity NAME POWER LINE FILTER FOR DIN RAIL 35 INSTALLATION 50KES6AFPWM					
DIMENSIONS: mm		CHK CHRIS BOLLE 14APR2021				SIZE A3	CAGE CODE 00779	DRAWING NO C-6-1609966-1
TOLERANCES UNLESS OTHERWISE SPECIFIED:		APVD CHRIS BOLLE 14APR2021				RESTRICTED TO -		
0 PLC ±- 1 PLC ±0.5 2 PLC ±0.40 3 PLC ±0.130 4 PLC ±0.0500 ANGLES ±-		PRODUCT SPEC -				SCALE 1:2 SHEET 2 OF 2 REV A		
MATERIAL -		FINISH -	WEIGHT -					
			CUSTOMER DRAWING					