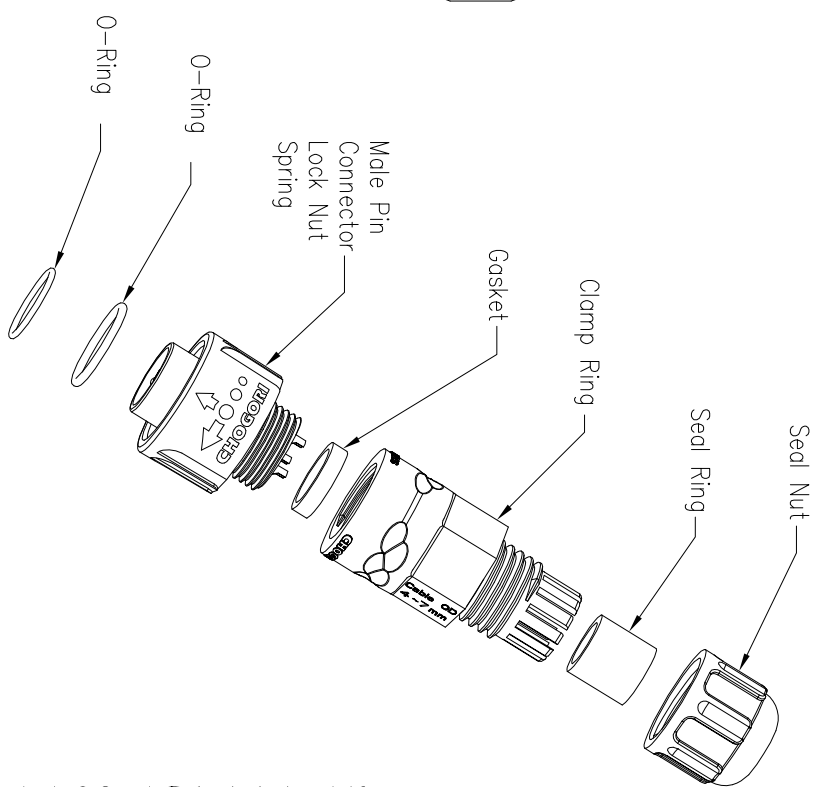
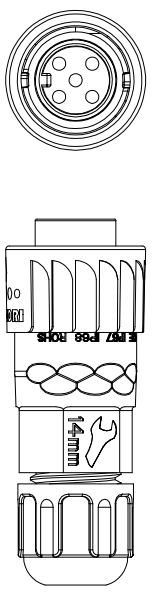
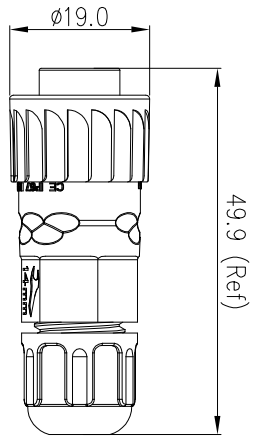
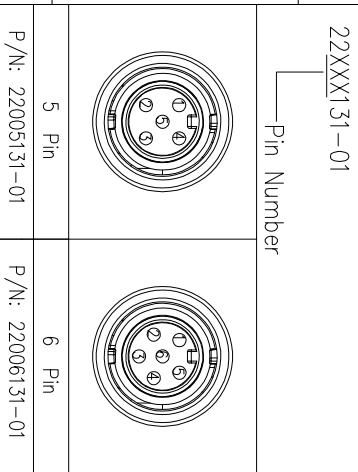


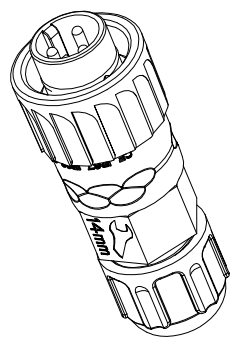
REV.	EN. NO.	DESCRIPTION	SIGN	DATE
C1	N/A	INITIAL DRAWING	Liu	2019/08/13



- Specification:
1. Operation Temperature:  $-45^{\circ}\text{C}\sim 105^{\circ}\text{C}$ .
  2. Insulation Resistance:  $100\text{M}\Omega$  at DC500V.
  3. Contact Resistance:  $<10\text{m}\Omega$
  4. Withstand Voltage: 1300V AC
  5. Operating Current: 5A
  6. Operating Voltage: AC 60V
  7. Waterproof Rate: IP67 (Mated)
  8. Seal Nut: Nylon, Black
  9. Seal Ring: Silicon, Black
  10. Clamp Ring: Nylon, Black
  11. Gasket: Silicon, Red
  12. Male Pin: Copper Alloy, Gold Plated
  13. Connector: Nylon+GF, Black
  14. Lock Nut: Nylon, Blue
  15. Spring: SUS
  16. O-Ring: Silicon, Red
  14. RoHS Compliant.
  15. Cable Range OD:  $\phi 3.5\text{mm}\sim\phi 6.8\text{mm}$
  16. Mating Cap: 804-00009-00



UNIT: mm		DESCRIPTION	
		Standard Series Push Lock Male Pin With Male Pin	
TOLERANCE	X: $\pm 0.25$ XX: $\pm 0.15$ XXX: $\pm 0.05$ ANGLES: $\pm 1'$	SCALE:	1:1
P/N: 22005131-01		REV:	C1
Pin Assignments Front View		SIZE:	A4
P/N: 22006131-01		SHEET:	1 OF 1
* : Inspection Item			



**CHOGORI**

PART NO	22XXX131-01	DRAWN BY	Liu	DATE	2019/08/13
DWG NO		CHECKED BY	Mo	DATE	2019/08/13
CUSTOMER		APPROVED BY	Pamson	DATE	2019/08/13