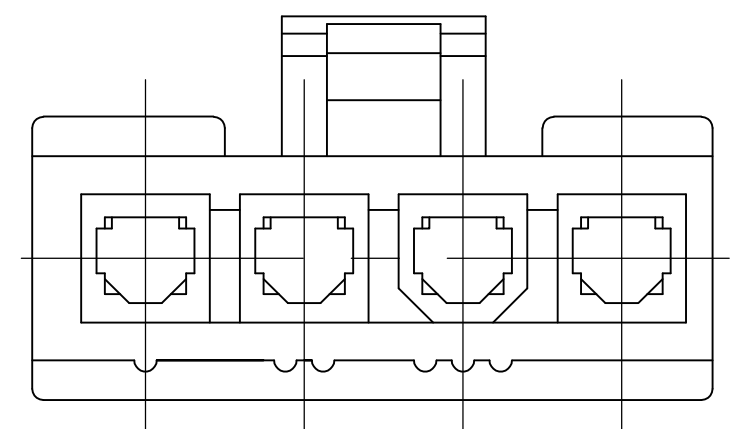
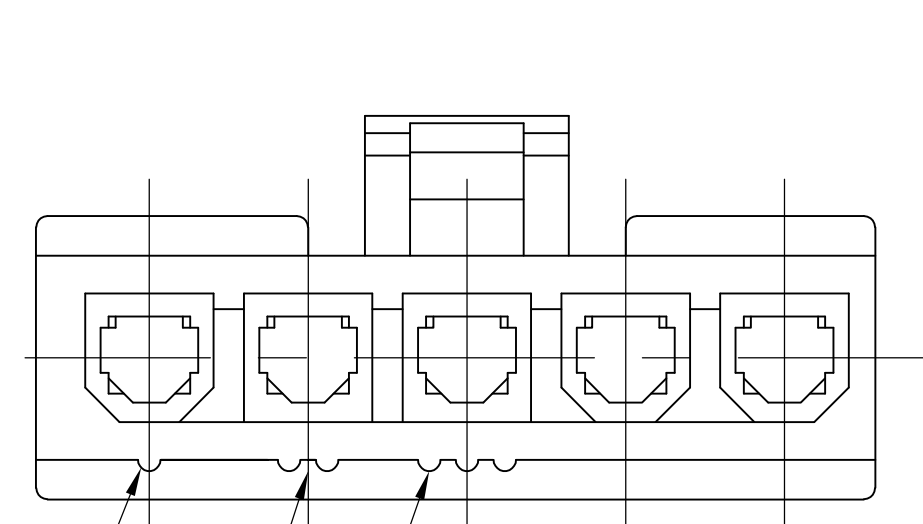
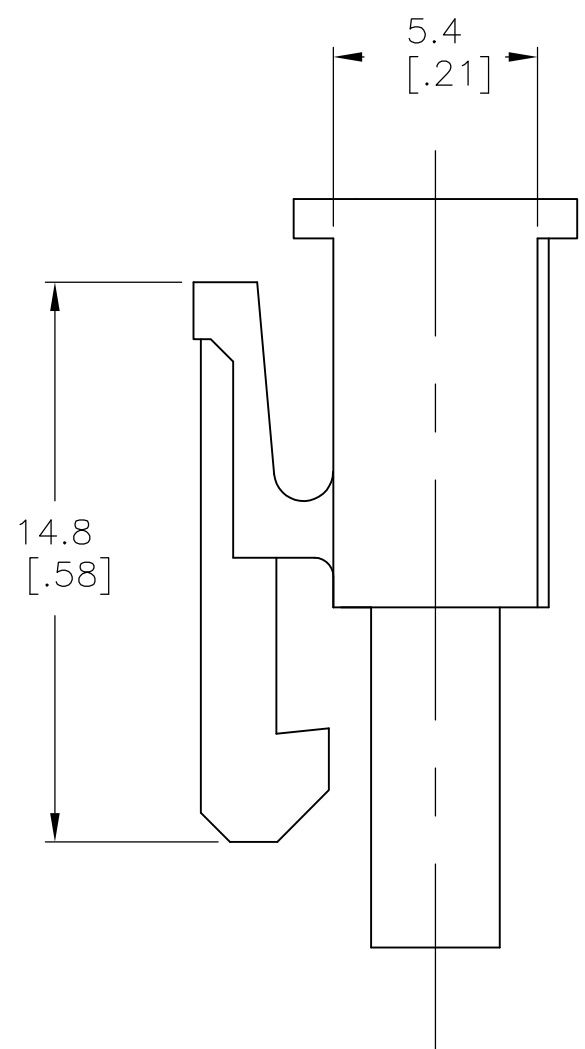
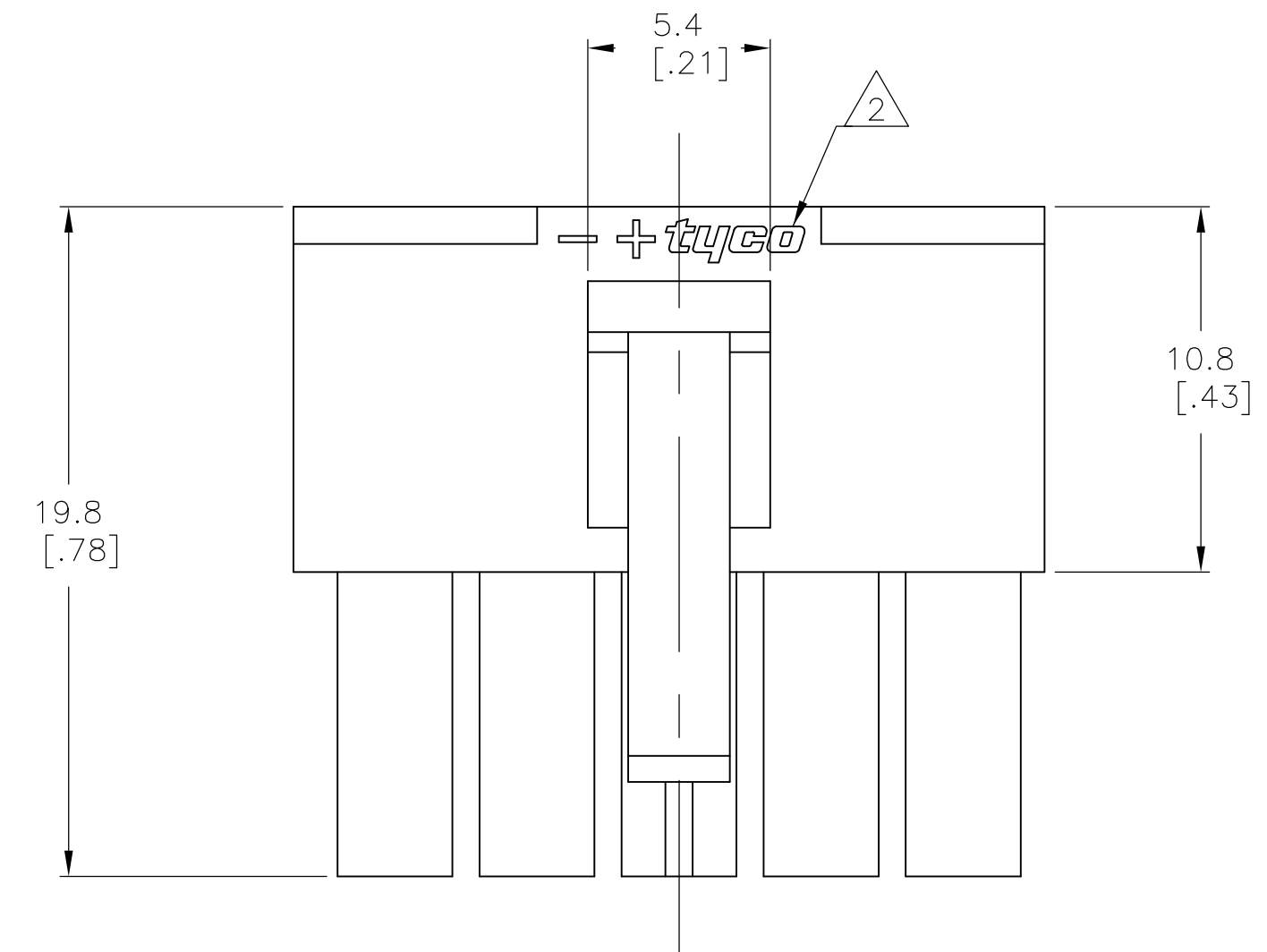
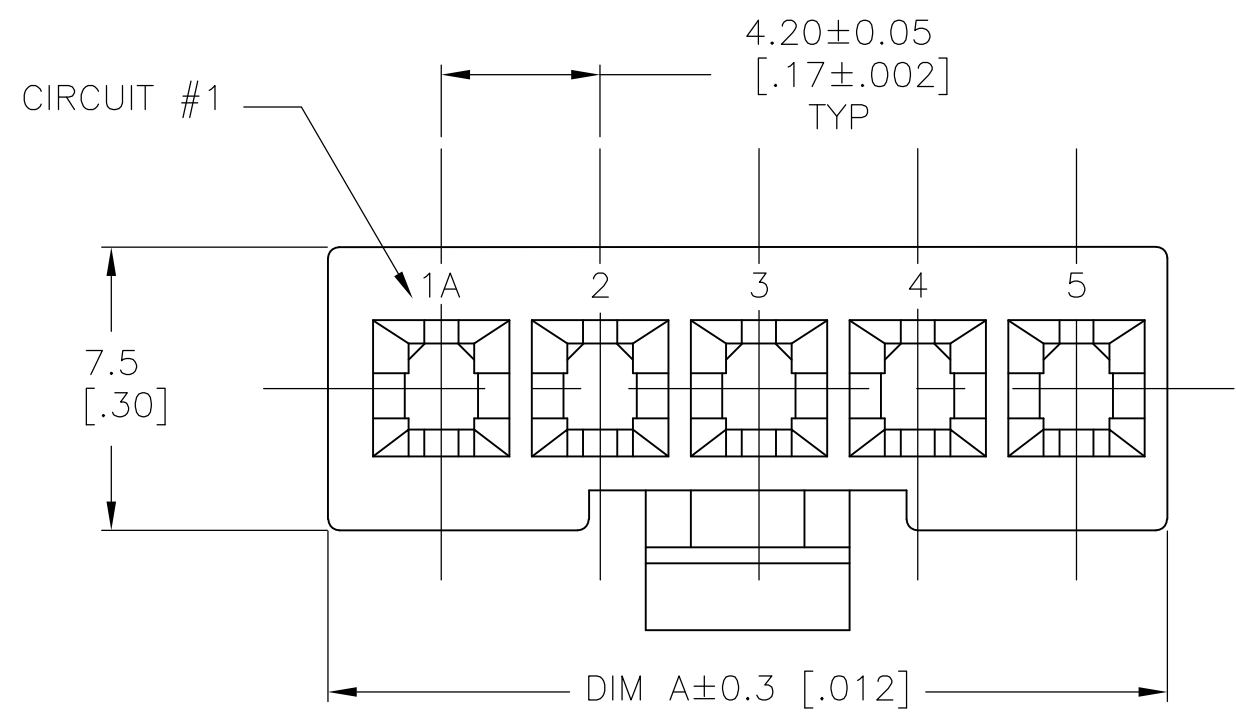


THIS DRAWING IS UNPUBLISHED. RELEASED FOR PUBLICATION
 © COPYRIGHT BY TYCO ELECTRONICS CORPORATION. ALL RIGHTS RESERVED.

LOC	DIST	REVISIONS					
CM	00	P	LTR	DESCRIPTION	DATE	DWN	APVD
		A		WR-08-45	23SEP08	KW	CC



4 POSITION MATING FACE
(FOR POLARIZATION IDENTIFICATION)

- 1 GLOW WIRE APPROVED, CONTACT TYCO ELECTRONICS ENGINEERING FOR SPECIFICATION.
- 2 TE LOGO, - SIZE, LOCATION, AND ORIENTATION OPTIONAL.

1ST CIRCUIT
 2ND CIRCUIT
 3RD CIRCUIT

METRIC

THIS DRAWING IS A CONTROLLED DOCUMENT.		DWN	K. WHITAKER	23SEP2008	Tyco Electronics Corporation Harrisburg, PA 17105-3608
DIMENSIONS: mm [INCHES]		CHK	C. CASH	23SEP2008	
TOLERANCES UNLESS OTHERWISE SPECIFIED:		APVD	C. CASH	23SEP2008	
0 PLC ± - 1 PLC ± 0.2 [.01] 2 PLC ± - 3 PLC ± - 4 PLC ± - ANGLES ± - FINISH -		PRODUCT SPEC	-	NAME	
MATERIAL	-	APPLICATION SPEC	-	SIZE	A2
		WEIGHT	-	CAGE CODE	00779
		CUSTOMER DRAWING	-	DRAWING NO	C=2029178
		SCALE	5:1	SHEET	1 of 1
		RESTRICTED TO	-	REV	A

22.2 [.87]	5	2029178-5
18.0 [.71]	4	2029178-4
DIM A	POS	PART NUMBER