

Device connector, front mounting - CA-06S1N8A6L00 - 1624030

Please be informed that the data shown in this PDF Document is generated from our Online Catalog. Please find the complete data in the user's documentation. Our General Terms of Use for Downloads are valid (<http://phoenixcontact.com/download>)



Device connector for front wall, straight, shielded: yes, for standard and SPEEDCON interlock, M23, No. of pos.: 6, type of contact: Socket, Crimp connection, Axial seal, Central fastening M20 x 1.5, can be positioned via a locking nut

Your advantages

- Safe use in the field, thanks to high degree of protection
- Connector for flexible on-site assembly
- Consistent EMC protection for reliable transmission of signals
- Crimping connection: vibration- and temperature-resistant assembly

Key Commercial Data

| | |
|--------------|---------------|
| Packing unit | 1 pc |
| GTIN | |
| GTIN | 4055626227382 |

Technical data

Data of the insulating body

| | |
|-------------------------------------------------|-----------------------------------------------------------|
| Note | Order information: Order crimp contacts Ø 2 mm separately |
| Coding | N |
| Insulator material | PA 6.6 |
| Contact connection method | Crimp connection |
| Type of contacts | Socket |
| Application | Signal |
| Number of positions | 6 |
| Contact diameter of signal contacts | 2 mm |
| Litz wire cross section of signal contacts min. | 1 mm ² |
| Litz wire cross section of signal contacts max. | 2.5 mm ² |
| Nominal current per signal contact at 25°C | 20 A |
| Nominal voltage, signal contact | 300 V |

Device connector, front mounting - CA-06S1N8A6L00 - 1624030

Technical data

Data of the insulating body

| | |
|----------------------|--------|
| Rated surge voltage | 2.5 kV |
| Overvoltage category | II |
| Degree of pollution | 3 |

Housing data

| | |
|----------------------------------------|----------------------------------------------------------------------|
| Housing material | Turned parts: copper zinc alloy (CuZn), die-cast parts: zinc (GD-Zn) |
| Type of locking | for standard and SPEEDCON interlock |
| Degree of protection (when plugged in) | IP67 |
| Thread type | M23 |

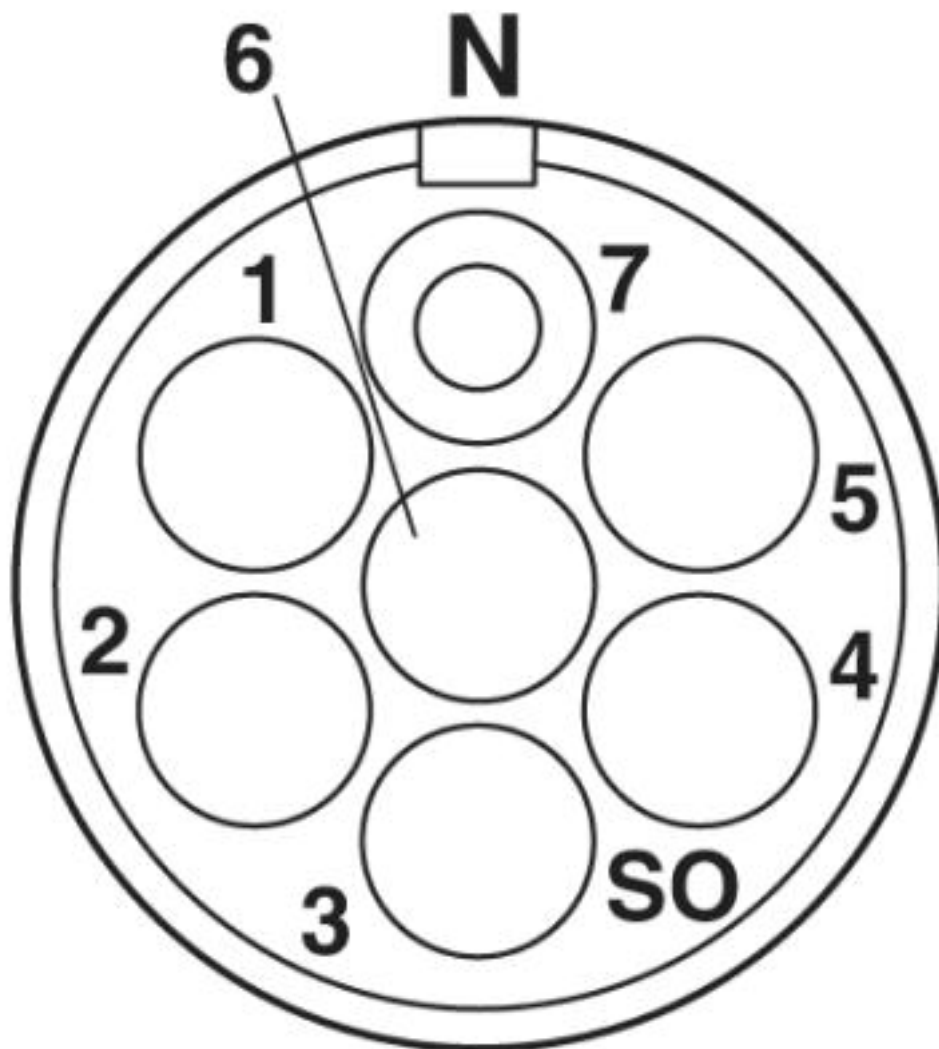
Environmental Product Compliance

| | |
|------------|-----------------------------------------------------------------------------------------------------|
| | Lead 7439-92-1 |
| China RoHS | Environmentally Friendly Use Period = 50 |
| | For details about hazardous substances go to tab "Downloads", Category "Manufacturer's declaration" |

Drawings

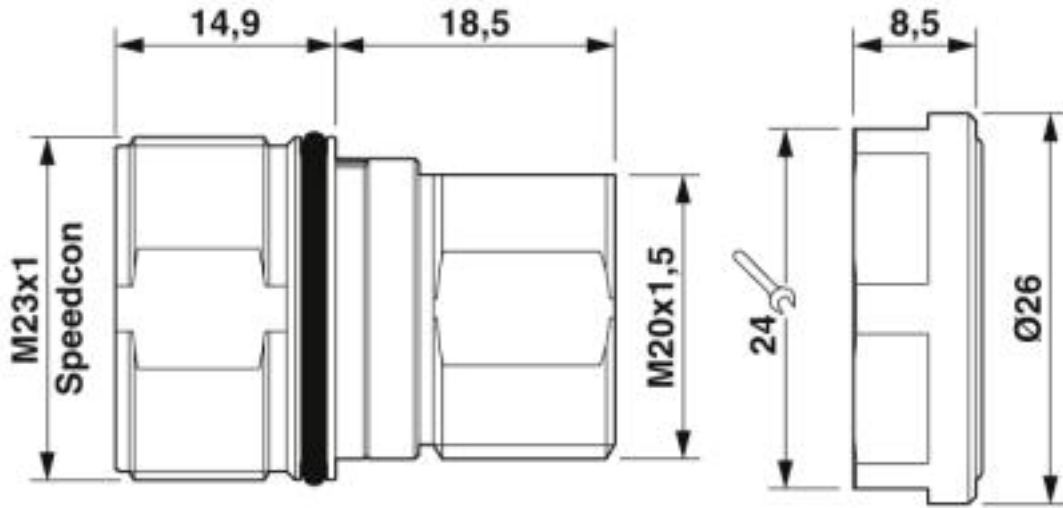
Device connector, front mounting - CA-06S1N8A6L00 - 1624030

Schematic diagram

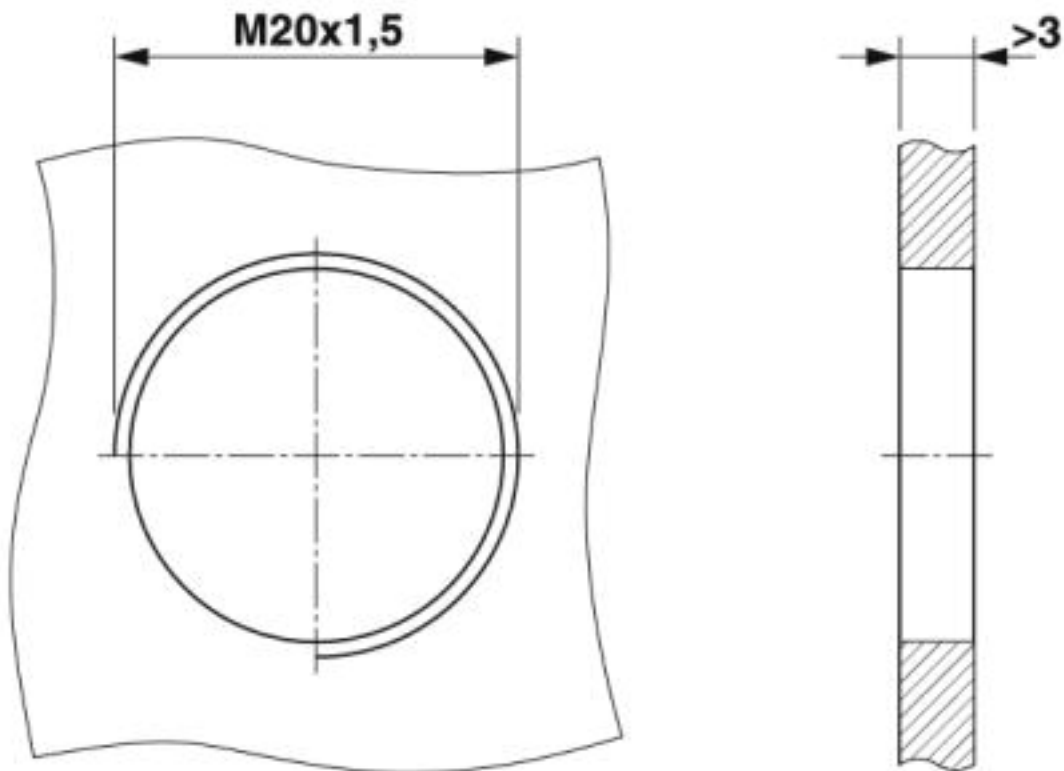


Device connector, front mounting - CA-06S1N8A6L00 - 1624030

Dimensional drawing



Dimensional drawing



Installation dimensions

Phoenix Contact 2019 © - all rights reserved
<http://www.phoenixcontact.com>

PHOENIX CONTACT GmbH & Co. KG
Flachmarktstr. 8
32825 Blomberg
Germany
Tel. +49 5235 300
Fax +49 5235 3 41200
<http://www.phoenixcontact.com>