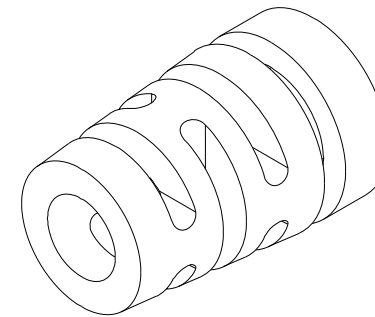
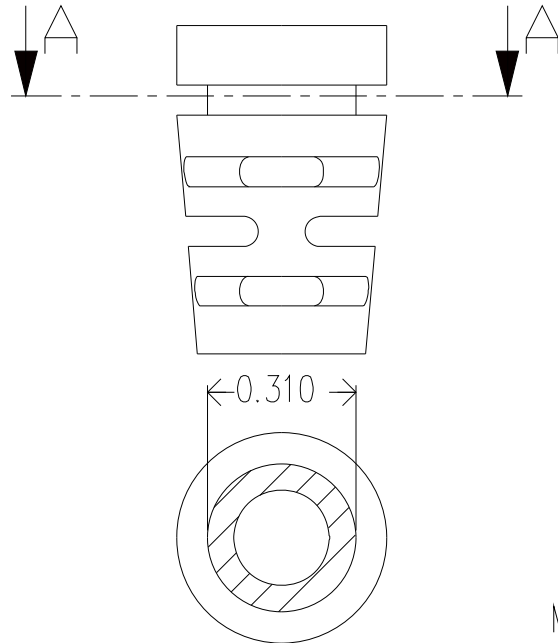
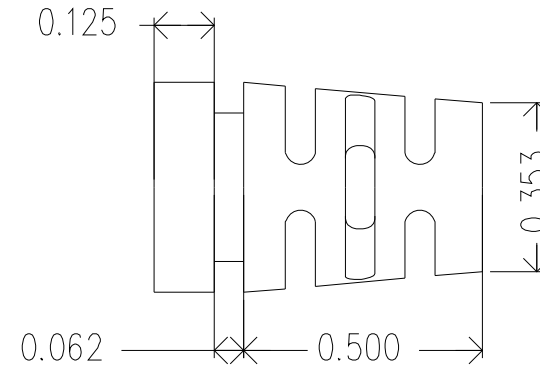
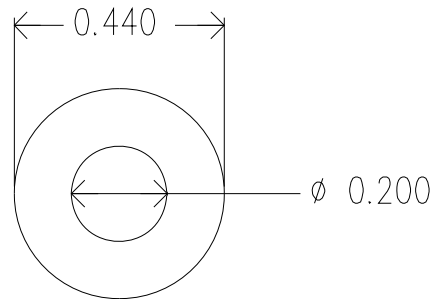


REVISIONS				
ZONE	REV.	DESCRIPTION	DATE	APPROVED
	1	Updated PVC from 5000091 to 5000214	6/9/16	RF



MOLD MATERIAL: ISC P/N: 5000214, PVC, M1472, Black, RoHS

Dimensions are subject to change. PROPRIETARY AND CONFIDENTIAL THE INFORMATION CONTAINED IN THIS DRAWING IS THE SOLE PROPERTY OF ISC ENGINEERING. ANY REPRODUCTION IN PART OR AS A WHOLE WITHOUT THE WRITTEN PERMISSION OF ISC ENGINEERING IS PROHIBITED.		DIMENSIONS ARE IN INCHES TOLERANCES: FRACTIONAL ± ANGULAR: MACH ± BEND ± TWO PLACE DECIMAL ± THREE PLACE DECIMAL ±		DRAWN R FIERRO	DATE 02/12/10	ISC Engineering 4351 Schaefer Ave, China, CA 91710 Ph: 909-596-3315 Fax: 909-596-3335 www.iscengineering.com www.OvermoldTooling.com		
		MATERIAL --		CHECKED	ENG APPR.		Standard Strain Relief 1461080-200-B-310-440-0	
APPLICATION		DO NOT SCALE DRAWING		COMMENTS:		SIZE A		DWG. NO. 1467103
						SCALE: 5:1	WEIGHT:	SHEET 1 OF 1

ISC ENGINEERING
CONTROLLED COPY
 Rich Fierro 06/09/2016