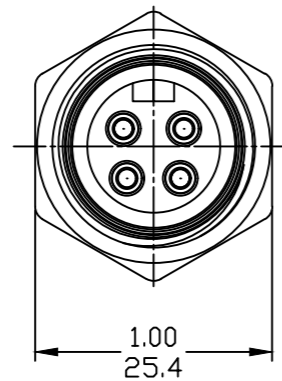
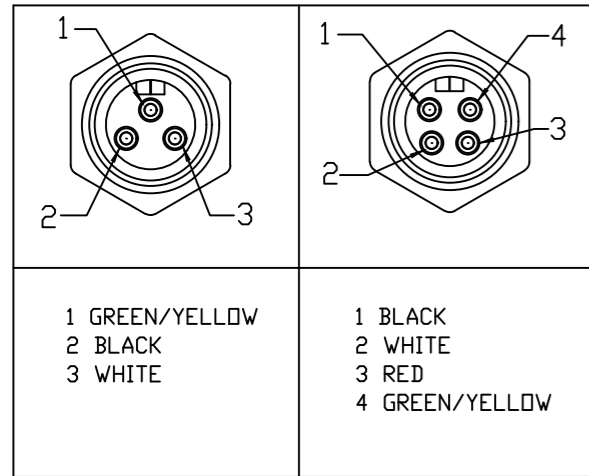


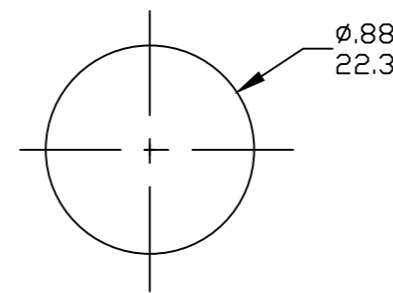
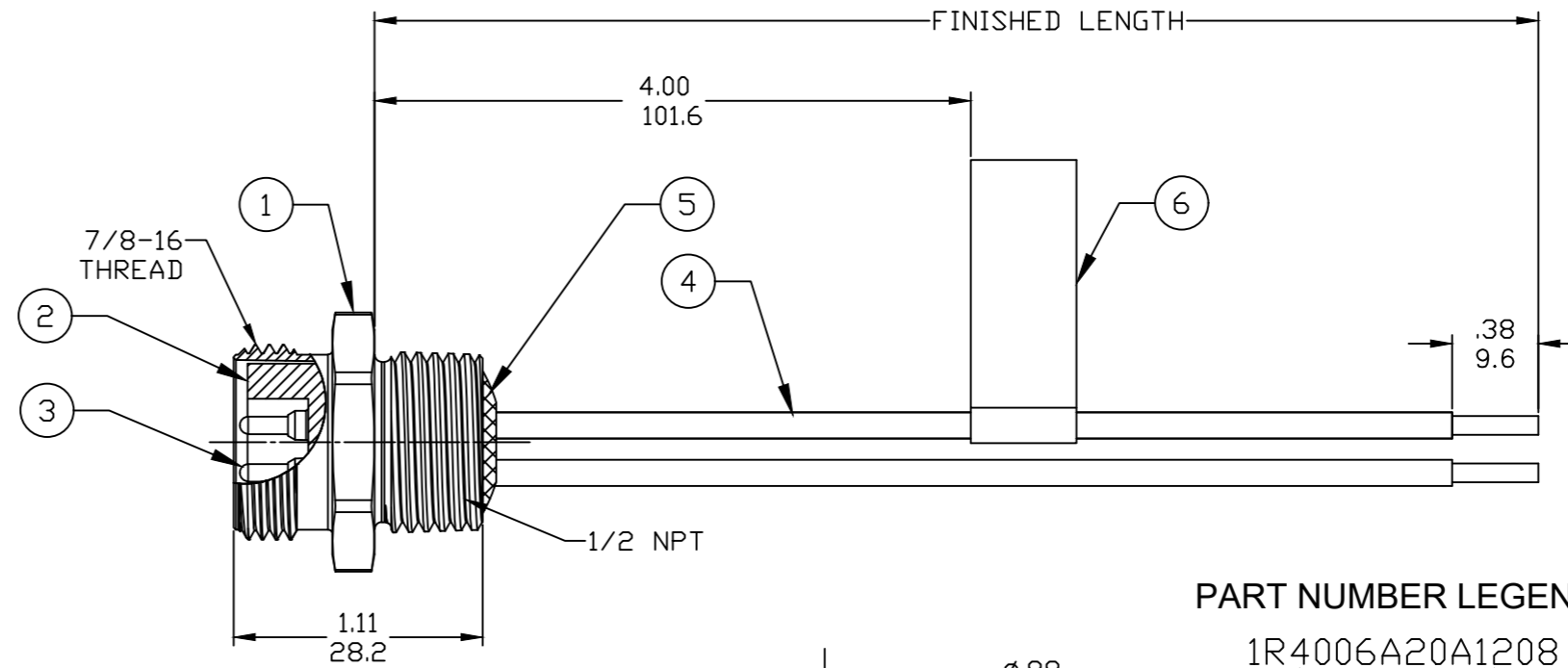
PART NO.	ENGINEERING NO.	FINISHED LENGTH
1300660076	1R4006A20A1208	12 IN
1300131136	1R4006A20F0308	3.0 FT
1300130369	1R4006A20M0108	1.0M

CABLE LENGTH TOLERANCES	
>.3M [1FT]:	+19mm-0 [+.75in-0]
.3 - .9M [1 - 3FT]:	+44.5mm-0 [+1.75in-0]
.9 - 1.8M [3 - 6FT]:	+55.6mm-0 [+2.19in-0]
1.8 - 3.7M [6 - 12FT]:	+88.9mm-0 [+3.50in-0]
3.7 - 7.3M [12 - 24FT]:	+165.1mm-0 [+6.50in-0]
7.3-14.6M [24 - 48FT]:	+317.5mm-0 [+12.50in-0]
14.6 - 30.5M [48-100FT]:	+622.3mm-0 [+24.50in-0]
OVER 30M [100FT]	+2% OF FINISHED LENGTH

FACE VIEW - MALE INSERT



- NOTES:**
- MATERIAL: AS NOTED
 - FINISH: AS NOTED
 - ELECTRICAL:
VOLTAGE: 600V PER UL 2238
3P 500V PER IEC 60664
4P 483V PER IEC 60664
CURRENT: 3 POLE: 13A
4 POLE: 10A
 - TEMP RATING: -20°TO +105°C
 - PROTECTION: IP67, IP69K (WHEN MATED)
 - UL LISTED, FILE: E258922 FOR 3 & 4 POLE
 - ALL DIMS ARE FOR REFERENCE UNLESS OTHERWISE NOTED



REF. KNOCKOUT HOLE

PART NUMBER LEGEND

1R4006A20A1208

↑ POLES ↑ FINISHED LENGTH:
A120= 12 IN.
F030= 3 FEET
F100= 10 FEET

M005= 0.5 METER
M010= 1 METER
M100= 10 METER

ITEM	COMPONENT	MATERIAL	FINISH
6	LABEL	VINYL	BLACK/YELLOW
5	POTTING	EPOXY	
4	WIRE, 16 AWG, UL 1015	PVC INSUL.	SEE FACE VIEW
3	CONTACT PIN	CU ALLOY	GOLD PLATED
2	INSERT	TPE	YELLOW
1	RECEPTACLE SHELL	STAINLESS STEEL 316	PASSIVATED

FUNCTIONAL SYMBOLS $F=0$ $E=0$ $P=0$ DIVISIONAL SYMBOLS	THIS DRAWING CONTAINS INFORMATION THAT IS PROPRIETARY TO MOLEX ELECTRONIC TECHNOLOGIES, LLC AND SHOULD NOT BE USED WITHOUT WRITTEN PERMISSION		CURRENT REV DESC: INITIAL RELEASE	
	DIMENSION UNITS	SCALE		
	INCH/MM	NTS		
	GENERAL TOLERANCES (UNLESS SPECIFIED)			
4 PLACES	±----	±----		
3 PLACES	±----	±----		
2 PLACES	±----	±----		
1 PLACE	±----	±----		
0 PLACES	±----	±----		
ANGULAR TOL ± 1.0 °				
DRAFT WHERE APPLICABLE MUST REMAIN WITHIN DIMENSIONS		THIRD ANGLE PROJECTION	DRAWING	SERIES
		B-SIZE	130066	MATERIAL NUMBER
		CUSTOMER		SHEET NUMBER
		GENERAL MARKET		1 OF 1

MC MALE RECEPT 3P 4P SS
16 AWG

PRODUCT CUSTOMER DRAWING

DOCUMENT NUMBER	DOC TYPE	DOC PART	REVISION
1300660076	PSD	000	A