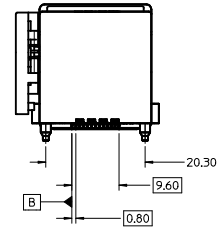
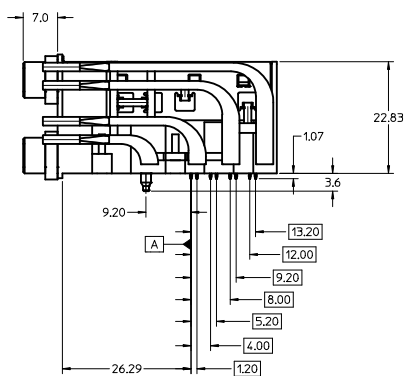
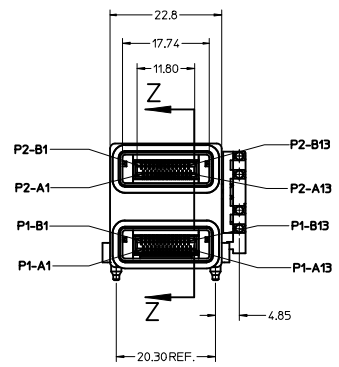
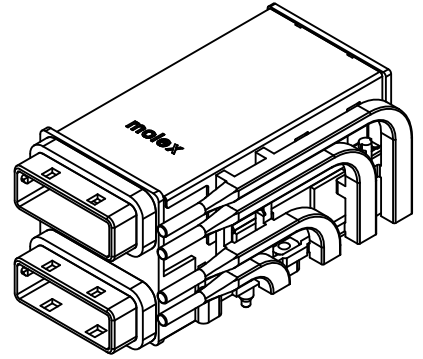
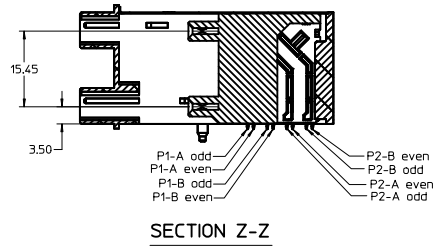
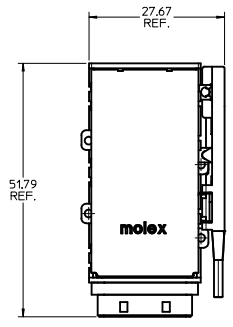
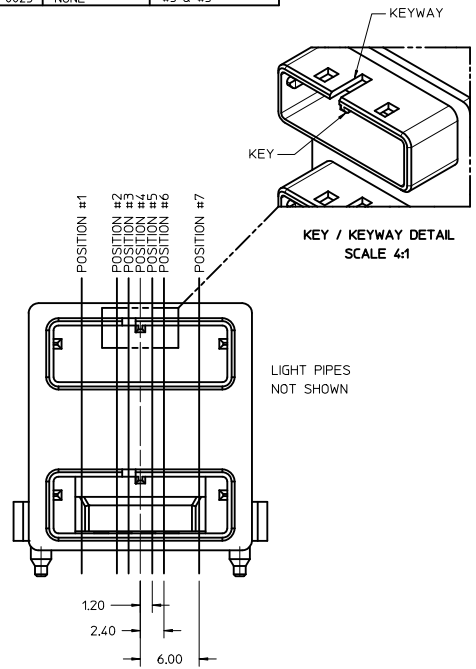
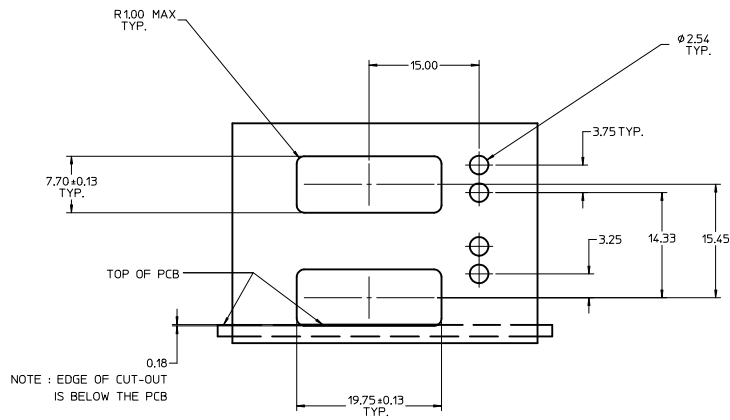


KEY/KEYWAY OPTIONS			
PART NUMBER	KEY POSITION	KEYWAY POSITION	
TIN/LEAD	LEAD-FREE		
75758-0001	75758-0021	NONE	NONE
75758-0002	75758-0022	#3	NONE
75758-0003	75758-0023	#4	NONE
75758-0004	75758-0024	#4	#3 & #5
75758-0005	75758-0025	NONE	#3 & #5



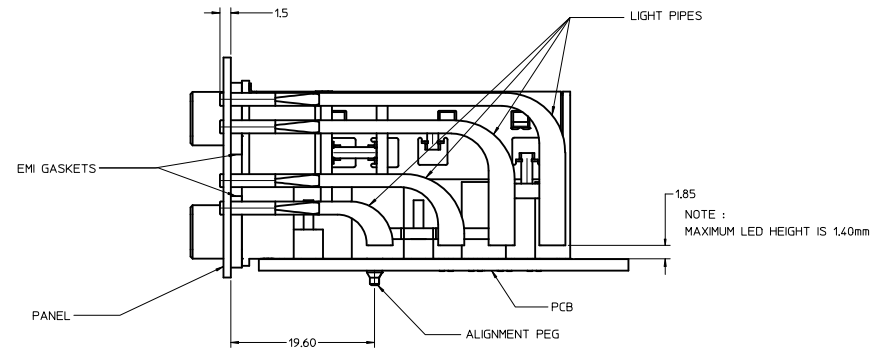
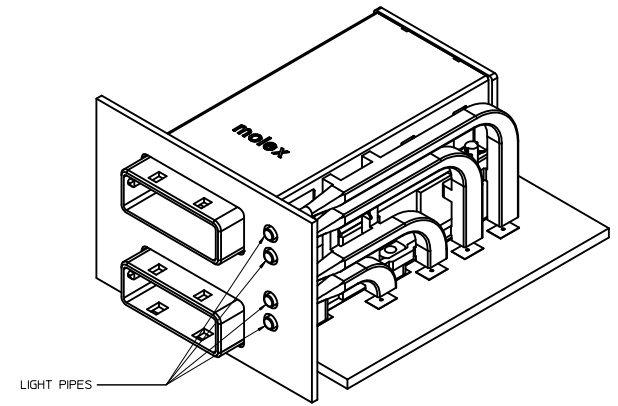
- NOTES :
- MATERIALS :  
 CONNECTOR HOUSING - HIGH TEMP THERMOPLASTIC,  
 GLASS-FILLED, UL94V-0,  
 COLOR - BLACK  
 EMI HOUSING - DIE CAST ALLOY, NICKEL PLATED FINISH  
 COVER - STAINLESS STEEL ALLOY  
 CPI TERMINALS - COPPER ALLOY  
 EMI GASKETS - CONDUCTIVE POLYMER  
 LIGHT PIPE - CLEAR THERMOPLASTIC, UL94V-0
  - TERMINAL PLATING :  
 CONTACT AREA - 0.76µ MIN GOLD OVER 2.54µ MIN NICKEL.  
 COMPLIANT AREA - 0.76-1.52µ TIN/LEAD (90/10) OVER  
 2.54µ MIN NICKEL.
  - PACKAGING SPECIFICATION : TRAY PACK IN BOX.
  - REFER TO PS-75586-001 PRODUCT SPEC FOR ALL ELECTRICAL, MECHANICAL AND ENVIRONMENTAL SPECIFICATIONS.
  - THIS CONNECTOR IS DESIGNED TO MATE WITH MOLEX CABLE SERIES 74548.
  - REQUIRES MOUNTING HARDWARE : (4) M2 X 8MM CAP SCREWS OR EQUIV.  
 MAX. TORQUE 2.3 in/lbs.

ADD LEAD-FREE #'s EC NO. UCP2012-1003 DRWNS:SRIGIEL CHKD: APPR:RBANKS REV DESCRIPTION 2011/10/20	QUALITY SYMBOLS	GENERAL TOLERANCES (UNLESS SPECIFIED)	DIMENSION STYLE	SCALE	DESIGN UNITS	THIRD ANGLE PROJECTION	
	∇=0 ∇=0 ∇=0	4 PLACES ± --- INCH 3 PLACES ± --- INCH 2 PLACES ± 0.25 INCH 1 PLACE ± 0.25 INCH ANGULAR ±1/2°	mm INCH	MM ONLY	2:1	METRIC	DRAWN BY: J JANTELEZ10 CHECKED BY: KLANG APPROVED BY: BANAKIS DATE: 02/05/2008 DATE: 02/05/2008 DATE: 02/05/2008
	DRAFT WHERE APPLICABLE MUST REMAIN WITHIN DIMENSIONS		MATERIAL NO. 75758-000*		DOCUMENT NO. SD-75758-001		TITLE: IPASS STACKED 26/26 CIRCUIT CONNECTOR W/LIGHT PIPES MOLEX INCORPORATED SHEET NO. 1 OF 3



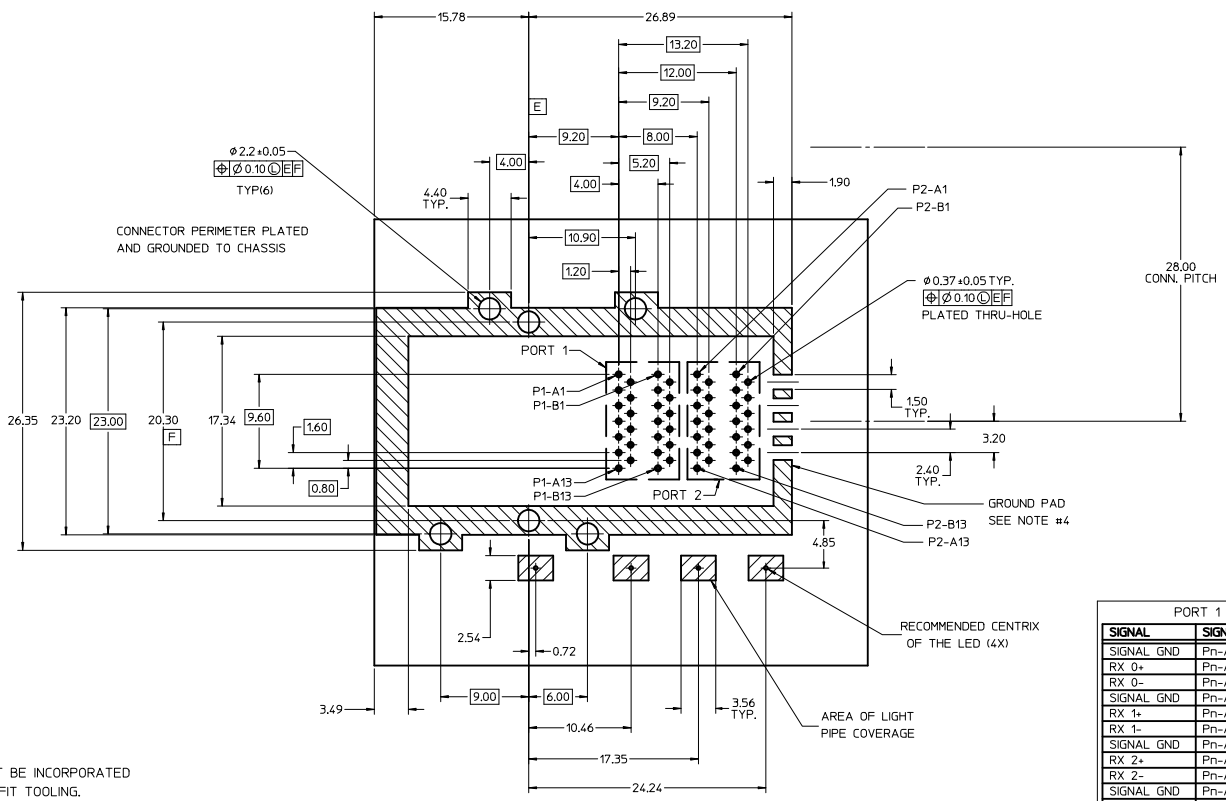
**PANEL CUT-OUT**

MAXIMUM THICKNESS = 1.50  
(NOT SUPPLIED)



**ASSEMBLY VIEW**

<b>SEE SHEET 1</b> EEC NO: UCP2012-1063 DRAWN: SROGIEL 2011/10/13 CHKD: APPR: HBANKIS 2011/10/20	QUALITY SYMBOLS ▽=0 ▽=0 ▽=0	GENERAL TOLERANCES (UNLESS SPECIFIED) <table border="1"> <thead> <tr> <th></th> <th>mm</th> <th>INCH</th> </tr> </thead> <tbody> <tr> <td>4 PLACES</td> <td>±---</td> <td>±---</td> </tr> <tr> <td>3 PLACES</td> <td>±---</td> <td>±---</td> </tr> <tr> <td>2 PLACES</td> <td>±0.25</td> <td>±---</td> </tr> <tr> <td>1 PLACE</td> <td>±0.25</td> <td>±---</td> </tr> <tr> <td colspan="3">ANGULAR ±1/2°</td> </tr> </tbody> </table>		mm	INCH	4 PLACES	±---	±---	3 PLACES	±---	±---	2 PLACES	±0.25	±---	1 PLACE	±0.25	±---	ANGULAR ±1/2°			DIMENSION STYLE <b>MM ONLY</b>	SCALE <b>3:1</b>	DESIGN UNITS <b>METRIC</b>	THIRD ANGLE PROJECTION
		mm	INCH																					
	4 PLACES	±---	±---																					
	3 PLACES	±---	±---																					
2 PLACES	±0.25	±---																						
1 PLACE	±0.25	±---																						
ANGULAR ±1/2°																								
DRAWN BY J JANTELEZIO 02/05/2008	CHECKED BY KLANG 02/05/2008	APPROVED BY BANAKIS 02/05/2008	MATERIAL NO. <b>75758-000*</b>	DOCUMENT NO. <b>SD-75758-001</b>	TITLE <b>IPASS STACKED 26/26 CIRCUIT CONNECTOR W/LIGHT PIPES</b>	MOLEX INCORPORATED																		
DRAFT WHERE APPLICABLE MUST REMAIN WITHIN DIMENSIONS			SIZE <b>D</b>	THIS DRAWING CONTAINS INFORMATION THAT IS PROPRIETARY TO MOLEX INCORPORATED AND SHOULD NOT BE USED WITHOUT WRITTEN PERMISSION																				
			SHEET NO. <b>2 OF 3</b>																					



PORT 1		PORT 2	
SIGNAL	SIGNAL PIN	SIGNAL	SIGNAL PIN
SIGNAL GND	Pn-A1	SIGNAL GND	Pn-B1
RX 0+	Pn-A2	TX 0+	Pn-B2
RX 0-	Pn-A3	TX 0-	Pn-B3
SIGNAL GND	Pn-A4	SIGNAL GND	Pn-B4
RX 1+	Pn-A5	TX 1+	Pn-B5
RX 1-	Pn-A6	TX 1-	Pn-B6
SIGNAL GND	Pn-A7	SIGNAL GND	Pn-B7
RX 2+	Pn-A8	TX 2+	Pn-B8
RX 2-	Pn-A9	TX 2-	Pn-B9
SIGNAL GND	Pn-A10	SIGNAL GND	Pn-B10
RX 3+	Pn-A11	TX 3+	Pn-B11
RX 3-	Pn-A12	TX 3-	Pn-B12
SIGNAL GND	Pn-A13	SIGNAL GND	Pn-B13

PIN ASSIGNMENT

NOTES:

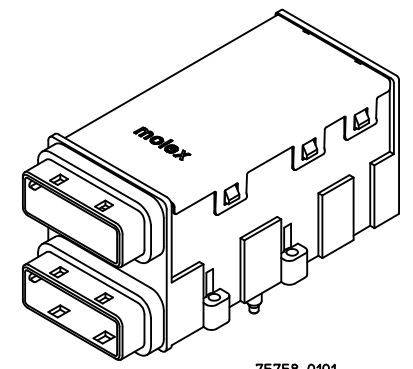
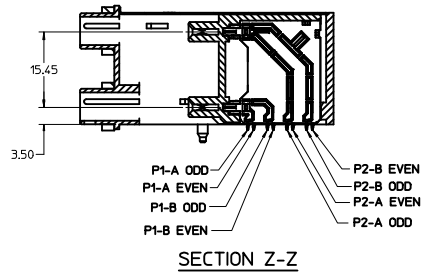
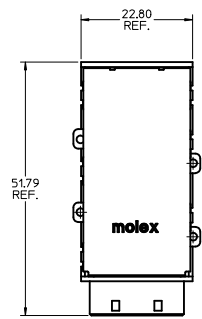
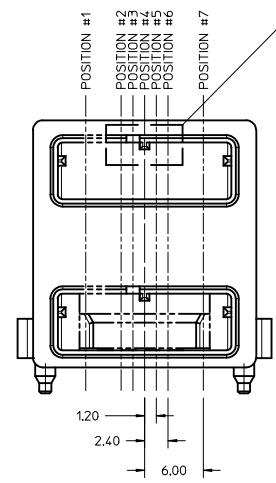
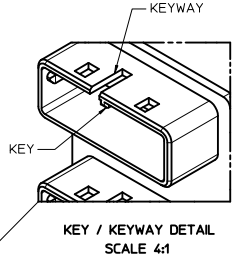
- CROSS-HATCHED AREA MUST BE INCORPORATED IN THE FLAT ROCK PRESS-FIT TOOLING.
- RECOMMENDED LED'S INCLUDE THE FOLLOWING :  
DIALIGHT : 597-77x1-5xx SERIES  
CHICAGO MINIATURE : 7016 SERIES  
KINGBRIGHT : APBL3025 SERIES (BICOLOR)  
APL3015 SERIES (SINGLE COLOR)
- LED'S MUST HAVE A MAXIMUM HEIGHT OF 1.4mm AND A MINIMUM HEIGHT OF 0.7mm
- PLATE GROUND PAD WITH EMERSON SILVER OR GOLD.
- RECOMMENDED DRILL SIZE FOR 0.37φ FINISHED PTH IS 0.457φ (#77 DRILL)
- RECOMMENDED ANNULAR RING AROUND 0.37φ FINISHED PTH IS 0.73φ

RECOMMENDED PCB LAYOUT

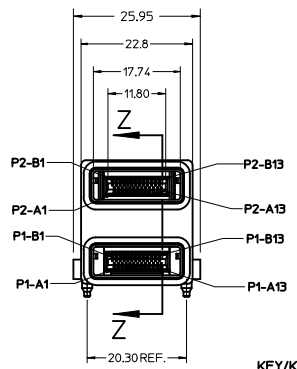
THICKNESS = 1.35mm MIN.

SEE SHEET 1 EIC NO: UCP2012-1063 DRAWNS:BOGIEL CHKD: APPROV:BANAKIS	DATE: 2011/10/13 DESCRIPTION:	QUALITY SYMBOLS ∇=0 ∇=0 ∇=0	GENERAL TOLERANCES (UNLESS SPECIFIED) mm INCH 4 PLACES ±--- ±--- 3 PLACES ±--- ±--- 2 PLACES ±0.25 ±--- 1 PLACE ±0.25 ±--- ANGULAR ±1/2°	DIMENSION STYLE MM ONLY	SCALE 2:1	DESIGN UNITS METRIC	THIRD ANGLE PROJECTION	
	DRAWN BY: JJANTELEZ10 CHECKED BY: KLANG APPROVED BY: BANAKIS	DATE: 02/05/2008 DATE: 02/05/2008 DATE: 02/05/2008	TITLE IPASS STACKED 26/26 CIRCUIT CONNECTOR W/LIGHT PIPES					
	MATERIAL NO: 75758-000*	DOCUMENT NO: SD-75758-001	MOLEX INCORPORATED					
	DRAFT WHERE APPLICABLE MUST REMAIN WITHIN DIMENSIONS		SHEET NO. 3 OF 3 THIS DRAWING CONTAINS INFORMATION THAT IS PROPRIETARY TO MOLEX INCORPORATED AND SHOULD NOT BE USED WITHOUT WRITTEN PERMISSION					

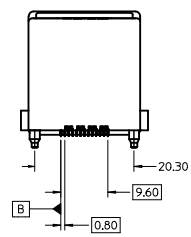
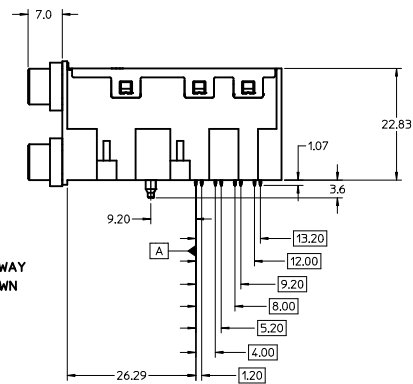
KEYING & PLATING OPTIONS			
TIN/LEAD PART NUMBER	LEAD FREE PART NUMBER	KEY POSITION	KEYWAY POSITION
75758-0101	75758-0201	NONE	NONE
75758-0102	75758-0202	#3	NONE
75758-0103	75758-0203	#4	NONE
75758-0104	75758-0204	#4	#3 & #5
75758-0105	75758-0205	NONE	#3 & #5
75758-0106	75758-0206	#4	#3
75758-0107	75758-0207	NONE	#3
75758-0108	75758-0208	#4	#5
75758-0109	75758-0209	NONE	#5
75758-0110	75758-0210	#2 & #4	NONE
75758-0111	75758-0211	#4 & #6	NONE



75758-0101  
SHOWN FOR REF. ONLY

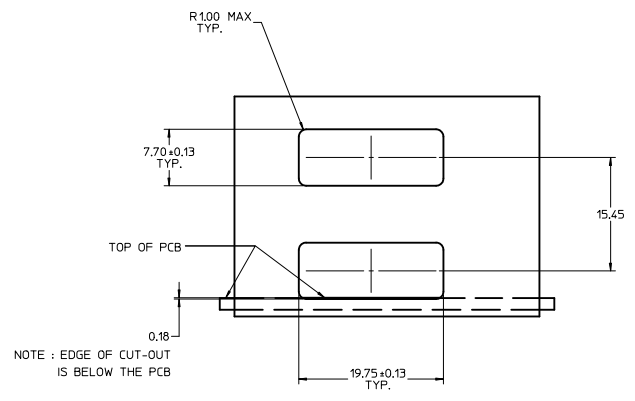


KEY/KEYWAY NOT SHOWN

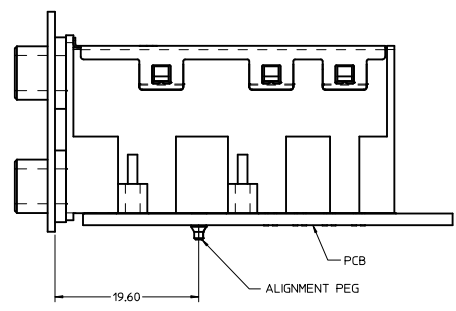
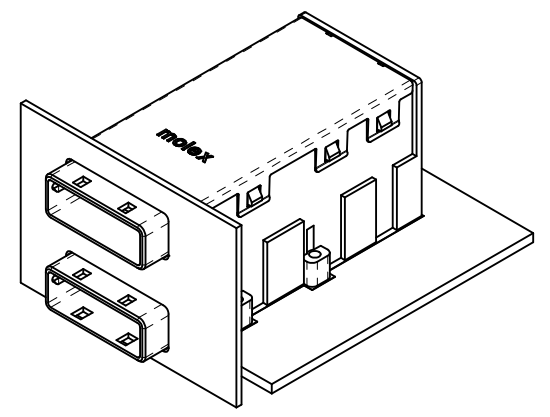


- NOTES :
- MATERIALS :
    - CONNECTOR HOUSING - HIGH TEMP THERMOPLASTIC, GLASS-FILLED, UL94V-0, COLOR - BLACK
    - EMI HOUSING - DIE CAST ALLOY, FINISH: NICKEL
    - COVER - STAINLESS STEEL ALLOY
    - CPI TERMINALS - COPPER ALLOY
    - EMI GASKETS - CONDUCTIVE POLYMER
  - TERMINAL PLATING : SEE CHART
    - OPTION 1) TIN/LEAD - CONTACT AREA - 0.7μ MIN GOLD OVER 2.5μ MIN NICKEL. COMPLIANT AREA - 0.7-1.54μm TIN/LEAD (90/10) OVER 1.24μm MIN NICKEL.
    - OPTION 2) LEAD FREE - CONTACT AREA - 0.7μ MIN GOLD OVER 2.5μ MIN NICKEL. COMPLIANT AREA - 0.7-1.54μm TIN (TIN ONLY) OVER 1.24μm MIN NICKEL.
  - PACKAGING SPECIFICATION : TRAY PACK (TBD)
  - REFER TO PS-75586-001 PRODUCT SPEC FOR ALL ELECTRICAL, MECHANICAL AND ENVIRONMENTAL SPECIFICATIONS.
  - THIS CONNECTOR IS DESIGNED TO MATE WITH MOLEX CABLE SERIES 74548.
  - REQUIRES MOUNTING HARDWARE : (4) M2 X 8MM CAP SCREWS OR EQUIV. MAX. TORQUE 2.3 in/lbs.
  - PRODUCT IS RoHS COMPLIANT.

ADD LEAD-FREE EC NO: UCP2012-1063 DRWNSB04LEL CHKD: APPROVED: MBANAKIS 2011/10/20	QUALITY SYMBOLS ∇=0 ∇=0 ∇=0	GENERAL TOLERANCES (UNLESS SPECIFIED) mm INCH		DIMENSION STYLE MM ONLY	SCALE 2:1	DESIGN UNITS METRIC	THIRD ANGLE PROJECTION
		4 PLACES ± --- ± --- 3 PLACES ± --- ± --- 2 PLACES ± 0.25 ± --- 1 PLACE ± 0.25 ± --- ANGULAR ±1/2°	DRAWN BY JANTELEZ10 DATE 01/23/08	CHECKED BY KLANG DATE 01/23/08	APPROVED BY MBANAKIS DATE 01/23/08	TITLE IPASS STACKED 26/26 CIRCUIT CONNECTOR	
DRAFT WHERE APPLICABLE MUST REMAIN WITHIN DIMENSIONS		MATERIAL NO. 75758-010*		DOCUMENT NO. SD-75758-010		MOLEX INCORPORATED	
SIZE D		THIS DRAWING CONTAINS INFORMATION THAT IS PROPRIETARY TO MOLEX INCORPORATED AND SHOULD NOT BE USED WITHOUT WRITTEN PERMISSION					

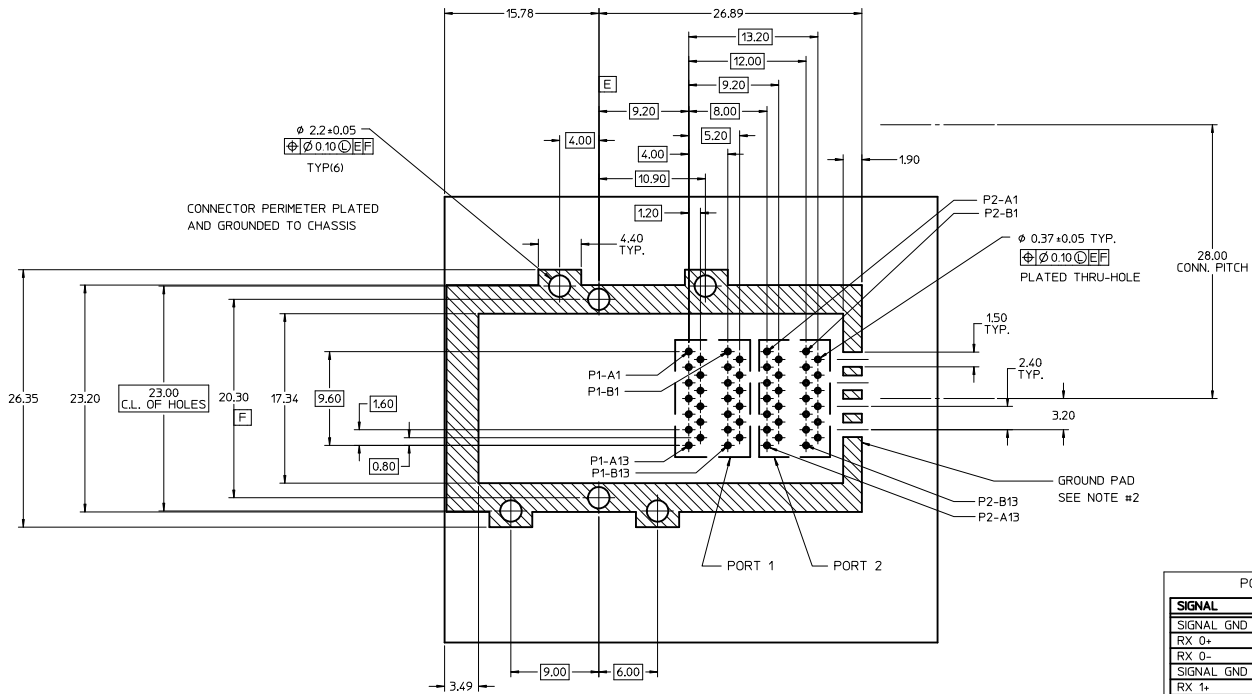


**PANEL CUT-OUT**  
 MAXIMUM THICKNESS = 1.50  
 (NOT SUPPLIED)



**ASSEMBLY VIEW**

SEE SHEET 1 IEC NO: UCP2012-1063 DORWNSBOGIEL 2011/09/14 CHKD: APPR:MBANKIS 2011/10/20	QUALITY SYMBOLS	GENERAL TOLERANCES (UNLESS SPECIFIED)	DIMENSION STYLE	SCALE	DESIGN UNITS	THIRD ANGLE PROJECTION
	▽=0	mm INCH	MM ONLY	3:1	METRIC	
	▽=0	4 PLACES ±--- ±---	DRAWN BY	DATE	TITLE	
	▽=0	3 PLACES ±--- ±---	JJANTELEZIO 01/23/08	01/23/08	IPASS STACKED 26/26 CIRCUIT CONNECTOR	
▽=0	2 PLACES ±0.25 ±---	CHECKED BY	DATE	MOLEX INCORPORATED MATERIAL NO. 75758-010* DOCUMENT NO. SD-75758-010 SHEET NO. 2 OF 3		
▽=0	1 PLACE ±0.25 ±---	KLANG 01/23/08	01/23/08			
	ANGULAR ±1/2°	APPROVED BY	DATE			
		MBANKIS 01/23/08	01/23/08			
	DRAFT WHERE APPLICABLE MUST REMAIN WITHIN DIMENSIONS	THIS DRAWING CONTAINS INFORMATION THAT IS PROPRIETARY TO MOLEX INCORPORATED AND SHOULD NOT BE USED WITHOUT WRITTEN PERMISSION				



**RECOMMENDED PCB LAYOUT**

THICKNESS = 1.35mm MIN.

**NOTES:**

- CROSS-HATCHED AREA MUST BE INCORPORATED IN THE FLAT ROCK PRESS-FIT TOOLING.
- RECOMMENDED LED'S INCLUDE THE FOLLOWING :  
DIALIGHT : 597-77x1-5xx SERIES  
CHICAGO MINIATURE : 7016 SERIES  
KINGBRIGHT : APBL3025 SERIES (BICOLOR)  
APL3015 SERIES (SINGLE COLOR)
- LED'S MUST HAVE A MAXIMUM HEIGHT OF 1.4mm AND A MINIMUM HEIGHT OF 0.7mm
- PLATE GROUND PAD WITH EMERSON SILVER OR GOLD.
- RECOMMENDED DRILL SIZE FOR 0.37Ø FINISHED PTH IS 0.457Ø (#77 DRILL)
- RECOMMENDED ANNULAR RING AROUND 0.37Ø FINISHED PTH IS 0.73Ø

PORT 1		PORT 2	
SIGNAL	SIGNAL PIN	SIGNAL	SIGNAL PIN
SIGNAL GND	A1	SIGNAL GND	B1
RX 0-	A2	TX 0+	B2
RX 0-	A3	TX 0-	B3
SIGNAL GND	A4	SIGNAL GND	B4
RX 1+	A5	TX 1+	B5
RX 1-	A6	TX 1-	B6
SIGNAL GND	A7	SIGNAL GND	B7
RX 2+	A8	TX 2+	B8
RX 2-	A9	TX 2-	B9
SIGNAL GND	A10	SIGNAL GND	B10
RX 3+	A11	TX 3+	B11
RX 3-	A12	TX 3-	B12
SIGNAL GND	A13	SIGNAL GND	B13

**PIN ASSIGNMENT**

<b>SEE SHEET 1</b> EC NO: UCP2012-1063 DRAWNS:BOGIEL 2011/09/14 CHKD: APPROV:MBANKIS 2011/10/20 REV DESCRIPTION	QUALITY SYMBOLS	GENERAL TOLERANCES (UNLESS SPECIFIED)	DIMENSION STYLE	SCALE	DESIGN UNITS	THIRD ANGLE PROJECTION
	▽=0	4 PLACES ± mm ± INCH	MM ONLY	2:1	METRIC	
	▽=0	3 PLACES ± 0.25 ± 0.010				
	▽=0	1 PLACE ± 0.25 ± 0.010				
		ANGULAR ±1/2°				
		DRAFT WHERE APPLICABLE MUST REMAIN WITHIN DIMENSIONS				
			MATERIAL NO.	DOCUMENT NO.	TITLE	
			75758-010*	SD-75758-010	IPASS STACKED 26/26 CIRCUIT CONNECTOR	
					MOLEX INCORPORATED	
					SHEET NO. 3 OF 3	