

8

7

6

5

4

3

2

1

ENG. NO

SD 35965-029*

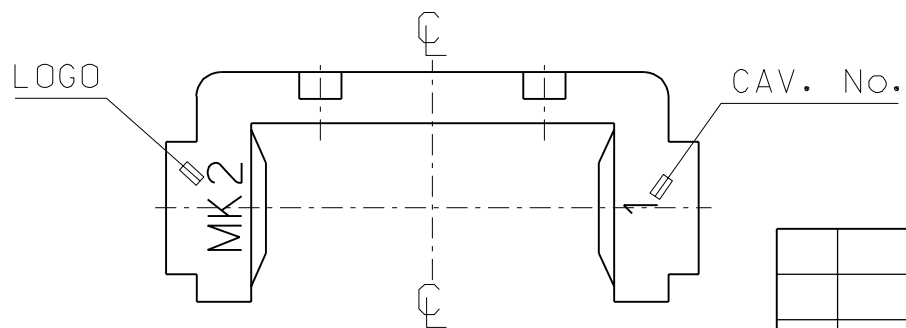
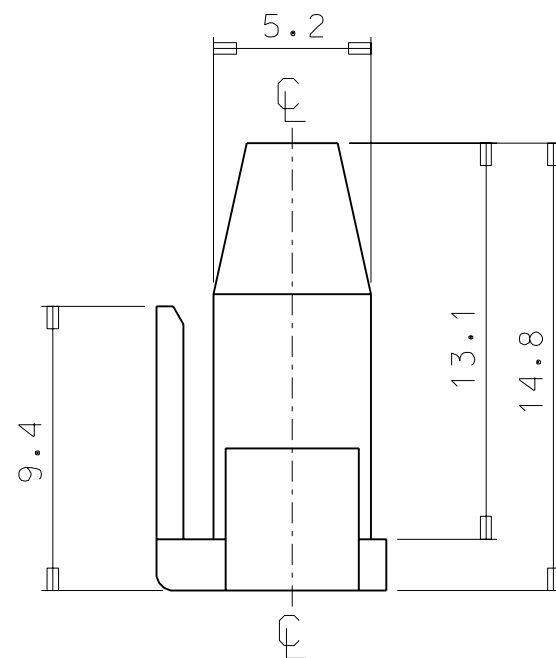
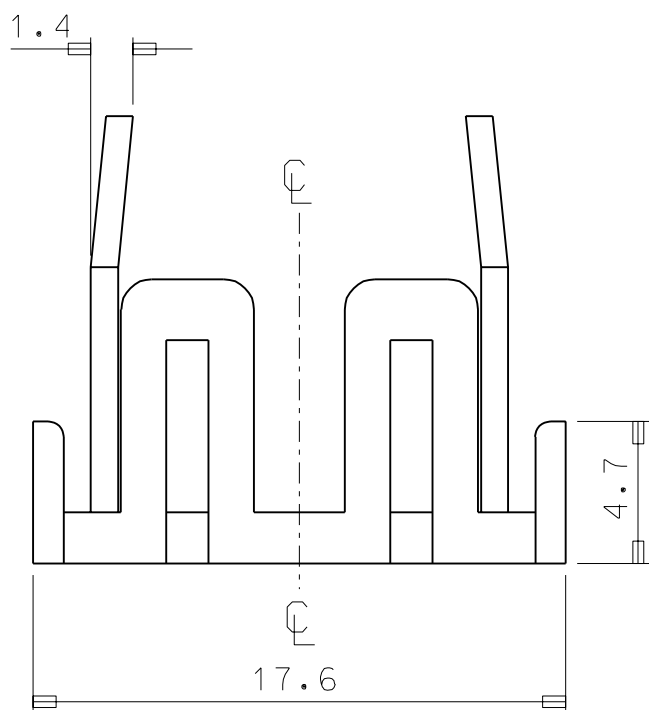
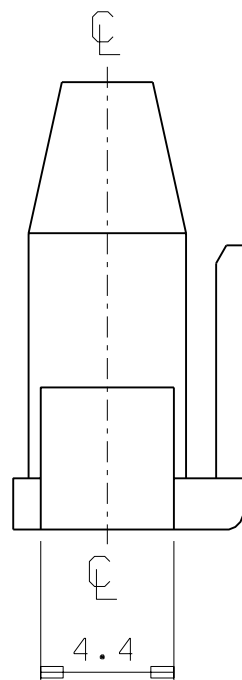
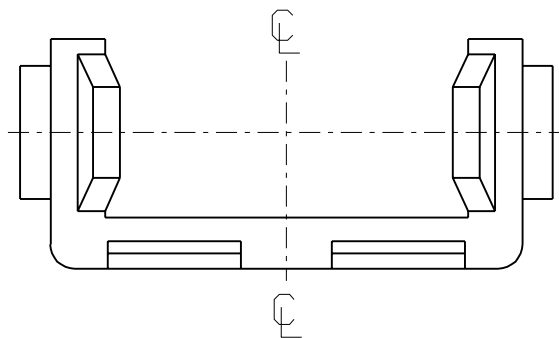
EDP NO.

SIMILAR ITEM

PROJECT NO.

NOTES

- 1. MATERIAL : NYLON 66 (UL94V-2)
- 2. COLOR : 35965-0290 (NATURAL)
35965-0292 (RED)
35965-0293 (YELLOW)
35965-0294 (BLUE)
- 3. MATCHED HOUSING : 35965-020*
35965-021*



				MATERIAL SEE NOTES		molex MOLEX-KOREA CO.,LTD.	
				GENERAL TOLERANCE DIMENSION : ±0.3 ANGLE : ±1°		DRAWN BY J.S.KANG	
				DIMENSION CLASSIFICATION ▽ : CRITICAL ▼ : MAJOR () : REFERENCE		CHK'D BY	
A NEW RELEASED				96 12.12		APP'D BY	
LTR REVISION RECORD				ECN		SCALE 4/1	
REVISION RECORD				DATE		TITLE: .070 MULTI FEMALE HOUSING T.P.A-2P	
REVISION RECORD				DATE		SHEET 1 of 1	
REVISION RECORD				DATE		REV A	
REVISION RECORD				DATE		ENG. NO. SD 35965-029*	