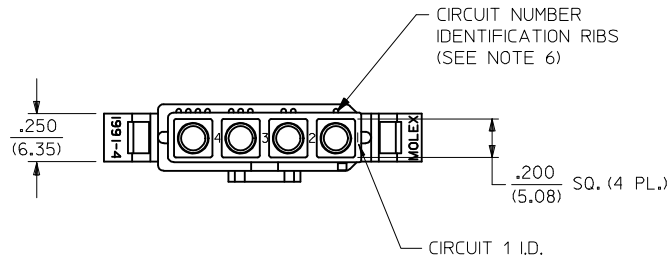
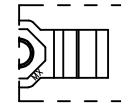
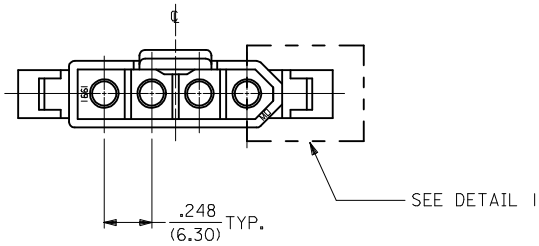
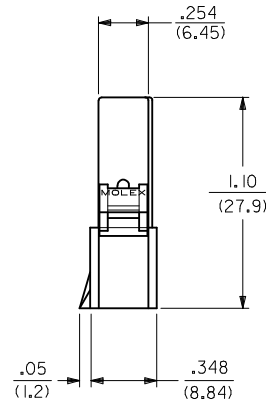
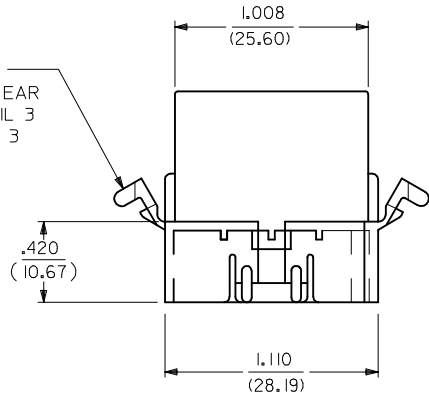


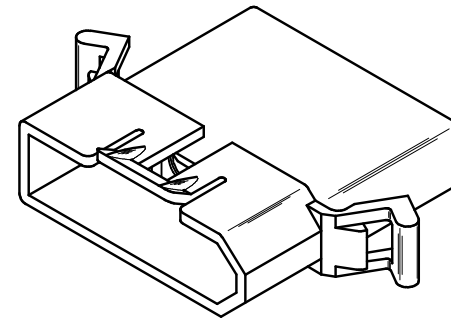
PLUG



OPTIONAL MOUNTING EAR SEE DETAIL 3 ON SHEET 3



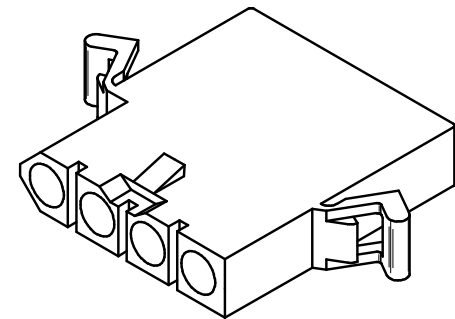
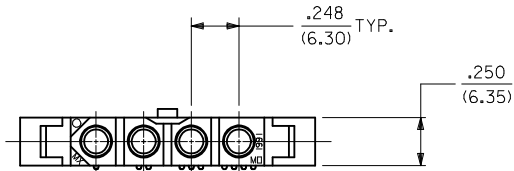
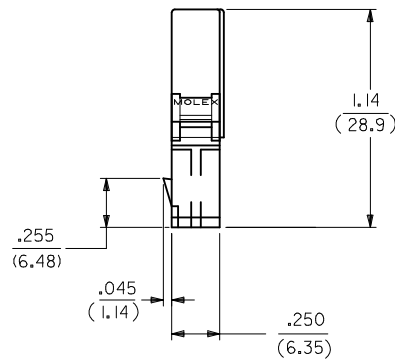
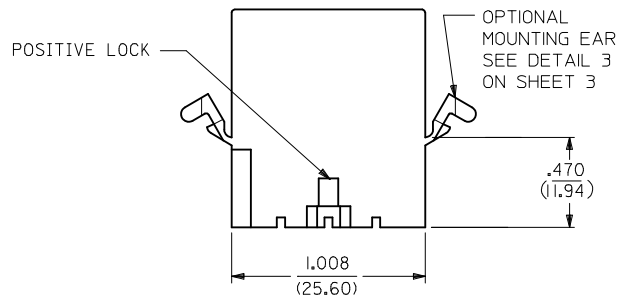
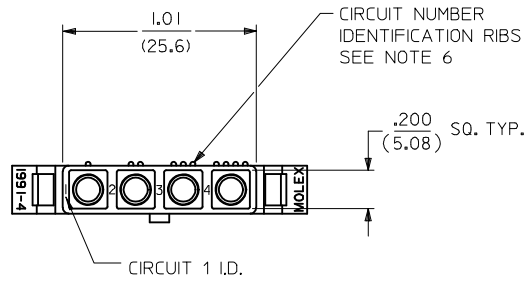
DETAIL 1



PLUG HOUSING

REMOVE 1991-4R EC NO: UCP2014-3949 DRWN:KIPPER 2014/03/27 CHKD:ANDERSON 2014/03/27 APPR:FSMITH 2014/06/10	QUALITY SYMBOLS ▽=0 ▽=0 ▽=0	GENERAL TOLERANCES (UNLESS SPECIFIED)		DIMENSION STYLE IN/MM	SCALE 2:1	DESIGN UNITS INCH	THIRD ANGLE PROJECTION	
		4 PLACES ± .005 ± .005	mm	INCH	DRAWN BY GEP	DATE 1988/03/01	.093/(2.36) HOUSINGS, PLUG AND RECEPTACLE, 4 CKT, .248/(6.30) CTRS. molex	
		3 PLACES ± .005 ± .010			CHECKED BY RW	DATE 1988/03/01		
		2 PLACES ± 0.25 ± .014			APPROVED BY FSMITH	DATE 2014/06/10	DOCUMENT NO. SD-1991-4*	SHEET NO. 1 OF 3
1 PLACE ± 0.35 ± .014			ANGULAR ± 1 °		THIS DRAWING CONTAINS INFORMATION THAT IS PROPRIETARY TO MOLEX INCORPORATED AND SHOULD NOT BE USED WITHOUT WRITTEN PERMISSION			
0 PLACE ± .005 ± .005			DRAFT WHERE APPLICABLE MUST REMAIN WITHIN DIMENSIONS					
REV J1	DESCRIPTION			SIZE C				

RECEPTACLE



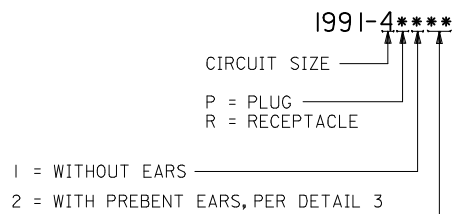
RECEPTACLE HOUSING

SEE SHEET 1 EC NO: UCP2014-3949 DRWN:KIPPER 2014/03/27 CHKD:ANDERSON 2014/03/27 APPR:FSMITH 2014/06/10	QUALITY SYMBOLS ▽=0 ▽=0 ▽=0	GENERAL TOLERANCES (UNLESS SPECIFIED)		DIMENSION STYLE IN/MM	SCALE 2:1	DESIGN UNITS INCH	THIRD ANGLE PROJECTION		
		4 PLACES ± --- ± ---	3 PLACES ± --- ± .010	2 PLACES ± 0.25 ± .014	1 PLACE ± 0.35 ± ---	0 PLACE ± --- ± ---	DRAWN BY GEP	DATE 1988/03/01	TITLE .093/(2.36) HOUSINGS, PLUG AND RECEPTACLE, 4 CKT, .248/(6.30) CTRS. molex
		ANGULAR ± 1 °					CHECKED BY RW	DATE 1988/03/01	
		DRAFT WHERE APPLICABLE MUST REMAIN WITHIN DIMENSIONS					APPROVED BY FSMITH	DATE 2014/06/10	
MATERIAL NO. SEE CHART		DOCUMENT NO. SD-1991-4*		SHEET NO. 2 OF 3					

THIS DRAWING CONTAINS INFORMATION THAT IS PROPRIETARY TO MOLEX INCORPORATED AND SHOULD NOT BE USED WITHOUT WRITTEN PERMISSION

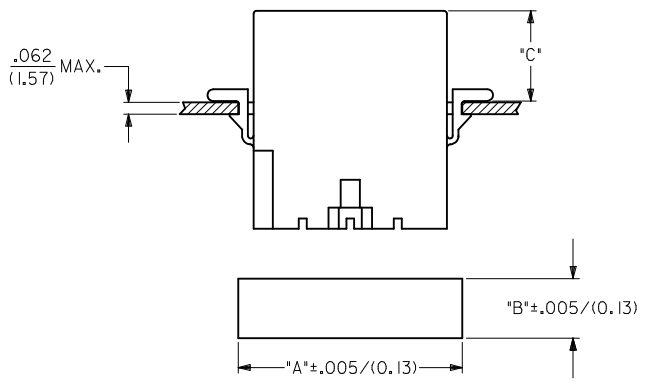
PLUG		RECEPTACLE	
PART NO.	ENG. NO.	PART NO.	ENG. NO.
19-09-2042	1991-4P1	19-09-1042	1991-4R1
19-09-2043	1991-4P2	19-09-1043	1991-4R2

LEGEND:

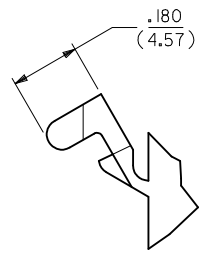
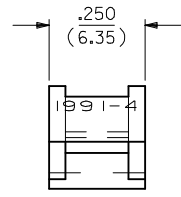


COLOR: BLANK=NATURAL COLOR

- AM=AMBER BK=BLACK BU=BLUE
- BN=BROWN GY=GRAY GN=GREEN
- OR=ORANGE RD=RED YW=YELLOW



HOUSING	DIM. "A"	DIM. "B"	DIM. "C" STD.EAR	DIM. "C" PREBENT
PLUG	1.270/(32.26)	.365/(9.27)	.48/(12.2)	.52/(13.2)
RECEPTACLE	1.168/(29.67)	.311/(7.90)	.47/(11.9)	.51/(12.9)



DETAIL 3
PREBENT MOUNTING EAR
(SCALE 4:1)

NOTES:

1. MATERIAL: NYLON TYPE 6/6, 94V-2.
2. FINISH: N/A
3. PRODUCT SPECIFICATION: PS-02-09
4. PACKAGING SPECIFICATION: PK-1991-001
5. ACCEPTS MOLEX .093/(2.36) SERIES TERMINALS.
6. CIRCUIT IDENTIFICATION RIBS MAY OR MAY NOT BE PRESENT.
7. PARTS CONFORM TO CLASS B REQUIREMENTS OF COSMETIC SPECIFICATION PS-45499-002.

SEE SHEET 1 EC NO: UCP2014-3949 DRAWN: KIPPER 2014/03/27 CHKD: BANDESON 2014/03/27 APPR: FSMITH 2014/06/10	QUALITY SYMBOLS	GENERAL TOLERANCES (UNLESS SPECIFIED)	DIMENSION STYLE IN/MM	SCALE 2:1	DESIGN UNITS INCH	THIRD ANGLE PROJECTION
	▽=0	4 PLACES ± --- ± ---	mm INCH	DRAWN BY GEP	DATE 1988/03/01	.093/(2.36) HOUSINGS, PLUG AND RECEPTACLE, 4 CKT, .248/(6.30) CTRS. molex
	▽=0	3 PLACES ± --- ± .010	CHECKED BY RW	DATE 1988/03/01		
	▽=0	2 PLACES ± 0.25 ± .014	APPROVED BY FSMITH	DATE 2014/06/10		
▽=0	1 PLACE ± 0.35 ± ---	MATERIAL NO. SEE CHART	DOCUMENT NO. SD-1991-4*			
REV J1	DESCRIPTION	ANGULAR ± 1°	DRAFT WHERE APPLICABLE MUST REMAIN WITHIN DIMENSIONS	SIZE C	THIS DRAWING CONTAINS INFORMATION THAT IS PROPRIETARY TO MOLEX INCORPORATED AND SHOULD NOT BE USED WITHOUT WRITTEN PERMISSION	SHEET NO. 3 OF 3