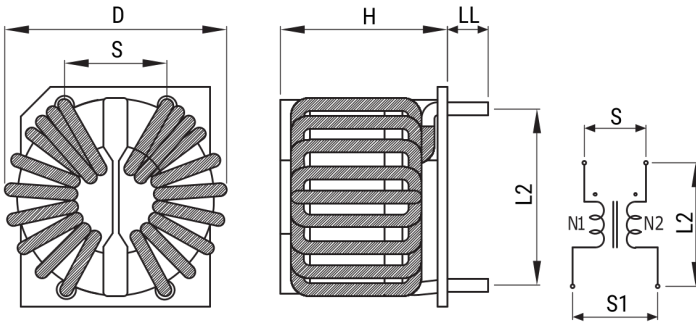


## SC-05-E45JH

Aliases (UALSC05E45JH00)

KEMET, SC-JH, AC Line Filters, Common Mode, 4.5 mH



Click [here](#) for the 3D model.

### Dimensions

D	25mm MAX
T	23mm MAX
H	21mm MAX
LL	3.5mm +/-1mm
S	10mm NOM
L2	19mm NOM
S1	14mm NOM
Wire Size	0.7mm

### Packaging Specifications

Packaging	Tray
Packaging Quantity	200
Component Weight	19 g

### General Information

Series	SC-JH
Style	Through-Hole
RoHS	Yes
Notes	Lead Spacing (S/S1) Are For Reference Only.
Miscellaneous	Temperature Rise Maximum: 85 K.
Core	Mn-Zn Ferrite

### Specifications

Voltage AC	250 VAC
Inductance	4.5 mH (100 kHz)
Current	5 A
Temperature Range	-25/+120°C
DC Resistance	50 mOhms