

PRODUCT UPDATE

Written by

PRODUCT & APPLICATIONS

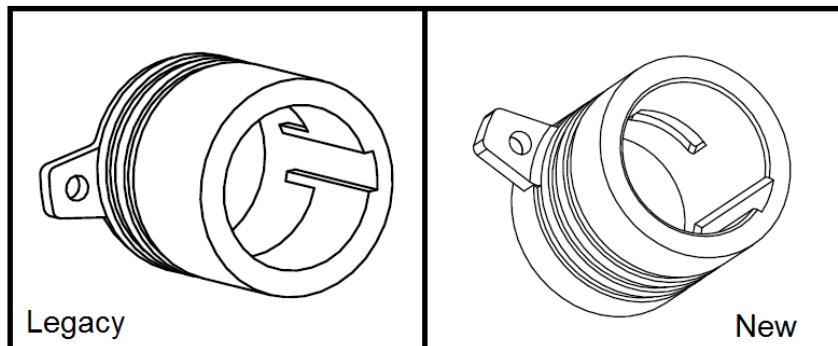
January 27, 2019

#198

New Design for the 0B and 1B Series Plug Caps

Summary: The design of the BFG model plug caps in the 0B and 1B Series has changed from a two-piece to a single-piece design. The internal gasket has been eliminated. The overall IP rating for the connector and the cap remains at IP51. The Unipole & Multipole catalog has been updated – [see page #138](#).

Details: The new single piece 0B and 1B cap single piece design is slightly different:



Note: caps above shown without lanyards

The part numbers have changed as per the chart below:

Legacy	New
BFG.0B.100.PC SN	BFG.0B.100.PC ZN
BFG.0B.100.PC SG	BFG.0B.100.PC ZG
BFG.1B.100.PC SN	BFG.1B.100.PC ZN
BFG.1B.100.PC SG	BFG.1B.100.PC ZG

Timing of change:

The new version caps are available now and the legacy version is available by special order.

Page 1 of 1

If you have any questions or concerns regarding this change, please contact Customer Service or Applications Engineering at 1-800-444-5366 or email: info-us@lemo.com. Thank you for your continued support of LEMO products!