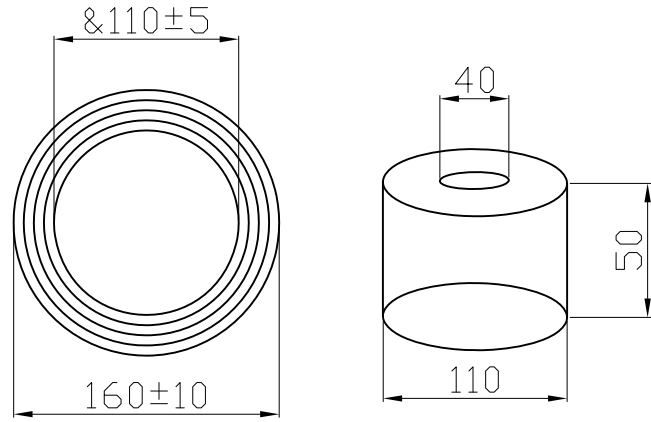


SEC: A-A



100FT/R. PE FILM

PART NO.	L	COLOR
AT-K-26-4-B/100	100FT/R	BLACK
AT-K-26-4-W/100	100FT/R	WHITE
AT-K-26-4-S/100	100FT/R	SILVER GRAY

RoHS compliant
Unit: mm

Scale	Free				Date	Name	Customer-No.
TOLERANCE					Drawn	07.11.2017	Stephen
X.	±0.50				Approved	07.11.2017	Stephen
.X	±0.35						
.XX	±0.15						
.XXX	±0.05						
DIM	TOL						
		①	Drawn	07.11.2017	Stephen	Drawing-No. ASS 8128 CA rev00	
Angle	±3°	Id.	Modification	Date	Name		



ASSMANN WSW-No. AT-K-26-4-X/100	
Replace	SHEET