



Electrical specifications

Center Frequency: 1732.5 MHz
Bandwidth: $F_0 \pm 22.5$ MHz
VSWR: 1.7 : 1
Input / Output Impedance: 50 Ohms
Passband: 1721.247-1743.75 MHz
Passband Insertion Loss: 2.0 dB max
Passband Ripple: 0.7 dB max
Rejection: 50 dB min 2017.2-2062 MHz
Rejection 2: 50 dB min 3420-3510 MHz
Power Handling: 2 watt min

Mechanical

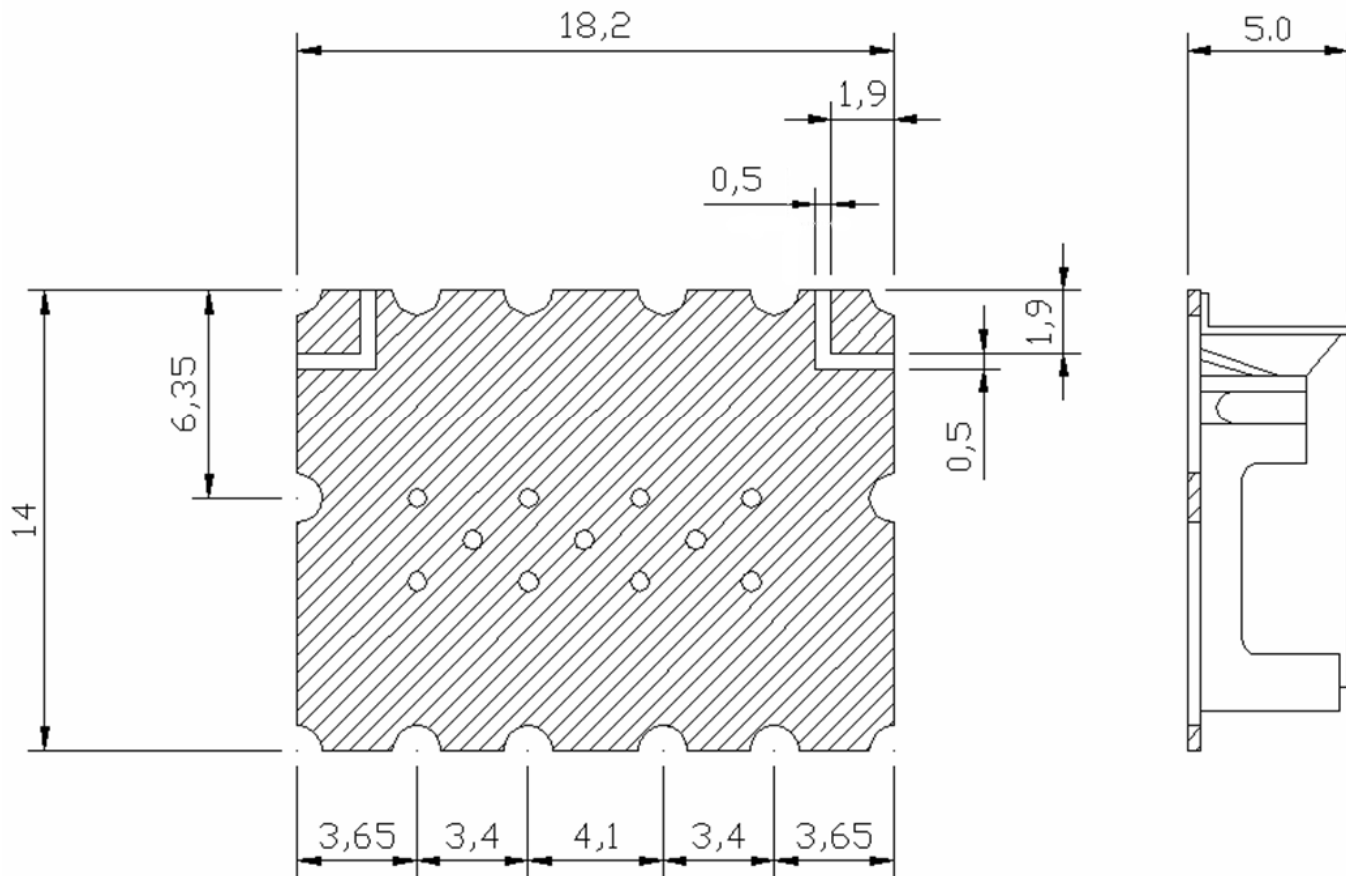
Mounting Method: SMT
Dimensions: 18.2 x 14 x 5 mm

Environmental

Operating Temperature: -20°C to 70°C
Storage Temperature: -50°C to +90°C

This product is RoHs compliant.

Outline Drawing:



Unit : mm
Tolerance : ± 0.3