



Electrical Specifications

Cutoff Frequency (Fc): 12 MHz

Passband: 12-40 MHz

Insertion Loss @ 24MHz: 0.5dB Max.

Passband Return Loss: 15dB Min.

Rejection: 49 dB Min. @ 4.06 MHz

Mechanical

Connector Type: BNC(M) & BNC(F)

Dimensions: 2.5" x 1.125" x 0.75"

Environmental

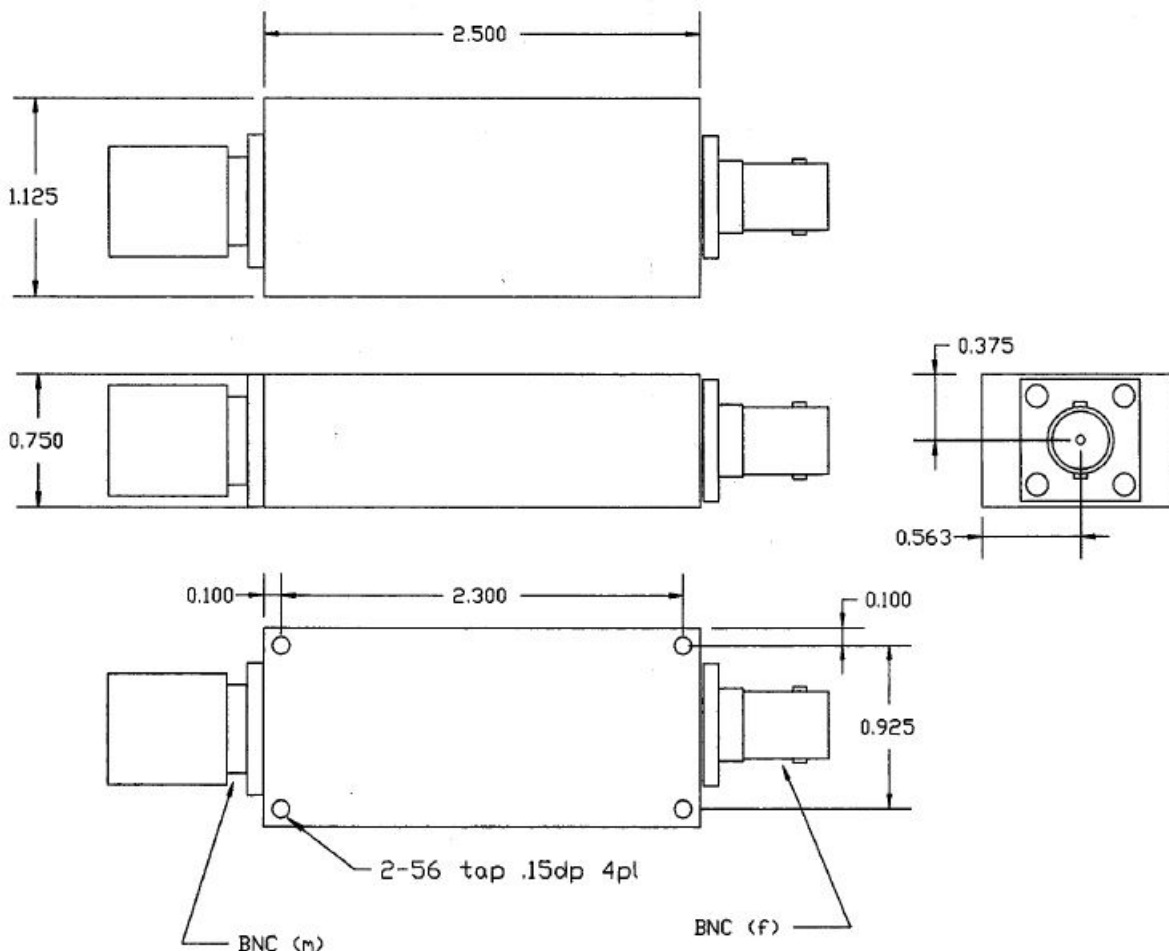
Operating Temperature: -25°C to +70°C

Storage Temperature: -60°C to +90°C

Shock: 10 G. 11ms

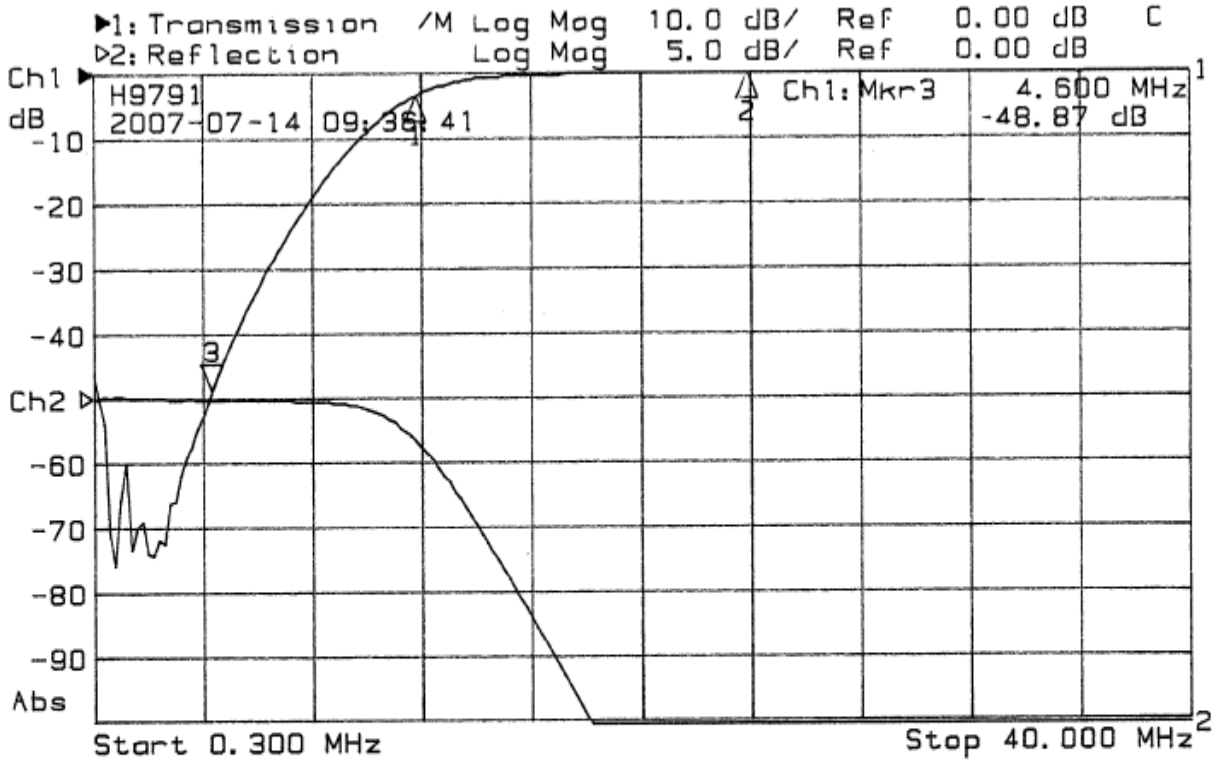
Vibration: 10 G. 5 to 200Hz

Outline Drawing:





Response Plot :



1: Mkr (MHz)	dB	2: Mkr (MHz)	dB
1: 12.00	-3.35		
2: 24.00	-0.08		
3> 4.60	-48.87		

Tom A. Jones (AE E2)