

ADP-SMAF-SMPF-G SMA Jack to SMP Jack Adapter

The ADP-SMAF-SMPF-G is an SMA jack to SMP jack adapter. Operating from 0 GHz to 20 GHz, the ADP-SMAF-SMPF-G combines superior performance, compact size, and a convenient snap-on mating interface to provide a reliable, easy-to-use adapter. Linx SMP adapters are ideal for making board-to-board connections. Additionally, all Linx adapters meet RoHS lead free standards and are tested to meet requirements for corrosion resistance, vibration, mechanical and thermal shock.



Features

- 0 to 20 GHz operation
- Gold plating
 - Superior corrosion resistance
- SMA jack (female socket) connection
 - Gold plated beryllium copper center contact
- SMP jack (female socket) connection
 - Gold plated beryllium copper center contact
- Ideal for board-to-board connections

Applications

- Cellular IoT
 - LTE-M (Cat-M1), NB-IoT
- Cellular
 - 5G/4G LTE/3G/2G
- WiFi/WLAN
 - WiFi 6/6E
- GNSS
 - GPS, Galileo, GLONASS, BeiDou, QZSS
- Radar, Satellite Communications, Experimental
- Industrial, Commercial, Enterprise

Table 1. Electrical Specifications

Impedance	50 Ω	
Frequency Range	0 to 20 GHz	
Voltage Rating	750 V RMS	
Contact Resistance	Center: ≤ 6.0 mΩ Outer: ≤ 2.0 mΩ	
Select Frequencies	5 GHz to 7.125 GHz	12 GHz to 18 GHz
Insertion Loss (dB max.)	0.16	0.18
VSWR (max.)	1.1	1.2

Ordering Information

Part Number	Description
ADP-SMAF-SMPF-G	SMA jack (female socket) to SMP jack (female socket) adapter

Available from Linx Technologies and select distributors and representatives.

Product Dimensions

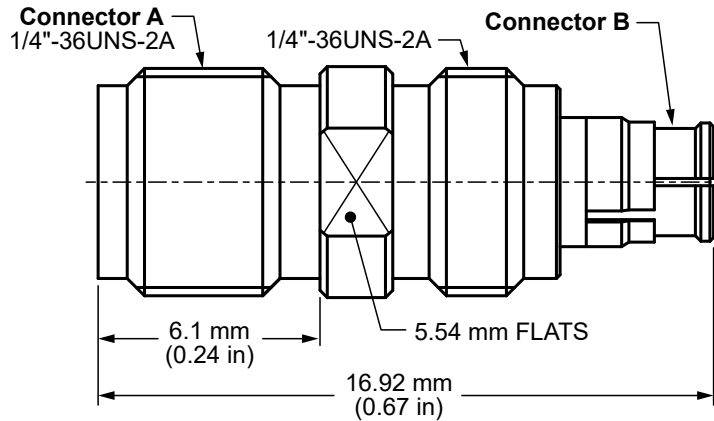


Figure 1. Product Dimensions for the ADP-SMAF-SMPF-G Adapter

Table 2. Adapter Components

ADP-SMAF-SMPF-G	Connector A SMA jack (female socket)		Connector B SMP jack (female socket)	
Connector Part	Material	Finish	Material	Finish
Body	Brass	Gold	Brass	Gold
Center Contact	Beryllium Copper	Gold	Beryllium Copper	Gold
Insulator	PTFE	–	PTFE	–

Adapter Performance

Table 3 shows insertion loss and VSWR values for the ADP-SMAF-SMPF-G adapter at commonly used frequencies.

Insertion loss is the loss of signal power (gain) resulting from the insertion of a device in a transmission line. VSWR describes how efficiently power is transmitted through the adapter. A lower VSWR value indicates better performance at a given frequency.

Table 3. Insertion Loss and VSWR for the ADP-SMAF-SMPF-G Adapter

Band	Low-Band Cellular/ ISM/LPWA	GNSS, Midband Cellular, Wifi	WiFi 6E	Ku
Frequency Range	400 MHz to 960 MHz	1.1 GHz to 5 GHz	5 GHz to 7.125 GHz	12 GHz to 18 GHz
Insertion Loss (dB max.)	0.07	0.15	0.16	0.18
VSWR (max.)	1.0	1.1	1.1	1.2

Table 4. Mechanical Specifications

ADP-SMAF-SMPF-G	Connector A SMA jack (female socket)	Connector B SMP jack (female socket)
Mounting Type	Inline, Free-hanging	
Fastening Type	1/4"-36UNS Threaded Coupling	Snap-on Coupling
Interface in Accordance with	MIL-STD-348A	MIL-STD-348B
Recommended Torque	0.57 N·m (5.0 in·lbs)	n/a
Coupling Nut Retention	60 lbs min.	n/a
Durability	500 cycles min.	500 cycles min.
Weight	1.88 g (0.07 oz)	

Table 5. Environmental Specifications

MIL-STD, Method, Test Condition	
Corrosion (Salt spray)	MIL-STD-202 Method 101 test condition B
Thermal Shock	MIL-STD-202 Method 107 test condition C
Vibration	MIL-STD-202 Method 204 test condition B
Mechanical Shock	MIL-STD-202 Method 213 test condition B
Moisture Resistance	MIL-STD-202 Method 106 test condition D
Temperature Range	-65 °C to +165 ° C
Environmental Compliance	RoHS

Packaging Information

The ADP-SMAF-SMPF-G adapter is sealed in a plastic bag of 100 pcs. Distribution channels may offer alternative packaging options.

Website: <http://linxtechnologies.com>
Linx Offices: 159 Ort Lane, Merlin, OR, US 97532
Phone: +1 (541) 471-6256
E-MAIL: info@linxtechnologies.com

Linx Technologies reserves the right to make changes to the product(s) or information contained herein without notice. No liability is assumed as a result of their use or application. No rights under any patent accompany the sale of any such product(s) or information.

Wireless Made Simple is a registered trademark of Linx Acquisitions LLC. Other product and brand names may be trademarks or registered trademarks of their respective owners.

Copyright © 2021 Linx Technologies

All Rights Reserved

Doc# DS21179-154CON

