

注記 NOTES

- ① 材料及び仕上げ (めっき仕様) : TABLE 1, TABLE 2 参照
MATERIAL AND FINISHES (PLATING SPECIFICATION) : SEE TABLE 1, TABLE 2.
- ② 嵌合相手 : 505432シリーズ
MATE WITH : 505432 SERIES
- ③ 端子テール部 及び ネイルの平坦度 : 0.12 MAXIMUM.
TAIL AND NAIL COPLANARITY TO BE 0.12 MAXIMUM.
- ④ 極数 / 2 = 偶数に適用。
APPLY FOR CIRCUIT SIZE / 2 = EVEN.
- ⑤ コネクタの仕様につきましては、
製品仕様書(5054320000PS002)を参照して下さい。
PLEASE REFER TO THE PRODUCT SPECIFICATION (5054320000PS002)
ABOUT THE SPECIFICATION OF THE CONNECTOR.
- ⑥ 製品番号 MATERIAL No.

極数 CIRCUIT SIZE	505433 ***
番号 NO.	ハウジングカラー HOUSING COLOR
0	ナチュラル (ベージュ) NATURAL (BEIGE)
1	黒 BLACK
2	赤 RED
4	青 BLUE
6	緑 GREEN

番号 NO.	カバーテープ COVER TAPE
7	無 WITHOUT
8	有 WITH

49.4	45.4	20.2	44	5	26.25	29.4	25	30.85	42
				25	28.15	23.75	29.6	40	
				23.75	26.9	22.5	28.35	38	
				22.5	25.65	21.25	27.1	36	
				21.25	24.4	20	25.85	34	
				20	23.15	18.75	24.6	32	
				18.75	21.9	17.5	23.35	30	
				17.5	20.65	16.25	22.1	28	
				16.25	19.4	15	20.85	26	
				37.4	33.4	14.2	32	4.2	15
13.75	16.9	12.5	18.35					22	
12.5	15.65	11.25	17.1					20	
11.25	14.4	10	15.85					18	
10	13.15	8.75	14.6					16	
8.75	11.9	7.5	13.35					14	
7.5	10.65	6.25	12.1					12	
6.25	9.4	5	10.85					10	
5	8.15	3.75	9.6					8	
J	H	G	F					E	D

① TABLE 1

番号 NO.	部品 PART	材質 MATERIAL
①	ハウジング HOUSING	ポリアミド(PA) UL94V-0 色 : 注記6参照 POLY AMIDE(PA) UL94V-0 COLOR : SEE NOTE 6
②	ターミナル 及び ネイル TERMINAL AND NAIL	黄銅 BRASS 錫ビスマスめっき : 1.0 micro-meter MINIMUM MATTE TIN-BISMUTH PLATING ニッケルめっき (下地) : 1.0 micro-meter MINIMUM NICKEL (UNDER PLATING)
④	カバーテープ COVER TAPE	ポリイミド POLYIMIDE

DOCUMENT STATUS	P1	RELEASE DATE	2019/07/31	10:52:36
-----------------	----	--------------	------------	----------

THIS DRAWING CONTAINS INFORMATION THAT IS PROPRIETARY TO MOLEX ELECTRONIC TECHNOLOGIES, LLC AND SHOULD NOT BE USED WITHOUT WRITTEN PERMISSION

DIMENSION UNITS	SCALE	CURRENT REV DESC:
mm	NTS	
GENERAL TOLERANCES (UNLESS SPECIFIED)		
ANGULAR TOL	± 3.0°	
4 PLACES	± 0.2	EC NO: 620885
3 PLACES	± 0.2	DRWN: TAKAIKE 2019/06/17
2 PLACES	± 0.2	CHK'D: SAKIYAMA 2019/07/19
1 PLACE	± 0.2	APPR: KOMURAKAMI 2019/07/31
0 PLACES	± 0.2	INITIAL REVISION:
		DRWN: TAKAIKE 2016/12/26
		APPR: TKANEKO 2016/12/28
DRAFT WHERE APPLICABLE MUST REMAIN WITHIN DIMENSIONS	THIRD ANGLE PROJECTION	DRAWING SERIES MATERIAL NUMBER CUSTOMER SHEET NUMBER
		A3-SIZE 505433 SEE SHEET4 GENERAL 1 OF 4

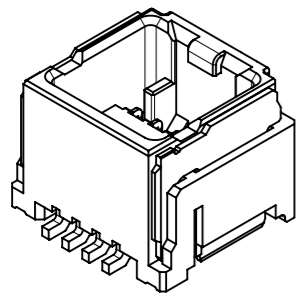
molex

MICRO-LOCK PLUS 1.25 W/B
DUAL ROW VERTICAL SMT PLUG ASSEMBLY

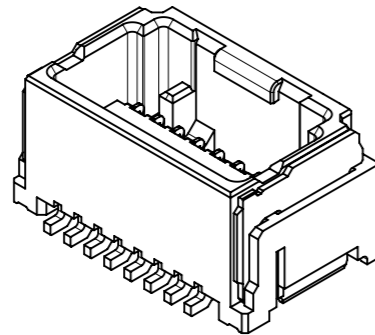
PRODUCT CUSTOMER DRAWING

DOCUMENT NUMBER	DOC TYPE	DOC PART	REVISION
5054330000	PSD	000	C

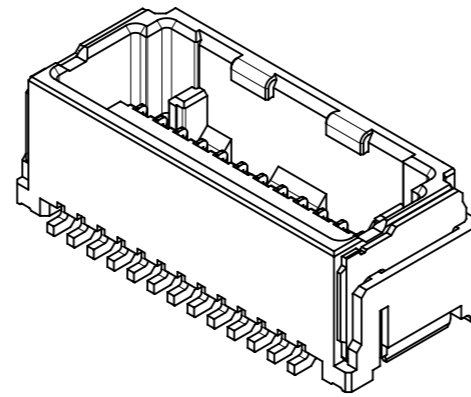
製品形状
PRODUCT SHAPE



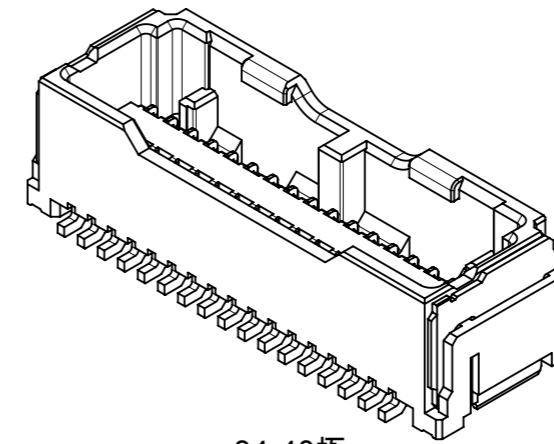
8-14極
8-14 CIRCUIT



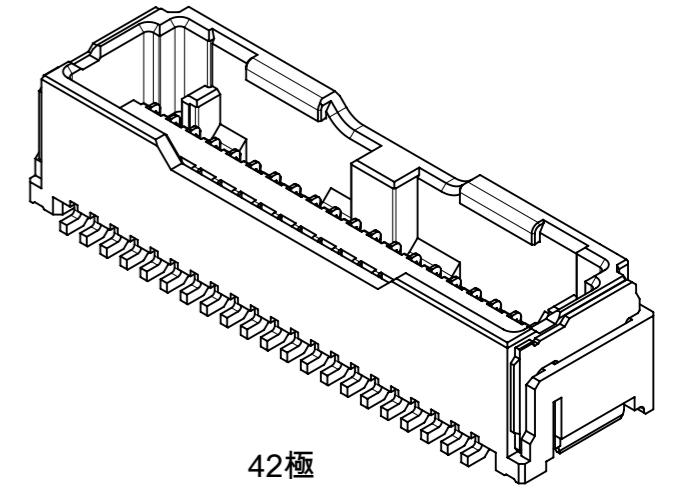
16-24極
16-24 CIRCUIT



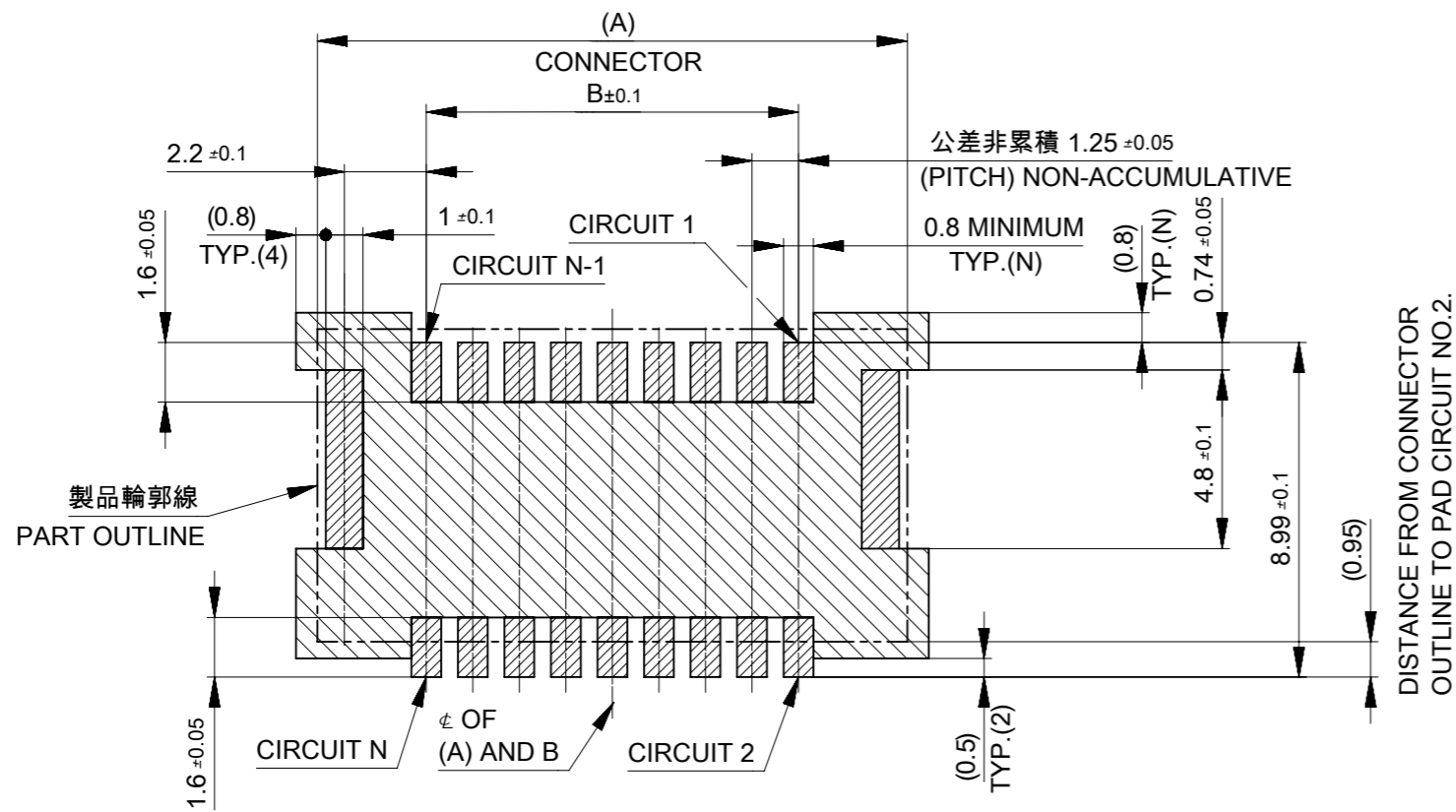
26-32極
26-32 CIRCUIT



34-40極
34-40 CIRCUIT



42極
42 CIRCUIT



基板パターンレイアウト (参考)

(参考: 基板厚 1.6mm, メタルマスク厚さ 0.15mm, マスク開口率 100%)

RECOMMEND PWB LAYOUT : COMPONENT SIDE

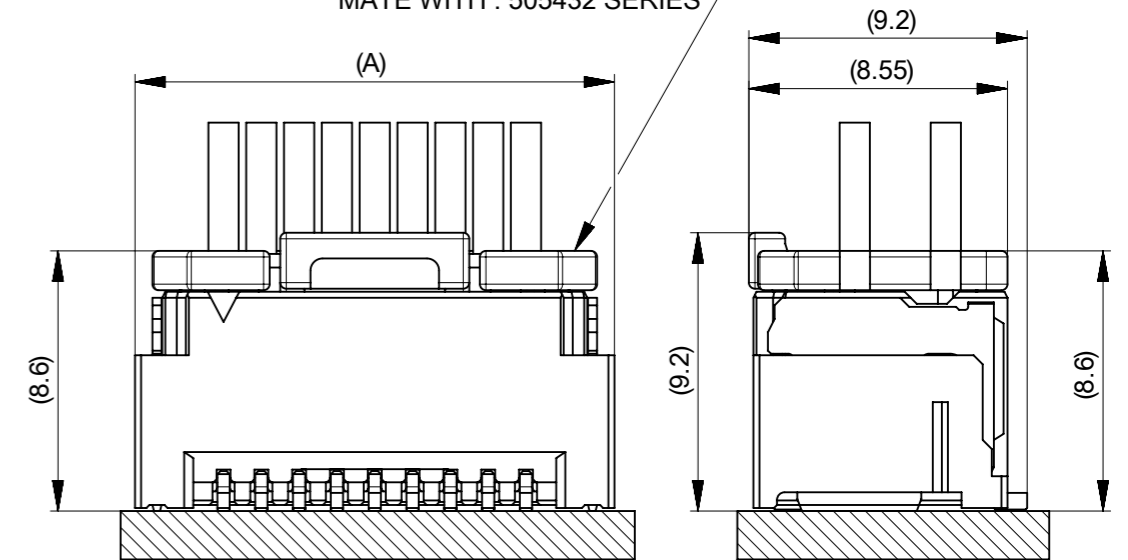
(REFERENCE : PWB THICKNESS 1.6mm, STENCIL THICKNESS 0.15mm, APERTURE RATIO 100%)

パターン非推奨エリア

パターンを引き回す際は、製品機能に影響がないことをご確認ください。
PATTERN IS NOT RECOMMENDED ON THE HATCHING AREA
PLEASE CHECK NOT TO HAVE PROBLEM FOR PRODUCT FUNCTION
WHEN SETTING PATTERN ON THE HATCHING AREA.

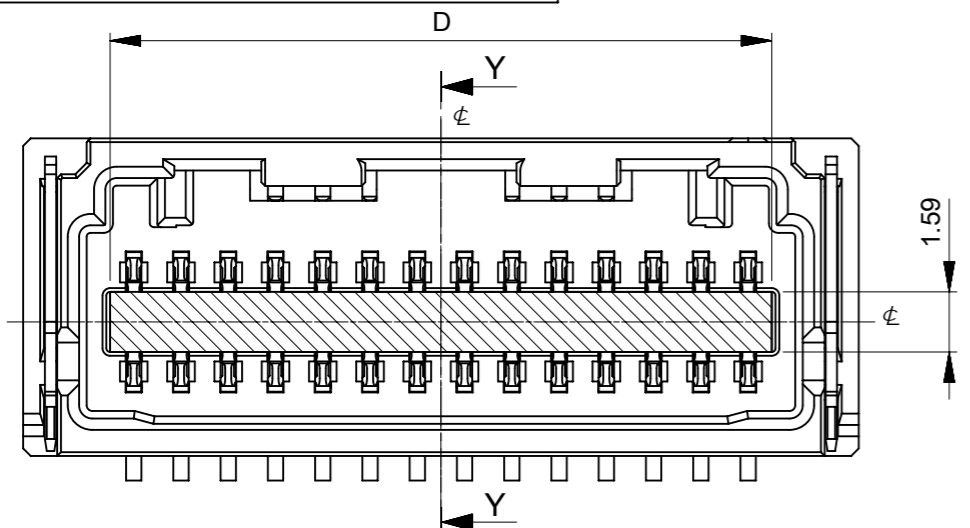
嵌合状態図
MATED CONNECTORS

△ 嵌合相手 : 505432シリーズ
MATE WITH : 505432 SERIES

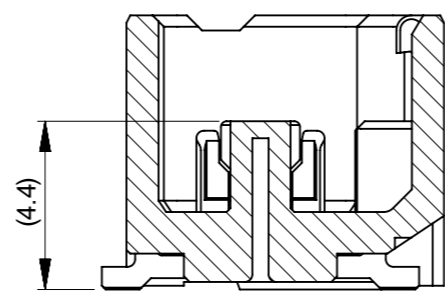


THIS DRAWING CONTAINS INFORMATION THAT IS PROPRIETARY TO MOLEX ELECTRONIC TECHNOLOGIES, LLC AND SHOULD NOT BE USED WITHOUT WRITTEN PERMISSION		CURRENT REV DESC:		molex	
DIMENSION UNITS	SCALE				
mm	NTS			MICRO-LOCK PLUS 1.25 W/B DUAL ROW VERTICAL SMT PLUG ASSEMBLY	
GENERAL TOLERANCES (UNLESS SPECIFIED)		EC NO: 620885		DOCUMENT NUMBER	
ANGULAR TOL	± 3.0°	DRWN: TAKAIKE	2019/06/17	5054330000	
4 PLACES	± 0.2	CHK'D: SAKIYAMA	2019/07/19	DOC TYPE	DOC PART
3 PLACES	± 0.2	APPR: KOMURAKAMI	2019/07/31	PSD	000
2 PLACES	± 0.2	INITIAL REVISION:		REVISION	
1 PLACE	± 0.2	DRWN: TAKAIKE	2016/12/26	C	
0 PLACES	± 0.2	APPR: TKANEKO	2016/12/28		
DRAFT WHERE APPLICABLE MUST REMAIN WITHIN DIMENSIONS		THIRD ANGLE PROJECTION	DRAWING	SERIES	MATERIAL NUMBER
			A3-SIZE	505433	CUSTOMER
				SEE SHEET4	GENERAL
				SHEET NUMBER	
				2 OF 4	

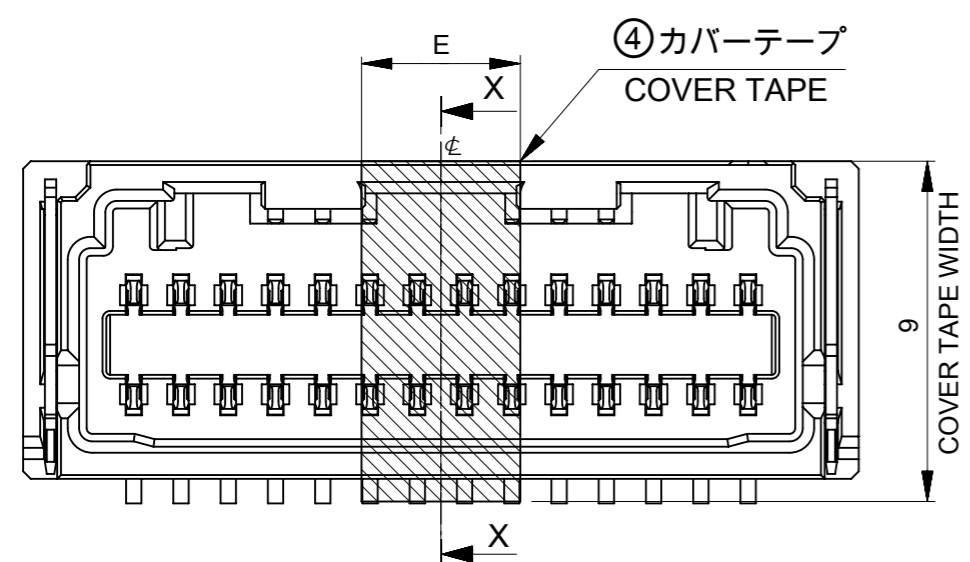
吸着エリア違い
VACUUM AREA DIFFERENCE



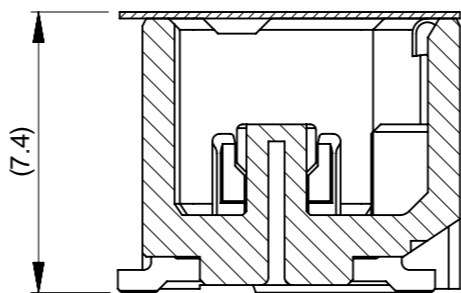
505433 **7*
カバーテープ無し
WITHOUT COVER TAPE



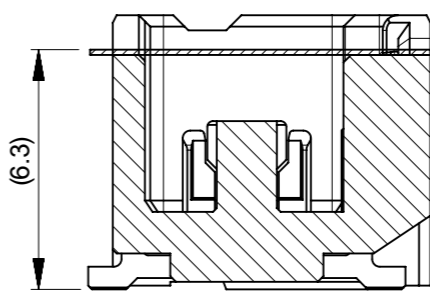
SECTION Y-Y
吸着高さ VACUUM HEIGHT



505433 **8*
カバーテープ有り
WITH COVER TAPE



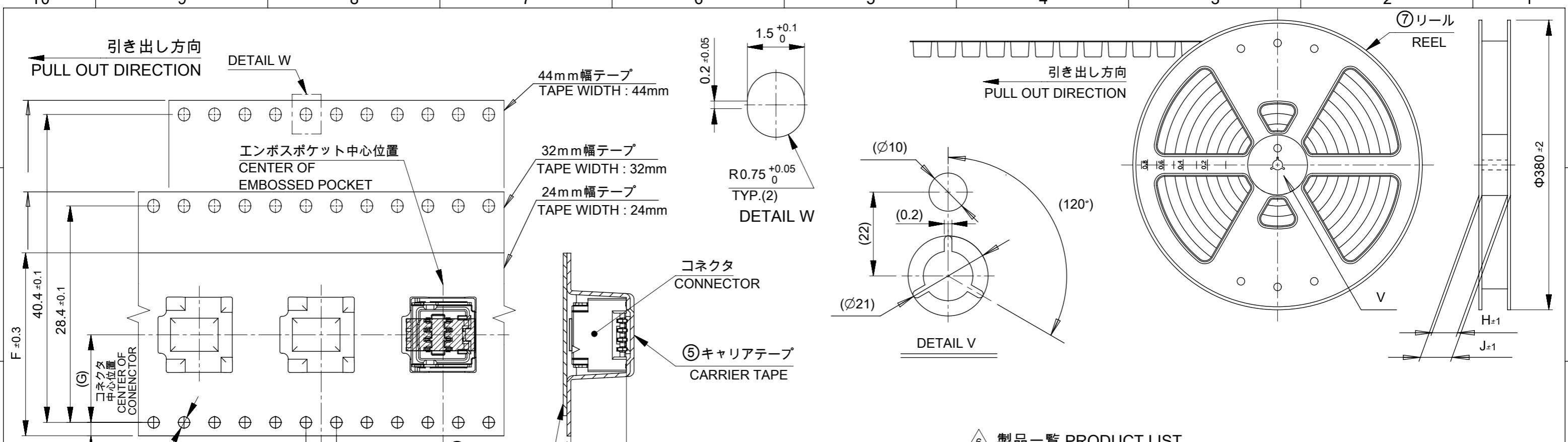
8-32 CIRCUIT



34-42 CIRCUIT

SECTION X-X
吸着テープ高さ COVER TAPE HEIGHT

THIS DRAWING CONTAINS INFORMATION THAT IS PROPRIETARY TO MOLEX ELECTRONIC TECHNOLOGIES, LLC AND SHOULD NOT BE USED WITHOUT WRITTEN PERMISSION									
DIMENSION UNITS mm		SCALE NTS		CURRENT REV DESC:				molex	
GENERAL TOLERANCES (UNLESS SPECIFIED)		ANGULAR TOL ± 3.0°		EC NO: 620885					
4 PLACES ± 0.2		3 PLACES ± 0.2		DRWN: TAKAIKE		2019/06/17		MICRO-LOCK PLUS 1.25 W/B DUAL ROW VERTICAL SMT PLUG ASSEMBLY	
2 PLACES ± 0.2		1 PLACE ± 0.2		CHK'D: SAKIYAMA		2019/07/19		PRODUCT CUSTOMER DRAWING	
0 PLACES ± 0.2		DRAFT WHERE APPLICABLE MUST REMAIN WITHIN DIMENSIONS		APPR: KOMURAKAMI		2019/07/31		DOCUMENT NUMBER	
THIRD ANGLE PROJECTION		DRAWING		SERIES		MATERIAL NUMBER		CUSTOMER	
A3-SIZE		505433		SEE SHEET4		GENERAL		SHEET NUMBER	
INITIAL REVISION:		DRWN: TAKAIKE		2016/12/26		5054330000		PSD 000 C	
APPR: TKANEKO		2016/12/28						3 OF 4	

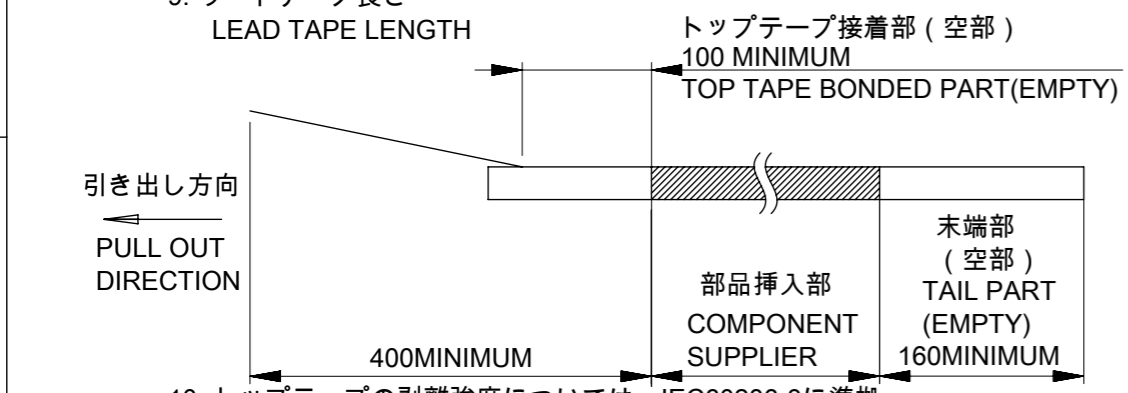


△ 製品一覧 PRODUCT LIST

無 WITHOUT					有 WITH					COVER TAPE
GREEN	BLUE	RED	BLACK	NATURAL (BEIGE)	GREEN	BLUE	RED	BLACK	NATURAL (BEIGE)	HOUSING COLOR
5054334276	5054334274	5054334272	5054334271	5054334270	5054334286	5054334284	5054334282	5054334281	5054334280	42
5054334076	5054334074	5054334072	5054334071	5054334070	5054334086	5054334084	5054334082	5054334081	5054334080	40
5054333876	5054333874	5054333872	5054333871	5054333870	5054333886	5054333884	5054333882	5054333881	5054333880	38
5054333676	5054333674	5054333672	5054333671	5054333670	5054333686	5054333684	5054333682	5054333681	5054333680	36
5054333476	5054333474	5054333472	5054333471	5054333470	5054333486	5054333484	5054333482	5054333481	5054333480	34
5054333276	5054333274	5054333272	5054333271	5054333270	5054333286	5054333284	5054333282	5054333281	5054333280	32
5054333076	5054333074	5054333072	5054333071	5054333070	5054333086	5054333084	5054333082	5054333081	5054333080	30
5054332876	5054332874	5054332872	5054332871	5054332870	5054332886	5054332884	5054332882	5054332881	5054332880	28
5054332676	5054332674	5054332672	5054332671	5054332670	5054332686	5054332684	5054332682	5054332681	5054332680	26
5054332476	5054332474	5054332472	5054332471	5054332470	5054332486	5054332484	5054332482	5054332481	5054332480	24
5054332276	5054332274	5054332272	5054332271	5054332270	5054332286	5054332284	5054332282	5054332281	5054332280	22
5054332076	5054332074	5054332072	5054332071	5054332070	5054332086	5054332084	5054332082	5054332081	5054332080	20
5054331876	5054331874	5054331872	5054331871	5054331870	5054331886	5054331884	5054331882	5054331881	5054331880	18
5054331676	5054331674	5054331672	5054331671	5054331670	5054331686	5054331684	5054331682	5054331681	5054331680	16
5054331476	5054331474	5054331472	5054331471	5054331470	5054331486	5054331484	5054331482	5054331481	5054331480	14
5054331276	5054331274	5054331272	5054331271	5054331270	5054331286	5054331284	5054331282	5054331281	5054331280	12
5054331076	5054331074	5054331072	5054331071	5054331070	5054331086	5054331084	5054331082	5054331081	5054331080	10
5054330876	5054330874	5054330872	5054330871	5054330870	5054330886	5054330884	5054330882	5054330881	5054330880	8

NOTES

- 7. 梱包数量 : 500個
NUMBER OF CONNECTORS : 500 PIECES/REEL.
- 8. 梱包仕様書 : 5054339200 PS 200
PACKING SPECIFICATION : 5054339200 PS 200
- 9. リードテープ長さ
LEAD TAPE LENGTH



10. トップテープの剥離強度については、IEC60286-3に準拠
TOP TAPE PEEL FORCE IS DEFINED BY IEC 60286-3.

△ 1 TABLE 2

番号 NO.	部品 PART	材質 MATERIAL
⑤	キャリアテープ CARRIER TAPE	ポリスチレン(PS) POLYSTYRENE(PS)
⑥	トップテープ TOP TAPE	ポリエチレン(PE)、その他 POLYETHYLENE(PE), OTHER
⑦	リール REEL	ポリスチレン(PS) <リサイクル材を含む> POLYSTYRENE(PS) <RECYCLE MATERIAL CONTAINED >

DOCUMENT STATUS	P1	RELEASE DATE	2019/07/31	10:52:36
-----------------	----	--------------	------------	----------

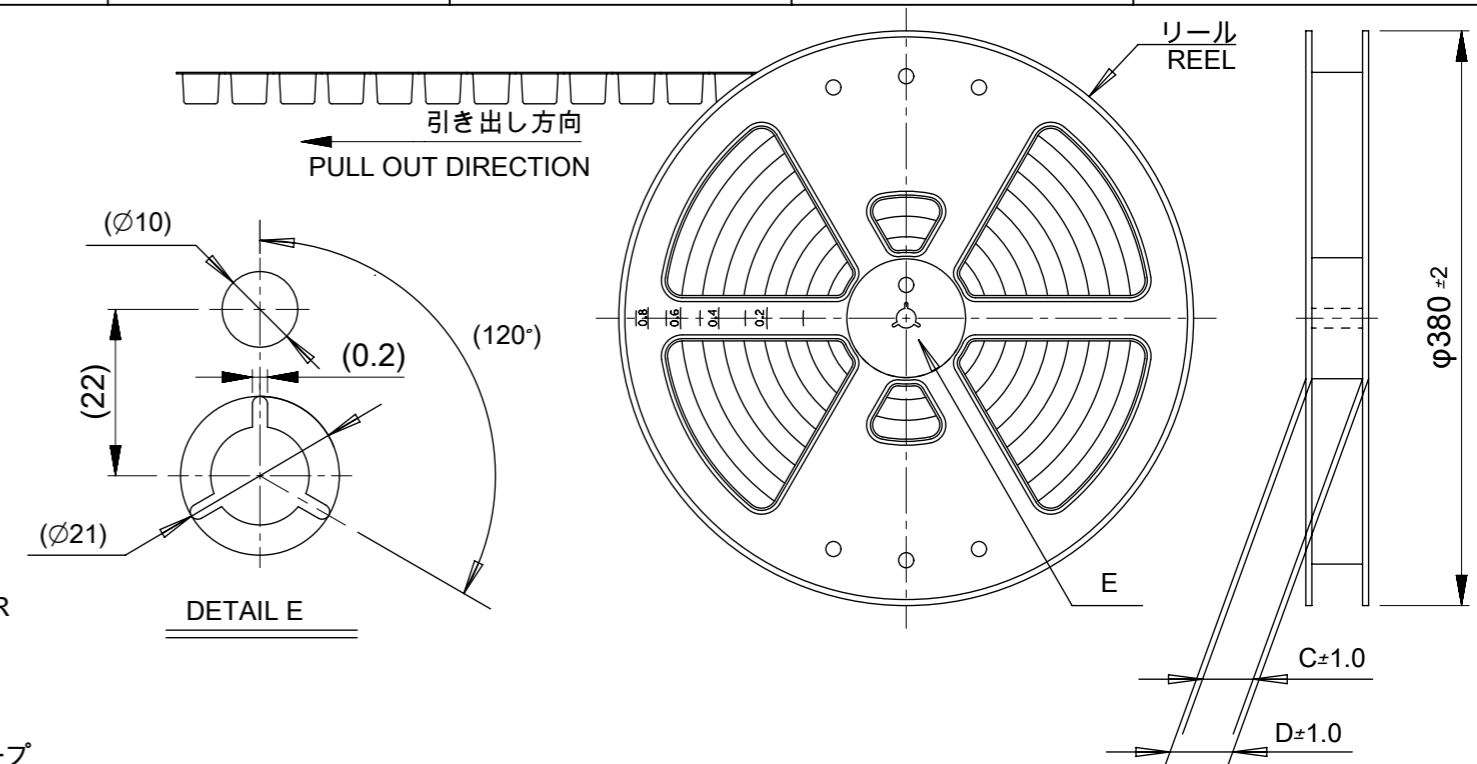
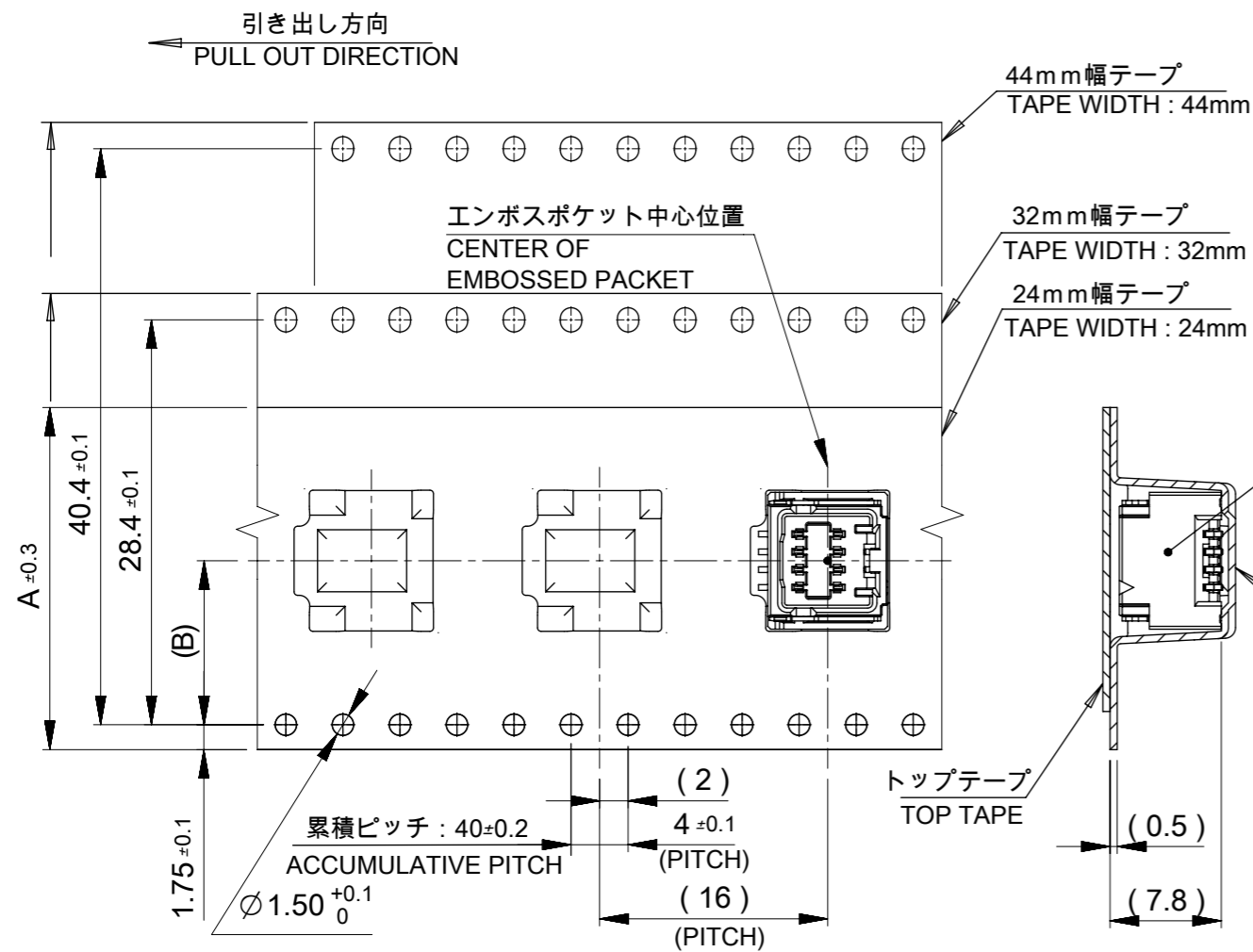
発注番号 ORDER NO.

キャリアテープ梱包
PACKAGING STYLE : CARRIER TAPE AND REEL

極数
CIRCUIT SIZE

THIS DRAWING CONTAINS INFORMATION THAT IS PROPRIETARY TO MOLEX ELECTRONIC TECHNOLOGIES, LLC AND SHOULD NOT BE USED WITHOUT WRITTEN PERMISSION

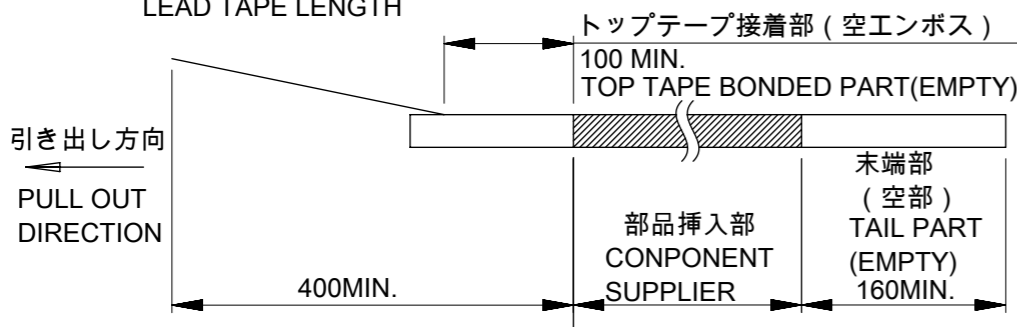
DIMENSION UNITS	SCALE	CURRENT REV DESC:	
mm	NTS		
GENERAL TOLERANCES (UNLESS SPECIFIED)		molex	
ANGULAR TOL	± 3.0°	MICRO-LOCK PLUS 1.25 W/B DUAL ROW VERTICAL SMT PLUG ASSEMBLY	
4 PLACES	± 0.2	PRODUCT CUSTOMER DRAWING	
3 PLACES	± 0.2	DOCUMENT NUMBER	
2 PLACES	± 0.2	5054330000	
1 PLACE	± 0.2	DOC TYPE	
0 PLACES	± 0.2	PSD	
DRAFT WHERE APPLICABLE MUST REMAIN WITHIN DIMENSIONS		DOC PART	
THIRD ANGLE PROJECTION		000	
DRAWING		REVISION	
A3-SIZE		C	
SERIES		SHEET NUMBER	
505433		4 OF 4	
MATERIAL NUMBER		CUSTOMER	
SEE SHEET4		GENERAL	



				COLOR:GREEN	COLOR:BLUE	COLOR:RED	COLOR:BLACK	COLOR:NATURAL	
49.4	45.4	20.2	44	5054334276	5054334274	5054334272	5054334271	5054334270	42
49.4	45.4	20.2	44	5054334076	5054334074	5054334072	5054334071	5054334070	40
49.4	45.4	20.2	44	5054333876	5054333874	5054333872	5054333871	5054333870	38
49.4	45.4	20.2	44	5054333676	5054333674	5054333672	5054333671	5054333670	36
49.4	45.4	20.2	44	5054333476	5054333474	5054333472	5054333471	5054333470	34
49.4	45.4	20.2	44	5054333276	5054333274	5054333272	5054333271	5054333270	32
49.4	45.4	20.2	44	5054333076	5054333074	5054333072	5054333071	5054333070	30
49.4	45.4	20.2	44	5054332876	5054332874	5054332872	5054332871	5054332870	28
49.4	45.4	20.2	44	5054332676	5054332674	5054332672	5054332671	5054332670	26
37.4	33.4	14.2	32	5054332476	5054332474	5054332472	5054332471	5054332470	24
37.4	33.4	14.2	32	5054332276	5054332274	5054332272	5054332271	5054332270	22
37.4	33.4	14.2	32	5054332076	5054332074	5054332072	5054332071	5054332070	20
37.4	33.4	14.2	32	5054331876	5054331874	5054331872	5054331871	5054331870	18
37.4	33.4	14.2	32	5054331676	5054331674	5054331672	5054331671	5054331670	16
29.4	25.4	11.5	24	5054331476	5054331474	5054331472	5054331471	5054331470	14
29.4	25.4	11.5	24	5054331276	5054331274	5054331272	5054331271	5054331270	12
29.4	25.4	11.5	24	5054331076	5054331074	5054331072	5054331071	5054331070	10
29.4	25.4	11.5	24	5054330876	5054330874	5054330872	5054330871	5054330870	8
D	C	B	エンボステープ幅 WIDTH OF TAPE A	エンボス梱包 EMBOSSED TAPE PACKAGE オーダー番号 ORDER NO.	エンボス梱包 EMBOSSED TAPE PACKAGE オーダー番号 ORDER NO.	エンボス梱包 EMBOSSED TAPE PACKAGE オーダー番号 ORDER NO.	エンボス梱包 EMBOSSED TAPE PACKAGE オーダー番号 ORDER NO.	エンボス梱包 EMBOSSED TAPE PACKAGE オーダー番号 ORDER NO.	極数 CKT. NO

NOTES

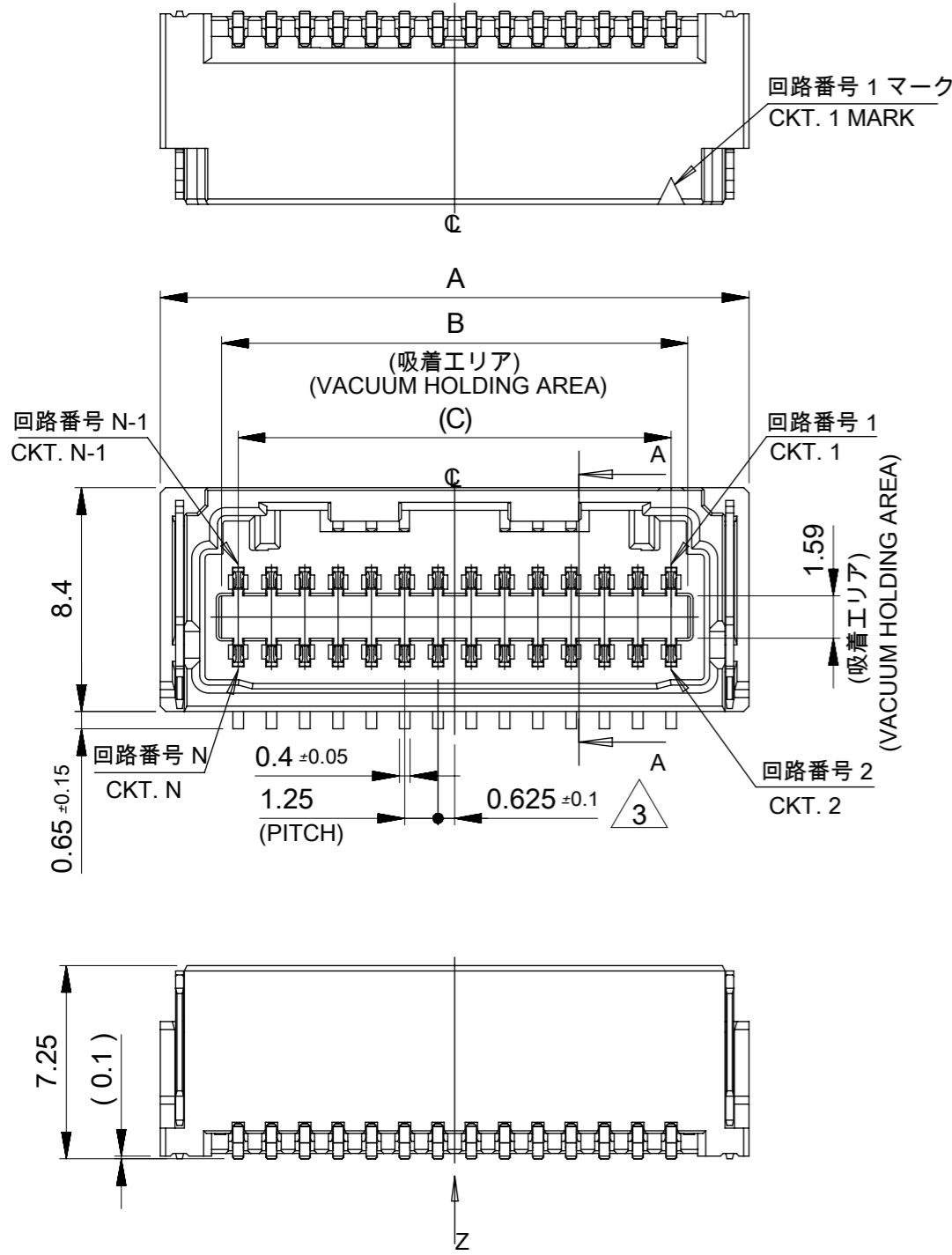
- 製品番号505433**7*の詳細寸法は5054330002PSD000を参照ください。
FOR DETAIL OF 505433**7* DIMENSIONS,
PLEASE SEE THE 5054330002PSD000 (NOT PACKAGED).
- 梱包数量 : 500個
NUMBER OF CONNECTORS : 500 PIECES/REEL.
- リードテープ長さ
LEAD TAPE LENGTH



- 材料 MATERIAL
キャリアテープ: ポリスチレン (PS)
CARRIER TAPE: POLYSTYRENE (PS)
トップテープ: ポリエステル (PET)、その他
TOP TAPE: POLYESTER (PET)、OTHER
リール: ポリスチレン (PS) <リサイクル材を含む>
REEL: POLYSTYRENE (PS) <RECYCLE MATERIAL CONTAINED>
- トップテープの剥離強度については、IEC60286-3に準拠
TOP TAPE PEEL FORCE IS DEFINED BY IEC60286-3.

THIS DRAWING CONTAINS INFORMATION THAT IS PROPRIETARY TO MOLEX ELECTRONIC TECHNOLOGIES, LLC AND SHOULD NOT BE USED WITHOUT WRITTEN PERMISSION

RELEASED EC NO: 112331 DRWN: TAKAIKE CHK'D: KOMURAKAMI APPR: TKANEKO	GENERAL TOLERANCES (UNLESS SPECIFIED)		DIMENSION UNITS	SCALE	
	ANGULAR TOL ± 3.0 °		MM	NTS	
	4 PLACES ± 0.2	DRWN BY		DATE	
	3 PLACES ± 0.2	TAKAIKE		2017/02/08	
2 PLACES ± 0.2	CHK'D BY		DATE	MICRO-LOCK PLUS 1.25 W/B DUAL ROW ST SMT EMBOSSED TAPE PKG	
1 PLACE ± 0.2	KOMURAKAMI		2017/03/30		
0 PLACES ± 0.2	APPR BY		DATE		
DRAFT WHERE APPLICABLE MUST REMAIN WITHIN DIMENSIONS		TKANEKO		2017/04/03	PRODUCT CUSTOMER DRAWING
DRAWING SIZE		THIRD ANGLE PROJECTION		SERIES	MATERIAL NUMBER
A3				505433	SEE TABLE
DRAWING SIZE		THIRD ANGLE PROJECTION		CUSTOMER	GENERAL
DRAWING SIZE		THIRD ANGLE PROJECTION		DOCUMENT NUMBER	DOC TYPE
DRAWING SIZE		THIRD ANGLE PROJECTION		5054330001	PSD
DRAWING SIZE		THIRD ANGLE PROJECTION		DOC PART	000
DRAWING SIZE		THIRD ANGLE PROJECTION		SHEET NUMBER	1 OF 1



NOTES

1. 嵌合相手 : 505432**0*
MATE WITH : 505432**0*
2. 端子テール部 及び ネイルの平坦度 : 0.12MAX.
TAIL AND NAIL COPLANARITY TO BE 0.12 MAX.
3. 極数 / 2 = 偶数に適用。
APPLY FOR CKT. SIZE / 2 = EVEN.
4. 端子テール部に錫めっきを使用しているため、
外觀に摺動痕が付く場合が御座います。
THE WOUND OF FRICTION MIGHT ADHERE TO EXTERNALS
BECAUSE THE TIN PLATING IS USED FOR THE TAIL.
5. 本製品のプラスチック部に黒点等が確認される場合や
色合いが異なる場合がありますが、製品性能に影響はありません。
THERE IS NO INFLUENCE IN THE PRODUCT PERFORMANCE THOUGH
THE BLACK SPOT ETC. MIGHT BE CONFIRMED TO THE PLASTIC PART
OF THIS PRODUCT AND THE SHADE MIGHT BE DIFFERENT.

6. コネクタの詳細な取り扱いにつきましては、アプリケーション仕様書
(AS-505432-001, -002)を参照して下さい。
PLEASE REFER TO THE APPLICATION SPECIFICATION
(AS-505432-001, -002)
ABOUT THE DETAILED HANDLING OF THE CONNECTOR.
7. コネクタの仕様につきましては、
製品仕様書(5054320000PS002)を参照して下さい。
PLEASE REFER TO THE PRODUCT SPECIFICATION (5054320000PS002)
ABOUT THE SPECIFICATION OF THE CONNECTOR.
8. オーダー番号と極数、色の関係
RELATION ORDER NUMBER AND COLOR, CKT.

505433**7*

極数 色
CIRCUIT SIZE COLOR

NO.	COLOR
0	NATURAL
1	BLACK
2	RED
4	BLUE
6	GREEN

※本製品はカバーテープ無し品です。
カバーテープ有り品は5054331000PSD000を参照して下さい。
THIS PRODUCT DON'T HAVE THE COVER TAPE. PLEASE REFER TO
5054331000PSD000 FOR THE PRODUCT WITH COVER TAPE.

C	B	A	HSG COLOR GREEN	HSG COLOR BLUE	HSG COLOR RED	HSG COLOR BLACK	HSG COLOR NATURAL	極数 CKT. NO	
			25	26.25	30.85	5054334276	5054334274		5054334272
23.75	25	29.6	5054334076	5054334074	5054334072	5054334071	5054334070	40	
22.5	23.75	28.35	5054333876	5054333874	5054333872	5054333871	5054333870	38	
21.25	22.5	27.1	5054333676	5054333674	5054333672	5054333671	5054333670	36	
20	21.25	25.85	5054333476	5054333474	5054333472	5054333471	5054333470	34	
18.75	20	24.6	5054333276	5054333274	5054333272	5054333271	5054333270	32	
17.5	18.75	23.35	5054333076	5054333074	5054333072	5054333071	5054333070	30	
16.25	17.5	22.1	5054332876	5054332874	5054332872	5054332871	5054332870	28	
15	16.25	20.85	5054332676	5054332674	5054332672	5054332671	5054332670	26	
13.75	15	19.6	5054332476	5054332474	5054332472	5054332471	5054332470	24	
12.5	13.75	18.35	5054332276	5054332274	5054332272	5054332271	5054332270	22	
11.25	12.5	17.1	5054332076	5054332074	5054332072	5054332071	5054332070	20	
10	11.25	15.85	5054331876	5054331874	5054331872	5054331871	5054331870	18	
8.75	10	14.6	5054331676	5054331674	5054331672	5054331671	5054331670	16	
7.5	8.75	13.35	5054331476	5054331474	5054331472	5054331471	5054331470	14	
6.25	7.5	12.1	5054331276	5054331274	5054331272	5054331271	5054331270	12	
5	6.25	10.85	5054331076	5054331074	5054331072	5054331071	5054331070	10	
3.75	5	9.6	5054330876	5054330874	5054330872	5054330871	5054330870	8	
			エンボス梱包 EMBOSSED TAPE PACKAGE	エンボス梱包 EMBOSSED TAPE PACKAGE	エンボス梱包 EMBOSSED TAPE PACKAGE	エンボス梱包 EMBOSSED TAPE PACKAGE	エンボス梱包 EMBOSSED TAPE PACKAGE	エンボス梱包 EMBOSSED TAPE PACKAGE	
			オーダー番号 ORDER NO.	オーダー番号 ORDER NO.	オーダー番号 ORDER NO.	オーダー番号 ORDER NO.	オーダー番号 ORDER NO.	オーダー番号 ORDER NO.	

PART	材質 MATERIAL
ハウジング HOUSING	ポリアミド(PA) UL94V-0 色 : 表参照 POLY AMIDE(PA) UL94V-0 COLOR : SEE CHART
ターミナル 及び ネイル TERM AND NAIL	黄銅 BRASS 錫ビスマスめっき : 1.0 micro-meter MIN. TIN-BISMUTH PLATED ニッケルめっき (下地) : 1.0 micro-meter MIN. NICKEL (UNDER PLATING)

THIS DRAWING CONTAINS INFORMATION THAT IS PROPRIETARY TO MOLEX ELECTRONIC TECHNOLOGIES, LLC AND SHOULD NOT BE USED WITHOUT WRITTEN PERMISSION

RELEASED

EC NO: 112331
DRWN: TAKAIKE
CHK'D: KOMURAKAMI
REV APPR: TKANEKO

GENERAL TOLERANCES (UNLESS SPECIFIED)		DIMENSION UNITS	SCALE
		MM	4:1
ANGULAR TOL ± 3.0 °		DRWN BY	DATE
4 PLACES ± 0.2		TAKAIKE	2017/02/10
3 PLACES ± 0.2		CHK'D BY	DATE
2 PLACES ± 0.2		KOMURAKAMI	2017/03/30
1 PLACE ± 0.2		APPR BY	DATE
0 PLACES ± 0.2		TKANEKO	2017/04/03
DRAFT WHERE APPLICABLE MUST REMAIN WITHIN DIMENSIONS		DRAWING SIZE	THIRD ANGLE PROJECTION
		A3	

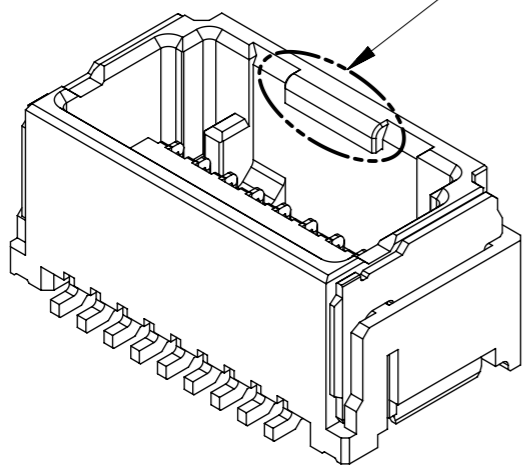
molex®

MICRO-LOCK PLUS 1.25 W/B
DUAL ROW ST SMT PLUG ASSY

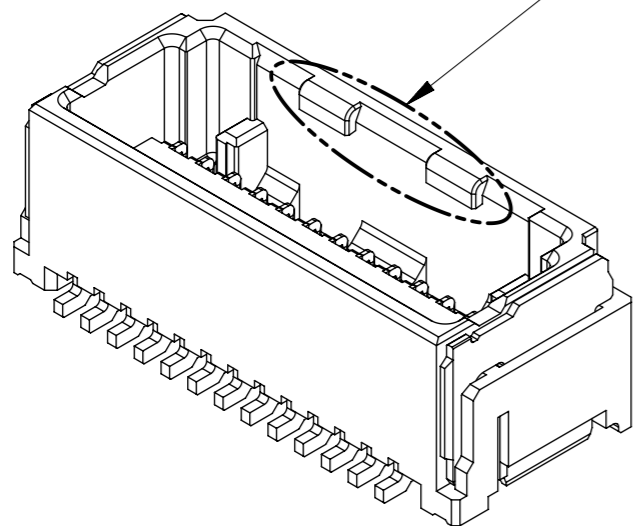
PRODUCT CUSTOMER DRAWING

SERIES	MATERIAL NUMBER	CUSTOMER
505433	SEE TABLE	GENERAL
DOCUMENT NUMBER		DOC TYPE
5054330002		PSD
DOC PART	SHEET NUMBER	
000	1 OF 2	

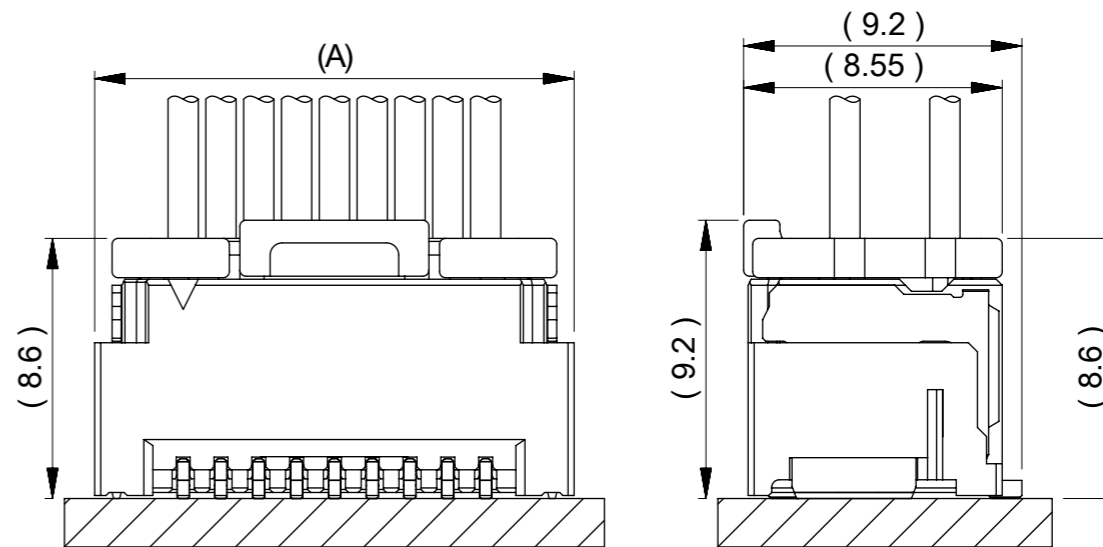
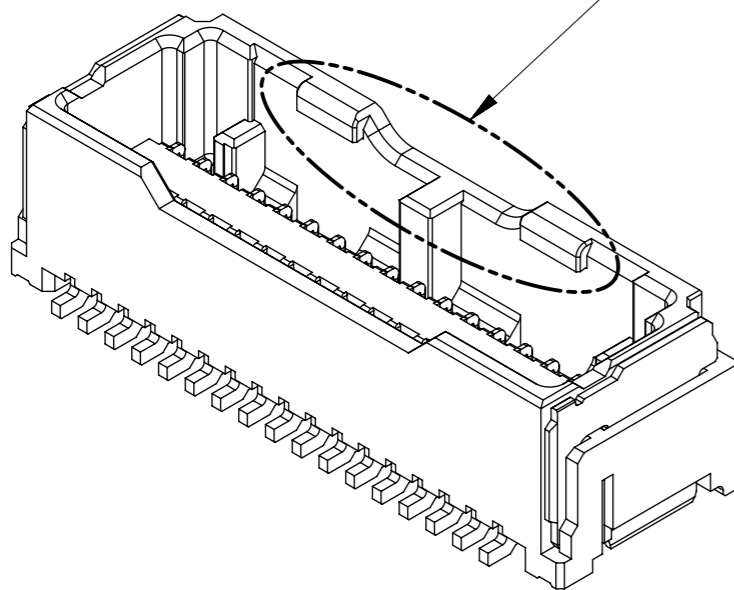
8-24 CKT. 係止形状
LOCK SHAPE OF 8-24 CKT.



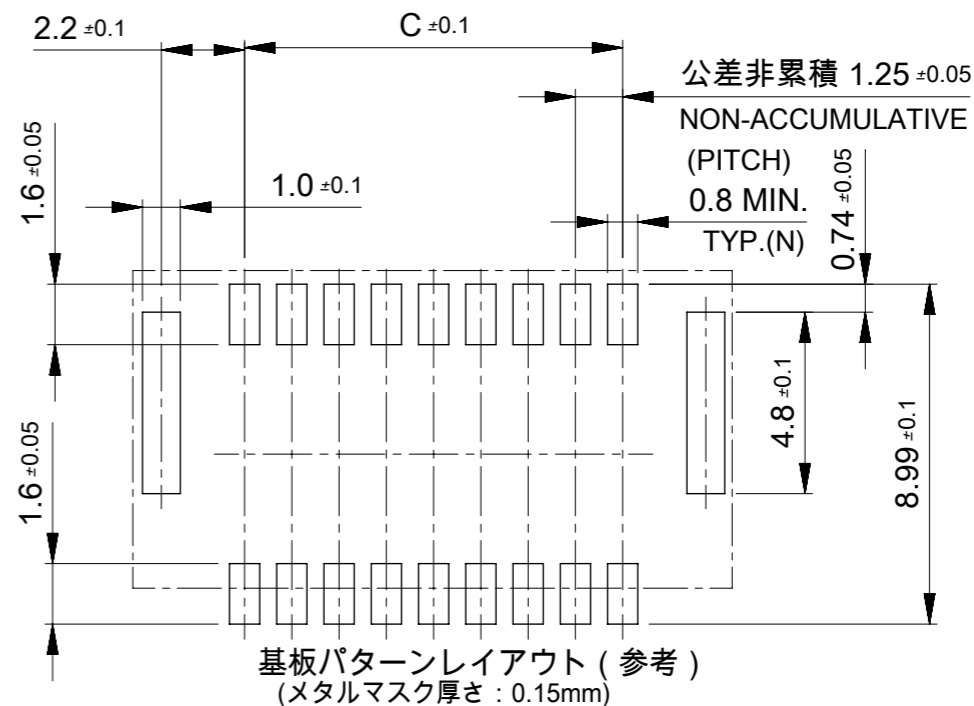
26-32 CKT. 係止形状
LOCK SHAPE OF 26-32 CKT.



34-42 CKT. 係止形状
LOCK SHAPE OF 34-42 CKT.



嵌合状態図
MATED CONNECTORS



基板パターンレイアウト (参考)
(メタルマスク厚さ: 0.15mm)
RECOMMENDED P.C.B. PATTERN LAYOUT (REF.)
(METAL MASK THICKNESS: 0.15mm)

THIS DRAWING CONTAINS INFORMATION THAT IS PROPRIETARY TO MOLEX ELECTRONIC TECHNOLOGIES, LLC AND SHOULD NOT BE USED WITHOUT WRITTEN PERMISSION										
RELEASED	EC NO: 112331	DRWN: TAKAIKE	2017/02/10	GENERAL TOLERANCES (UNLESS SPECIFIED)	DIMENSION UNITS	SCALE	molex [®]			
	CHK'D: KOMURAKAMI	2017/03/30	MM		4:1					
	APPR: TKANEKO	2017/04/03	ANGULAR TOL ± 3.0 °		DRWN BY	DATE	MICRO-LOCK PLUS 1.25 W/B DUAL ROW ST SMT PLUG ASSY			
	4 PLACES ± 0.2	TAKAIKE	2017/02/10		CHK'D BY	DATE	PRODUCT CUSTOMER DRAWING			
	3 PLACES ± 0.2	KOMURAKAMI	2017/03/30		APPR BY	DATE	SERIES	MATERIAL NUMBER	CUSTOMER	
2 PLACES ± 0.2	TKANEKO	2017/04/03	1 PLACE ± 0.2	DRAWING SIZE	THIRD ANGLE PROJECTION	505433	SEE TABLE	GENERAL		
0 PLACES ± 0.2	DRAFT WHERE APPLICABLE MUST REMAIN WITHIN DIMENSIONS		A3	A3			DOCUMENT NUMBER	DOC TYPE	DOC PART	SHEET NUMBER
A		REV		A3			5054330002	PSD	000	2 OF 2