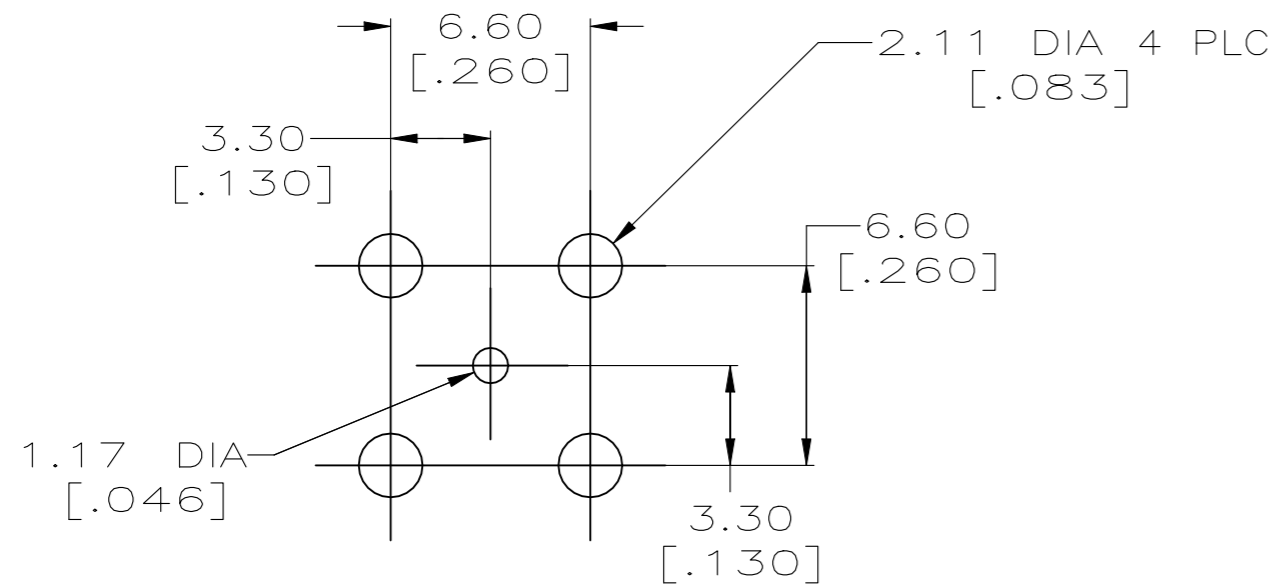
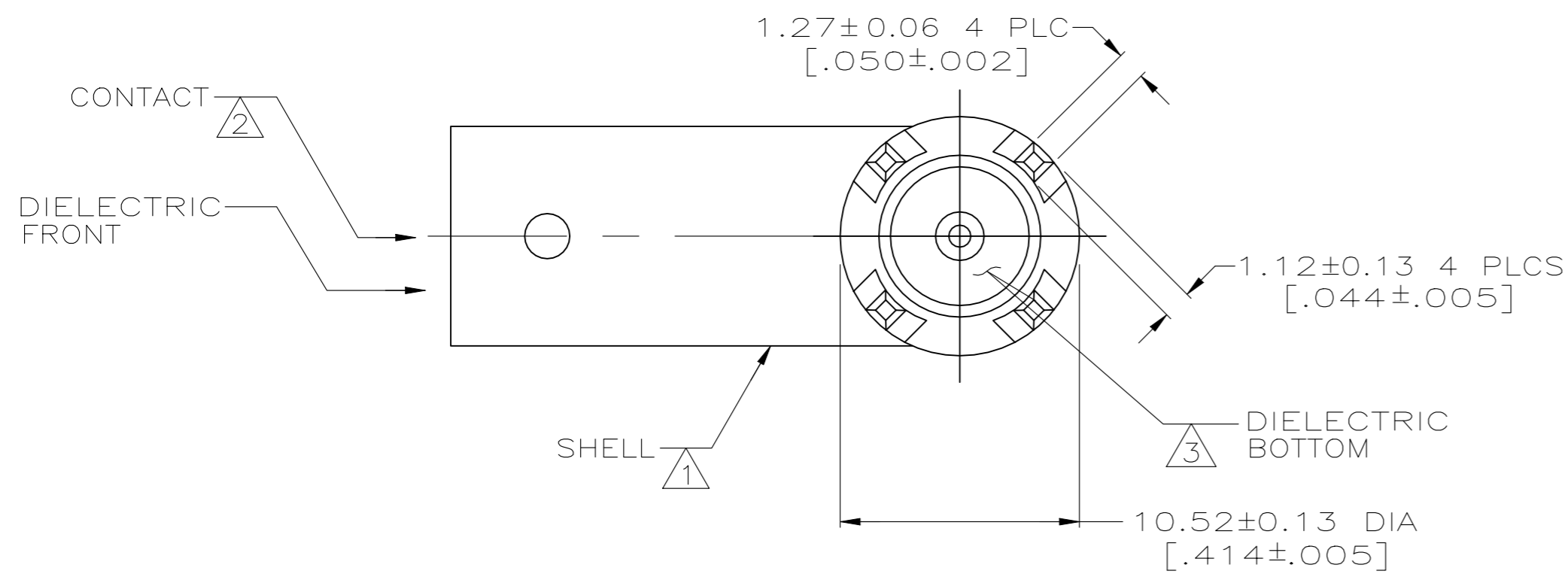
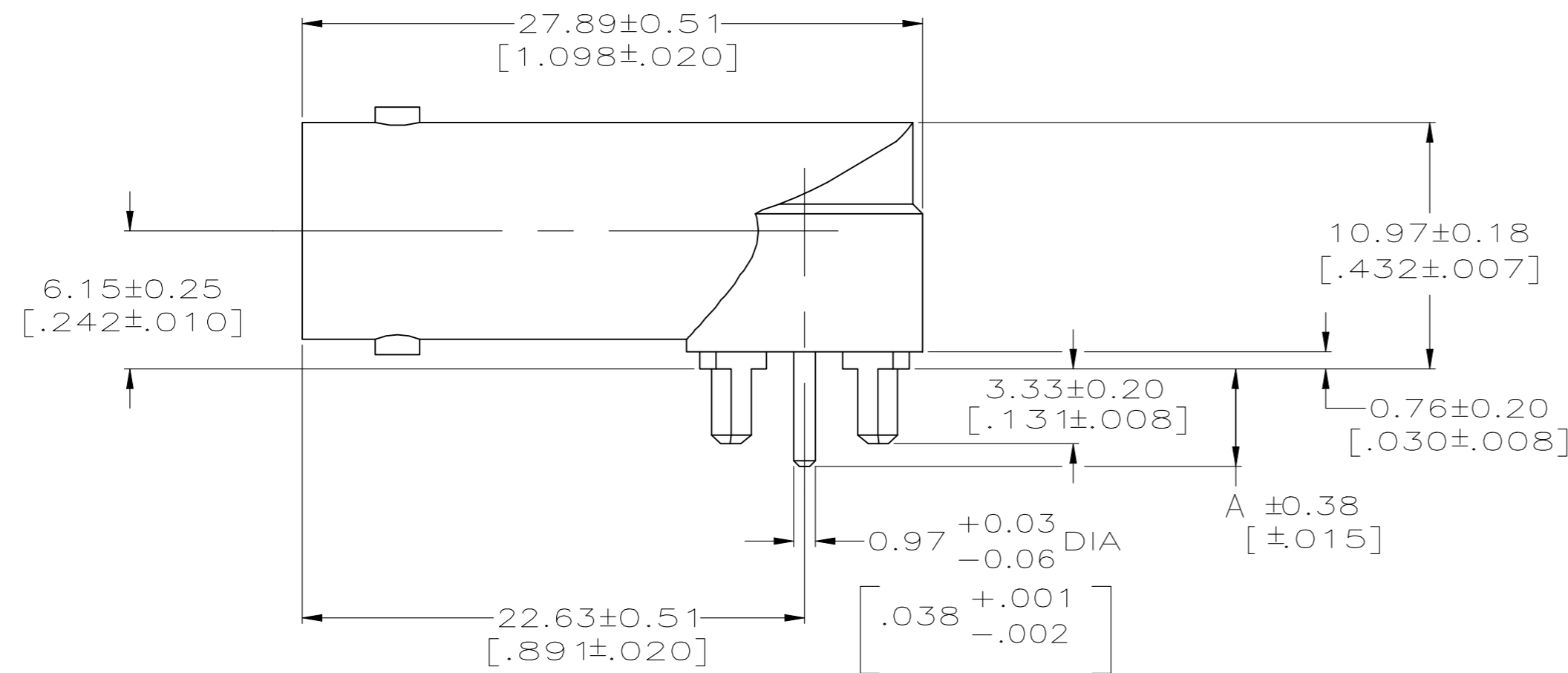


REVISIONS				
P	LTR	DESCRIPTION	DATE	APVD
	T1	REVISED PER ECN-22-143378	14MAR2022	RZ WK



PCB CONFIGURATION

- ① ZINC PER QQ-Z-363.
- ② BERYLLIUM COPPER PER QQ-C-530.
- ③ PTFE PER MIL-P-19468.
- ④ NICKEL PLATE PER QQ-N-290, 3.81 μm [.000150] MINIMUM THICK.
- ⑤ TIN-LEAD PLATE PER ASTM-B-545, 3.04 μm [.000120] MINIMUM THICK OVER NICKEL PLATE PER MIL-C-26074, 7.62 μm [.000300] MINIMUM THICK.
- ⑥ GOLD PLATE PER MIL-G-45204, 1.27 μm [.000050] MINIMUM THICK.
- ⑦ INTERFACE PER MIL-C-39012.
- ⑧ GOLD PLATE PER MIL-G-45204, 0.76 μm [.000030] MINIMUM THICK.
- ⑨ POLYMETHYLPENTENE: GENERAL PURPOSE

	⑨	4.34 [.171]	⑧	④	413558-5
OBSOLETE	⑨	4.34 [.171]	⑧	⑤	413558-4
	⑨	3.33 [.131]	⑥	④	413558-3
OBSOLETE	③	4.34 [.171]	⑥	⑤	413558-2
	⑨	4.34 [.171]	⑥	④	413558-1

FRONT DIELECTRIC MATERIAL	A	CONTACT FINISH	SHELL FINISH	PART NUMBER
---------------------------	---	----------------	--------------	-------------

THIS DRAWING IS A CONTROLLED DOCUMENT.		DWN J. LIPPERT 7-1-91	TE Connectivity	
		CHK A. GABANY 8-5-91		
		APVD A. GABANY 8-5-91	NAME	
		PRODUCT SPEC	JACK, RIGHT ANGLE, PCB, 75 OHM, SERIES BNC	
		APPLICATION SPEC	108-12078	
		WEIGHT 0.000000	SIZE A2	CAGE CODE 00779
		CUSTOMER DRAWING	SCALE 4:1	DRAWING NO C=413558
			SHEET 1 OF 1	REV T1