

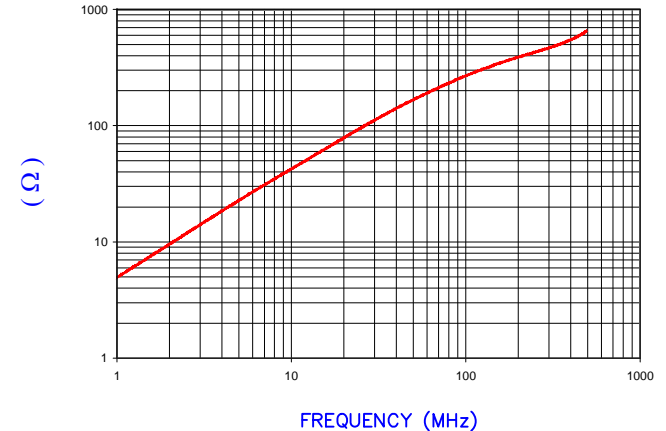
CORE DIMENSIONS:

| | | | |
|---|---------------|---|-------------|
| A | 14.99 [.590] | ± | 0.23 [.009] |
| B | 6.76 [.266] | ± | 0.25 [.010] |
| C | 28.83 [1.135] | ± | 0.51 [.020] |
| D | 7.49 [.295] | ± | 0.18 [.007] |

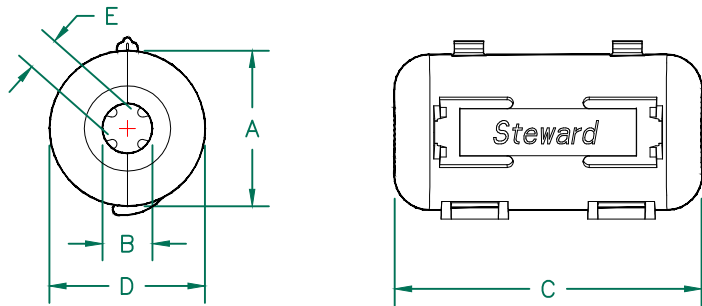
UNCONTROLLED DOCUMENT

| IMPEDANCE (Z) | | | |
|-----------------|--------|---------|---------|
| Frequency | 25 MHz | 100 MHz | 300 MHz |
| Nominal (REF) | 95 Ω | 270 Ω | 460 Ω |
| Minimum | - Ω | 216 Ω | - Ω |

Z vs. FREQUENCY
(REF. ONLY)



AGILENT E4991A Impedance/Material Analyzer
HP 16092A-Test Fixture



NOTES:

1. ASSEMBLED PART #: 28A2026-0A2
2. CASE COLOR: BLACK - "0A2"
3. CASE FLAMMABILITY RATING: UL94 V-2.
4. CASE MATERIAL: Halogen Free Nylon
5. COSMETIC SPECIFICATION REFER TO WI-QA-038.

CASE DIMENSIONS:

| | | | |
|---|---------------|---|------|
| A | 21.00 [.827] | ± | Ref. |
| B | 6.80 [.268] | ± | Ref. |
| C | 41.70 [1.642] | ± | Ref. |
| D | 21.00 [.827] | ± | Ref. |
| E | 4.85 [.191] | ± | Ref. |

| DIMENSIONS ARE IN mm [INCHES]. | | | | This print is the property of Laird Tech. and is loaned in confidence subject to return upon request and with the understanding that no copies shall be made without the written consent of Laird Tech. All rights to design or invention are reserved. | | |
|--|--|----------|-----|---|------------------------------------|-----------------------------|
| H | UPDATE COMPANY LOGO ,ADD NOTE 5 | 08/23/14 | QIU | | | |
| G | UPDATED NOTE 3 | 09/15/10 | JUN | | | |
| F | UPDATE COMPANY LOGO ADD NOTE 3&4 | 01/27/09 | JRK | | | |
| E | UPDATE 100MHz MINIMUM VALUE | 11/01/07 | TMB | | | |
| D | UPDATE COMPANY LOGO | 04/18/07 | TMB | | | |
| PROJECT/PART NUMBER: 28A2026-0A2 | | | | REV H | PART TYPE: CASE ASSEMBLY | DRAWN BY: JRK |
| C | CHANGE CASE DIMENSION TOLERANCES REVISE NOTE 1 | 03/05/07 | TMB | DATE: 06/29/04 | SCALE: NTS | MATERIAL: FERRITE |
| REV | DESCRIPTION | DATE | INT | CAD # 28A2026-0A2-H | TOOL # - | |