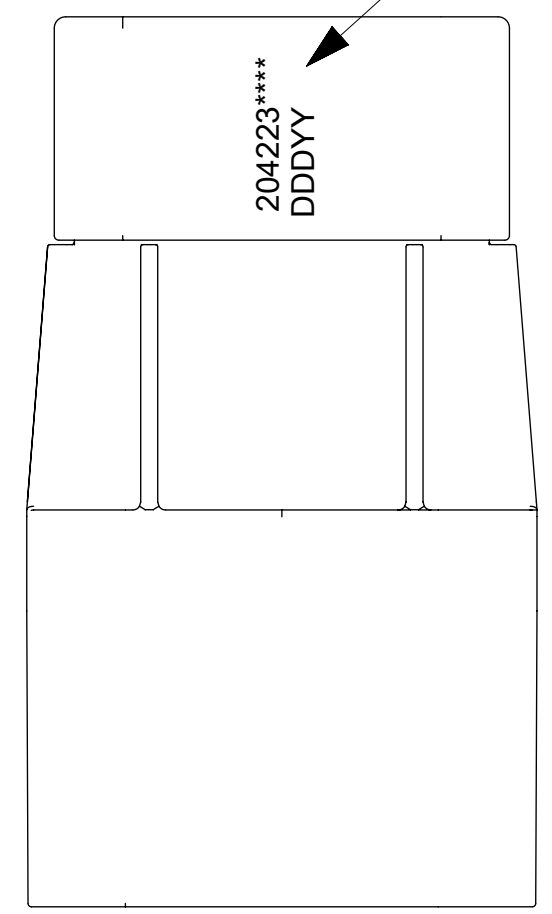


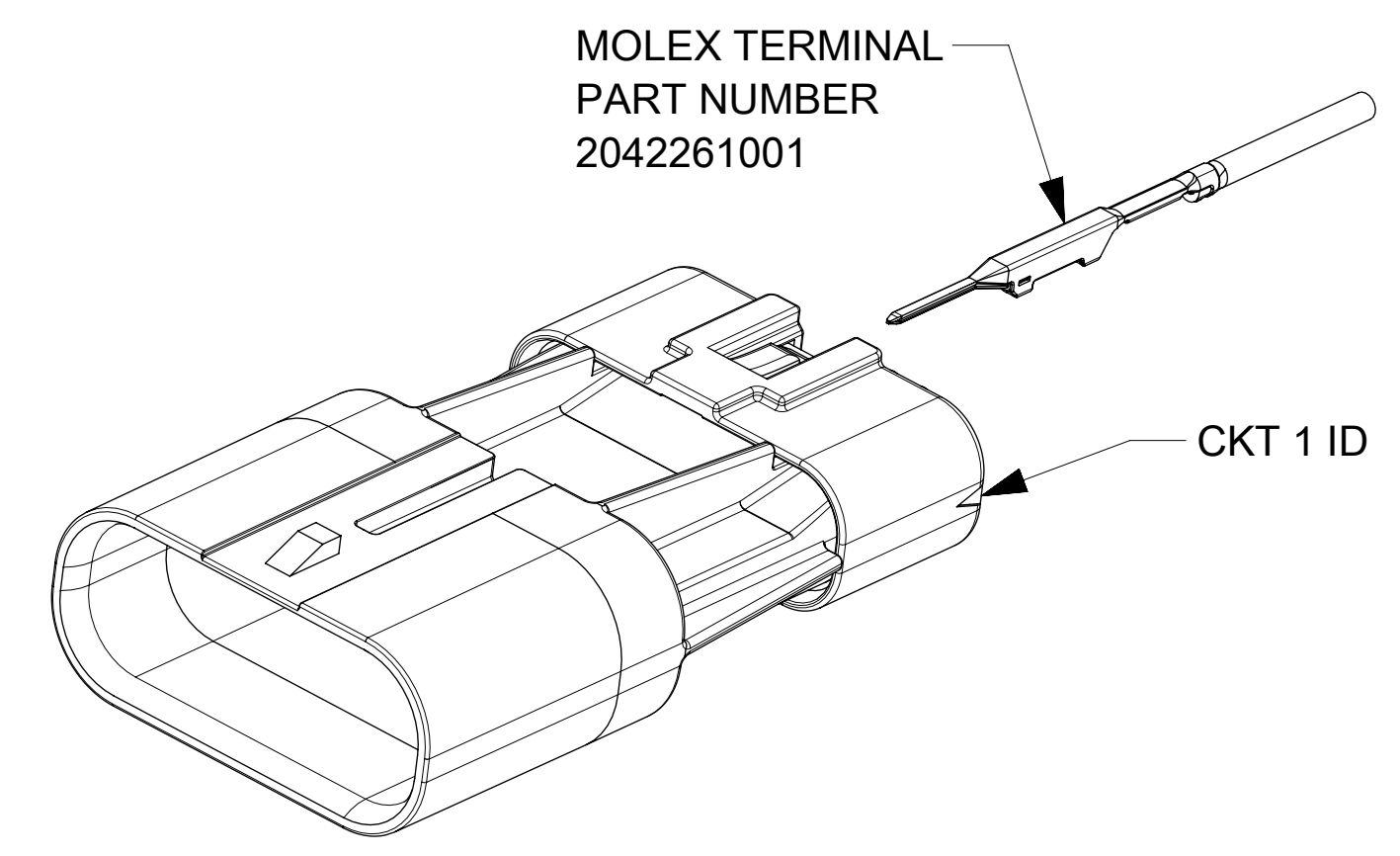
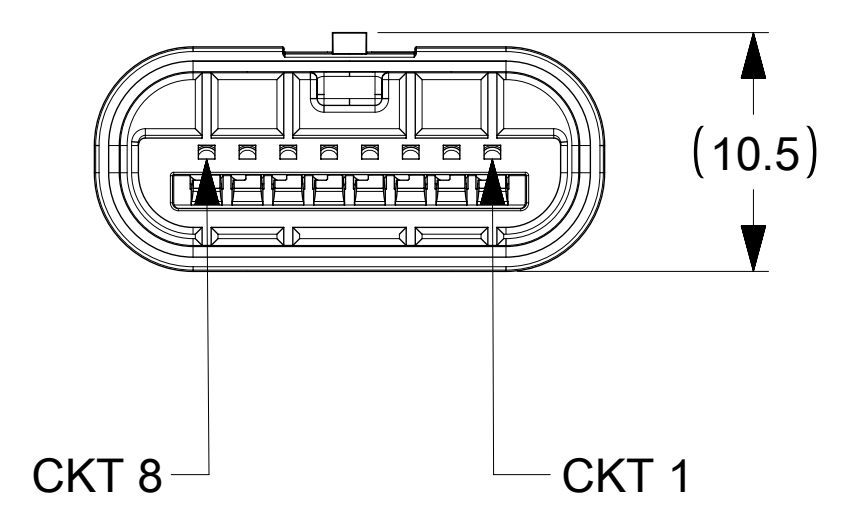
SECTION A-A

LASER MARKED THIS SURFACE WITH MOLEX PART NUMBER AND JULIAN DATE CODE: DDDYY



NOTES:

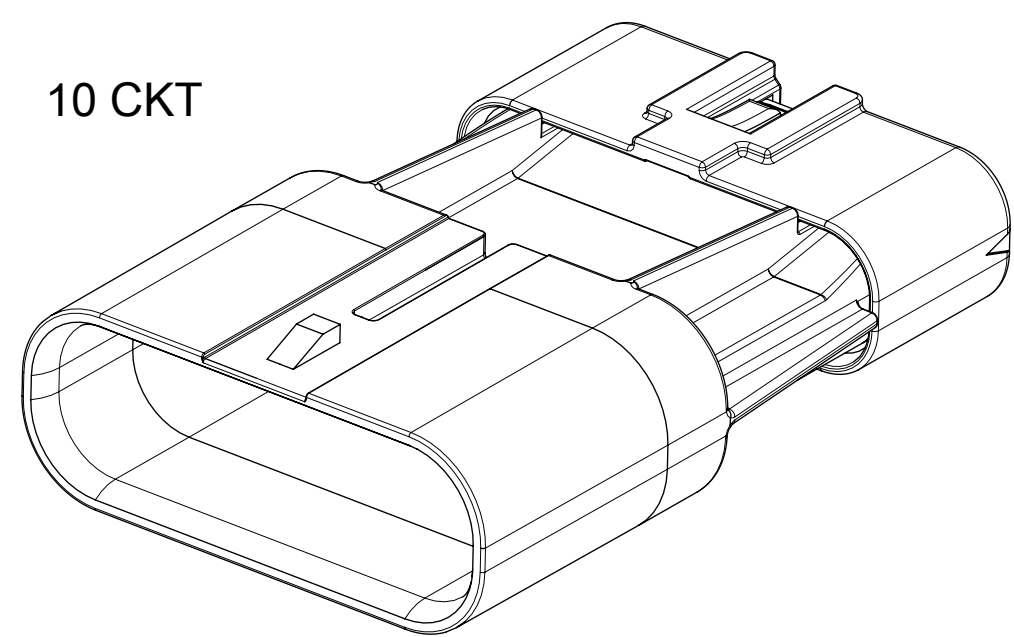
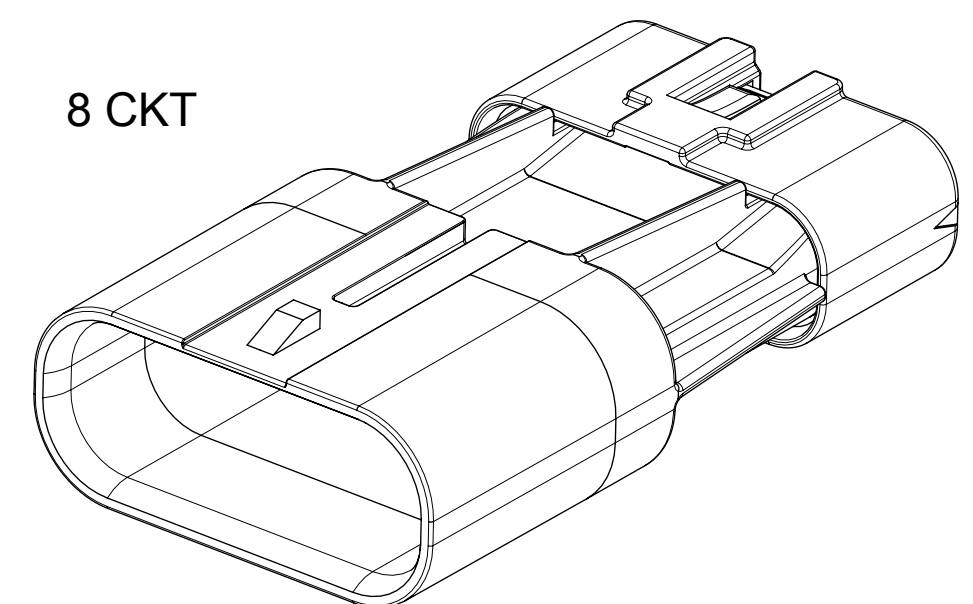
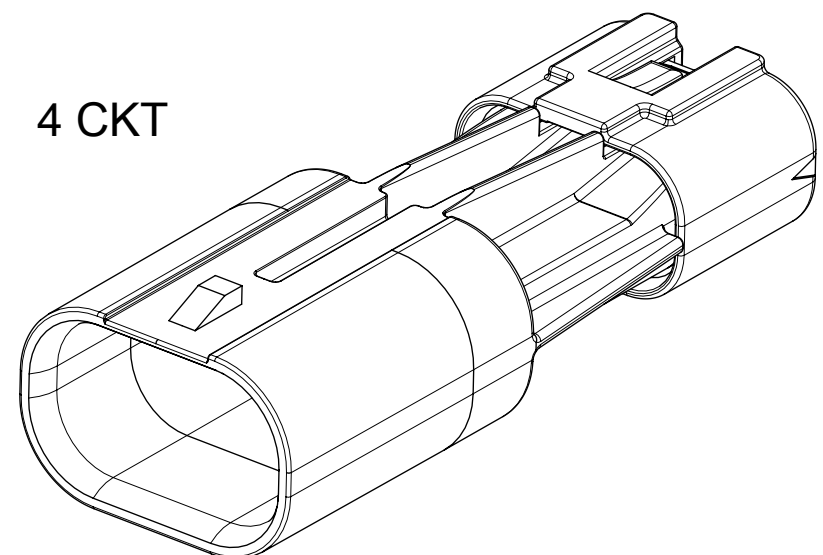
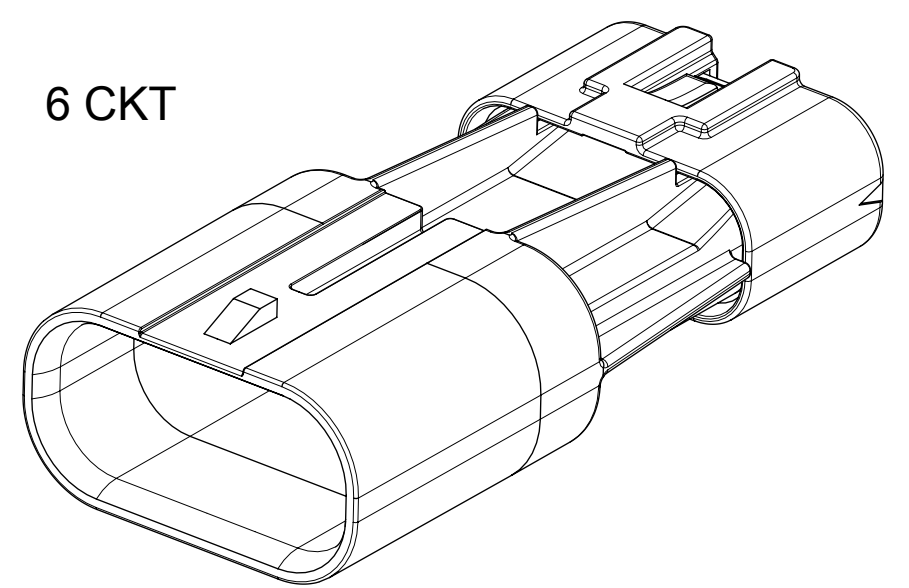
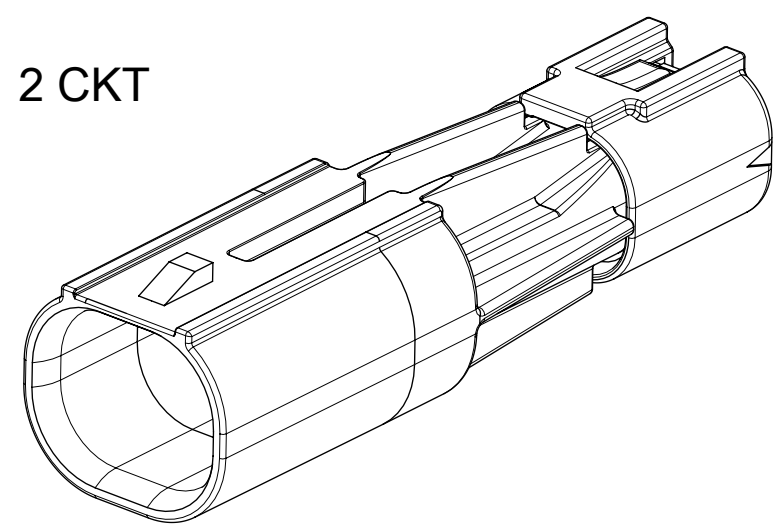
1. MATERIAL:
HOUSING & REAR SEAL CAP: NYLON, UL94V-0, BLACK
SEALS: INHERENTLY LUBRICATED SILICONE
2. FINISH: NONE
3. PRODUCT SPECIFICATION: 2042200000-PS
4. APPLICATION SPECIFICATION: 2042200000-AS
- ⓑ1 5. PACKAGING SPECIFICATION: 2042230000-PK, 2042230100-PK
6. THIS PART MATES WITH RECEPTACLE SERIES 204220.
7. THIS PART USES TERMINAL PART NUMBER 2042261001.
8. THIS PART CONFORMS TO CLASS 'C' REQUIREMENTS OF COSMETIC SPECIFICATION PS-45499-002.
9. VOIDED CIRCUITS HAVE A PLUG IN THE MATTE SEAL TO SEAL THE CIRCUIT AND WILL NOT ACCEPT TERMINALS.
10. THE 7MM CLIP SLOT CONFORMS TO EWCAP-005 REV D



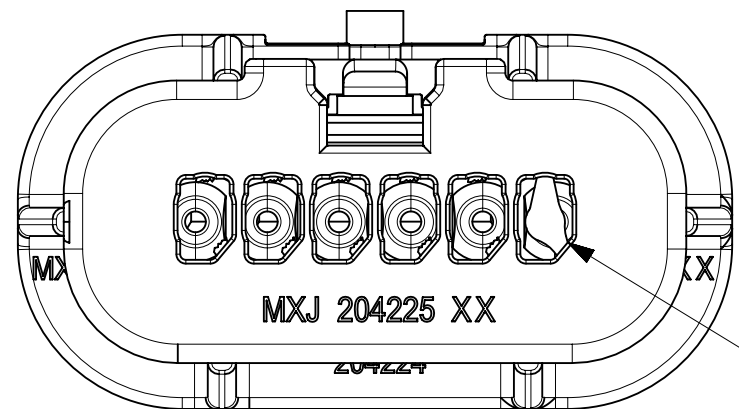
CIRCUIT SIZE	DIM A
2	11.7
4	15.3
6	18.9
8	22.5
10	26.1

FUNCTIONAL SYMBOLS $\nabla_A = 0$ $\nabla_C = 0$ $\nabla_P = 0$	THIS DRAWING CONTAINS INFORMATION THAT IS PROPRIETARY TO MOLEX ELECTRONIC TECHNOLOGIES, LLC AND SHOULD NOT BE USED WITHOUT WRITTEN PERMISSION	SCALE		CURRENT REV DESC:									
	DIMENSION UNITS	mm	3:1										
	GENERAL TOLERANCES (UNLESS SPECIFIED)		ANGULAR TOL ± °		EC NO: 724638		PLUG ASSEMBLY SQUBA 1.8						
	4 PLACES ±		3 PLACES ±		DRWN: VENKAS5 2022/10/13								
DIVISIONAL SYMBOLS		2 PLACES ±		CHK'D: VENKAS5 2022/10/13		PRODUCT CUSTOMER DRAWING							
1 PLACE ± 0.2		0 PLACES ±		APPR: MRAMAKRISHNA 2022/10/19									
DRAFT WHERE APPLICABLE MUST REMAIN WITHIN DIMENSIONS		THIRD ANGLE PROJECTION		INITIAL REVISION:		DOCUMENT NUMBER		DOC TYPE		DOC PART		REVISION	
				DRWN: TGREGORI 2017/05/03		2042230000-SD		PSD		000		B1	
		C-SIZE		APPR: RHODGE 2018/01/26		SEE TABLE		GENERAL MARKET		SHEET NUMBER		1 OF 3	

CIRCUIT SIZE	MATERIAL NUMBER	VOIDED CIRCUIT SEE NOTE 9	CLIP SLOT VERSION
2	204223-0002	NONE	NO
4	204223-0004	NONE	NO
6	204223-0006	NONE	NO
8	204223-0008	NONE	NO
10	204223-0010	NONE	NO
2	204223-9902	ALL CIRCUITS VOIDED	NO
4	204223-9904	ALL CIRCUITS VOIDED	NO
6	204223-9906	ALL CIRCUITS VOIDED	NO
8	204223-9908	ALL CIRCUITS VOIDED	NO
10	204223-9910	ALL CIRCUITS VOIDED	NO
4	204223-4004	4	NO
6	204223-6006	6	NO
8	204223-8008	8	NO
10	204223-1110	10	NO
8	204223-9808	1,2,5,6	NO
8	204223-9708	5	NO
8	204223-9608	3,6	NO
2	204223-0102	NONE	YES
4	204223-0104	NONE	YES
6	204223-0106	NONE	YES
8	204223-0108	NONE	YES
10	204223-0110	NONE	YES



AVAILABLE CIRCUIT SIZES

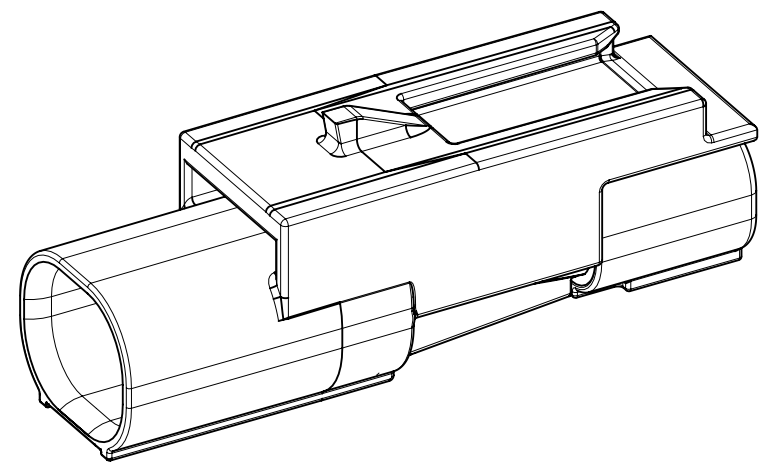


VOIDED CIRCUIT(S)
HAVE PLUG(S) PRESENT
SEE NOTE 9

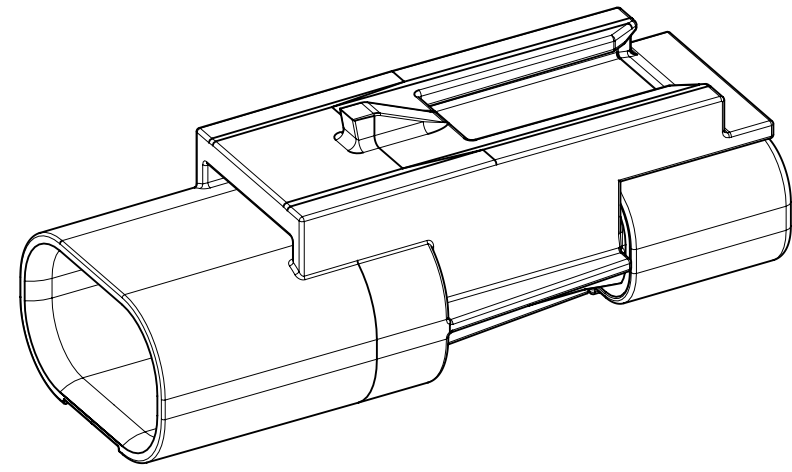
FUNCTIONAL SYMBOLS $\nabla_A = 0$ $\nabla_C = 0$ $\nabla_P = 0$ DIVISIONAL SYMBOLS 4 PLACES \pm 3 PLACES \pm 2 PLACES \pm 1 PLACE ± 0.2 0 PLACES \pm DRAFT WHERE APPLICABLE MUST REMAIN WITHIN DIMENSIONS	THIS DRAWING CONTAINS INFORMATION THAT IS PROPRIETARY TO MOLEX ELECTRONIC TECHNOLOGIES, LLC AND SHOULD NOT BE USED WITHOUT WRITTEN PERMISSION		SCALE 3:1		CURRENT REV DESC: EC NO: 724638 DRWN: VENKAS5 CHK'D: VENKAS5 APPR: MRAMAKRISHNA INITIAL REVISION: DRWN: TGREGORI APPR: RHODGE			
	GENERAL TOLERANCES (UNLESS SPECIFIED) ANGULAR TOL \pm °		2022/10/13 2022/10/13 2022/10/19		PLUG ASSEMBLY SQUBA 1.8		PRODUCT CUSTOMER DRAWING	
	DOCUMENT NUMBER 2042230000-SD		DOC TYPE PSD		DOC PART 000		REVISION B1	
	DRAFTING C-SIZE		SERIES 204223		MATERIAL NUMBER SEE TABLE		CUSTOMER GENERAL MARKET	
DOCUMENT STATUS P1		RELEASE DATE 2022/10/19 08:39:04		SHEET NUMBER 2 OF 3				

CONFIGURATIONS
SCALE : 3:1

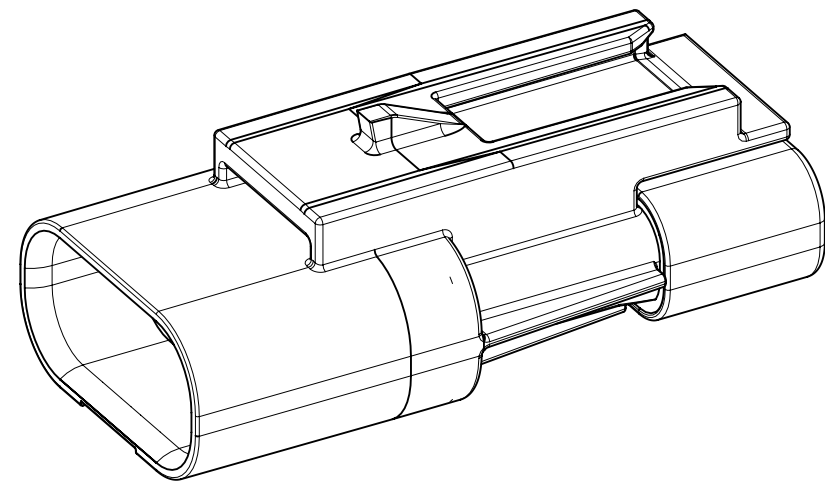
CIRCUIT SIZE	DIM A
2	11.7
4	15.3
6	18.9
8	22.5
10	26.1



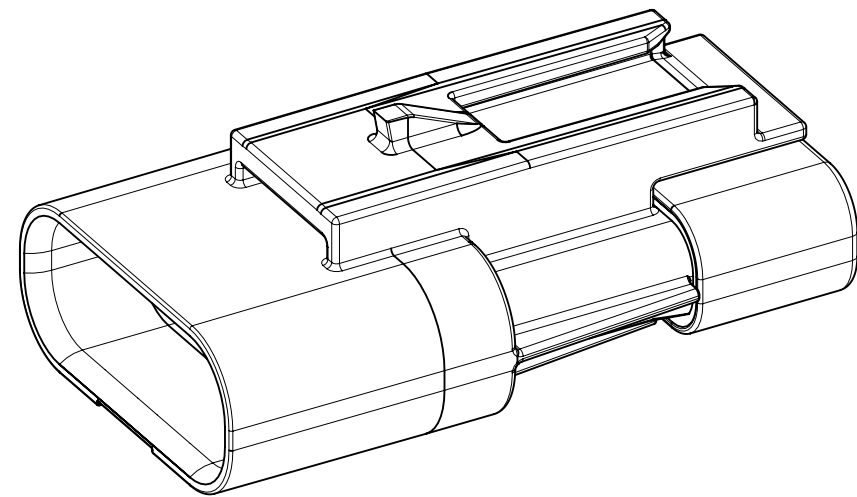
2 CIRCUIT



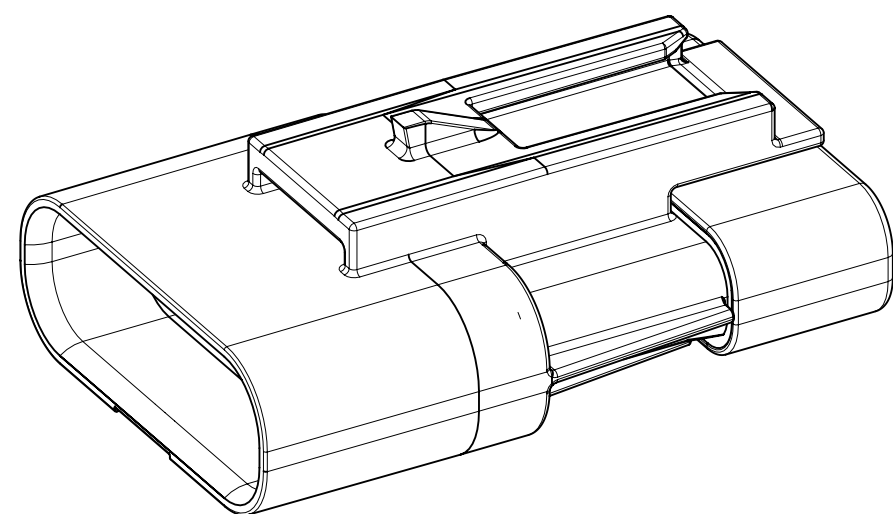
4 CIRCUIT



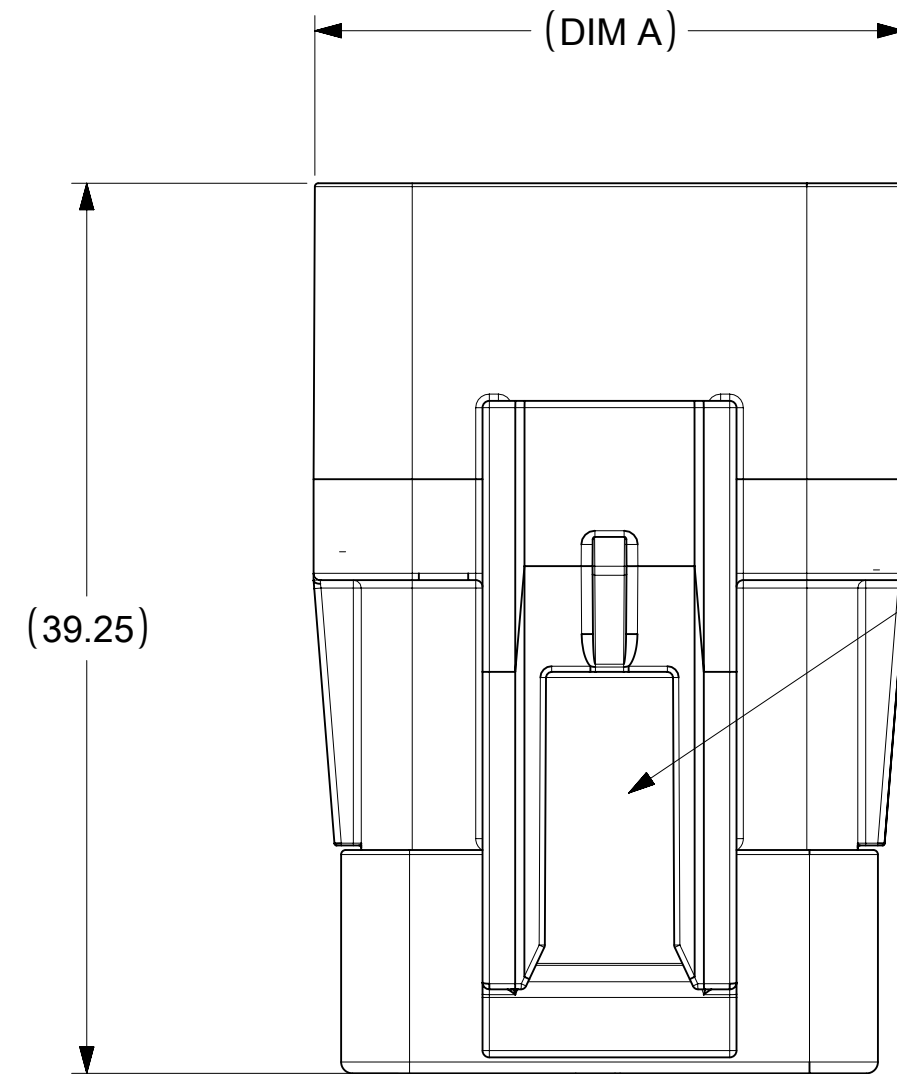
6 CIRCUIT



8 CIRCUIT

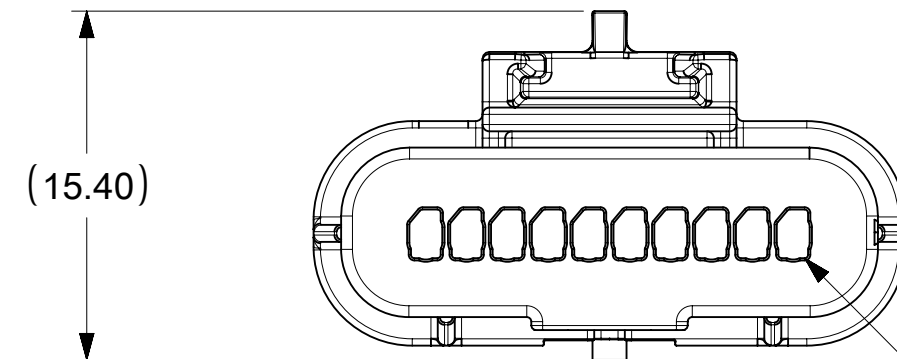


10 CIRCUIT

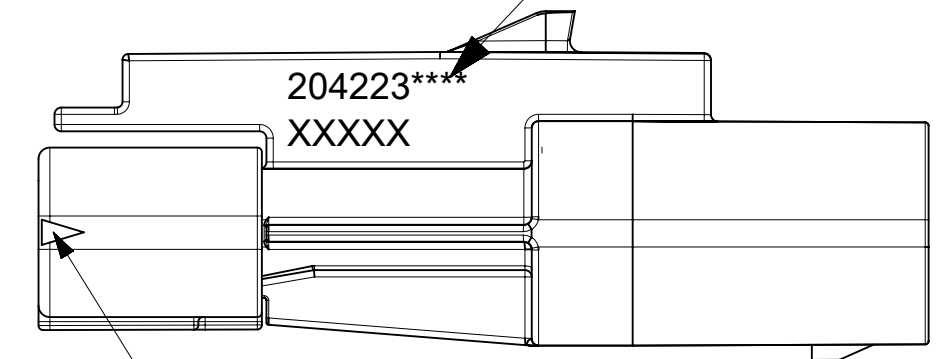


EWCAP-005 7MM CLIP SLOT

LASER MARKED THIS SURFACE WITH
MOLEX PART NUMBER AND
JULIAN DATE CODE: DDDYY



CKT 1



CKT 1 ID

FUNCTIONAL SYMBOLS $\nabla_A = 0$ $\nabla_C = 0$ $\nabla_P = 0$	THIS DRAWING CONTAINS INFORMATION THAT IS PROPRIETARY TO MOLEX ELECTRONIC TECHNOLOGIES, LLC AND SHOULD NOT BE USED WITHOUT WRITTEN PERMISSION		CURRENT REV DESC:		
	DIMENSION UNITS	SCALE	EC NO: 724638		
	mm	3:1	DRWN: VENKAS5 2022/10/13		
	GENERAL TOLERANCES (UNLESS SPECIFIED)		CHK'D: VENKAS5 2022/10/13		
ANGULAR TOL ± °		APPR: MRAMAKRISHNA 2022/10/19		PRODUCT CUSTOMER DRAWING	
DIVISIONAL SYMBOLS		INITIAL REVISION:		DOCUMENT NUMBER	DOC TYPE DOC PART REVISION
4 PLACES ±		DRWN: TGREGORI 2017/05/03		2042230000-SD	PSD 000 B1
3 PLACES ±		APPR: RHODGE 2018/01/26			
2 PLACES ±		DRAFT WHERE APPLICABLE MUST REMAIN WITHIN DIMENSIONS		MATERIAL NUMBER	CUSTOMER
1 PLACE ± 0.2		THIRD ANGLE PROJECTION		SEE TABLE	GENERAL MARKET
0 PLACES ±		DRAWING SERIES		SHEET NUMBER	
		C-SIZE 204223		3 OF 3	