

MATERIALS AND FINISHES

BODY: ZINC ALLOY
PLATED NICKEL

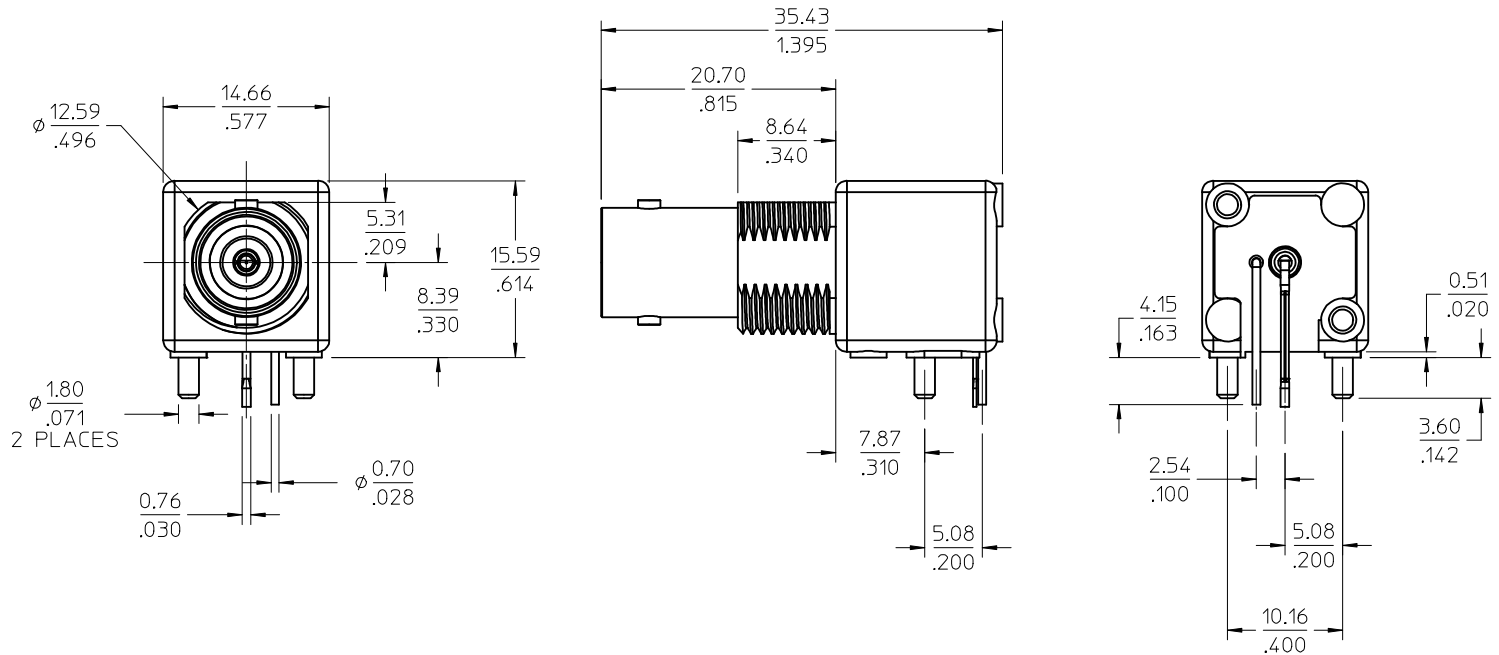
CONTACT: PHOSPHOR BRONZE
PLATED GOLD

INSULATOR: POLYPROPYLENE (94 V-2)

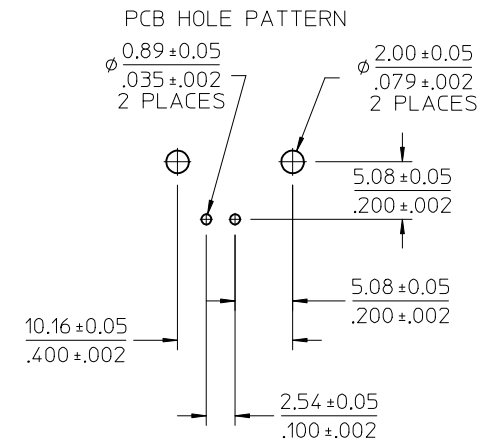
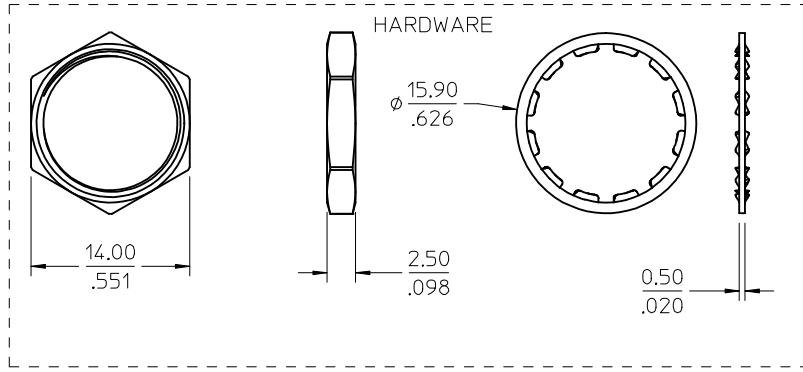
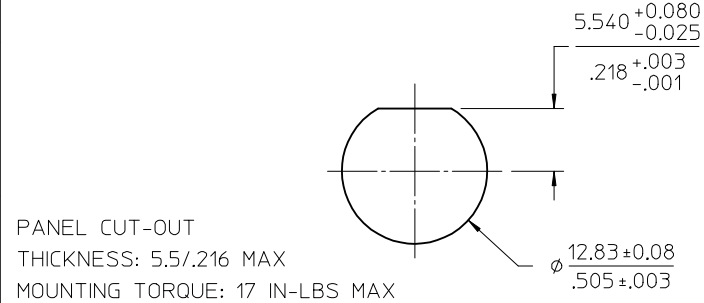
MOUNTING POST: BRASS
PLATED TIN

JAM NUT: BRASS
PLATED NICKEL

SOLDER TAIL: COPPER COVERED STEEL
PLATED TIN



73171-4360	INCLUDED	QTY (1) OF 73138-5033 IN SINGLE BAG WITH LABEL
73171-3720	NOT INCLUDED	TRAY PER PK-89542-0021
73138-5033	INCLUDED	TRAY PER PK-89542-0020
PART NO.	HARDWARE	PACKAGING



PS-89675-1030	ELEC/MECH PERFORMANCE
SPECIFICATION	DESCRIPTION

CHG: ADD PN OF PKG FOR -3720 & -5033 PER EWR 10882-A	EC NO: URF2017-0360	DRW:WME102	2017/04/19	CHKD: APPR: YCHENG	2017/05/09				
<table border="1"> <tr> <th>REV</th> <th>DESCRIPTION</th> </tr> <tr> <td>G5</td> <td></td> </tr> </table>						REV	DESCRIPTION	G5	
REV	DESCRIPTION								
G5									

QUALITY SYMBOLS ▽=0 ▽=0	GENERAL TOLERANCES (UNLESS SPECIFIED)	
	mm	INCH
	4 PLACES ±	---
	3 PLACES ±	---
	2 PLACES ±	---
	1 PLACE ±	---
	ANGULAR ± 2 °	

DRAWN BY IRIS WANG	DATE 1991/02/26
	CHECKED BY IRIS WANG
DATE 1991/02/26	APPROVED BY R FIELDS
DATE 1991/02/26	

DIMENSION STYLE MM/IN	SCALE	DESIGN UNITS METRIC	THIRD ANGLE PROJECTION
TITLE BNC JACK RA BULKHEAD DIECAST 50 OHM BNC-J/PCB			
MATERIAL NO. SEE TABLE			
DOCUMENT NO. SD-73138-5033			
SHEET NO. 1 OF 1			

MOLEX INCORPORATED	
THIS DRAWING CONTAINS INFORMATION THAT IS PROPRIETARY TO MOLEX INCORPORATED AND SHOULD NOT BE USED WITHOUT WRITTEN PERMISSION	

MATERIALS AND FINISHES

BODY: ZINC ALLOY
PLATED NICKEL

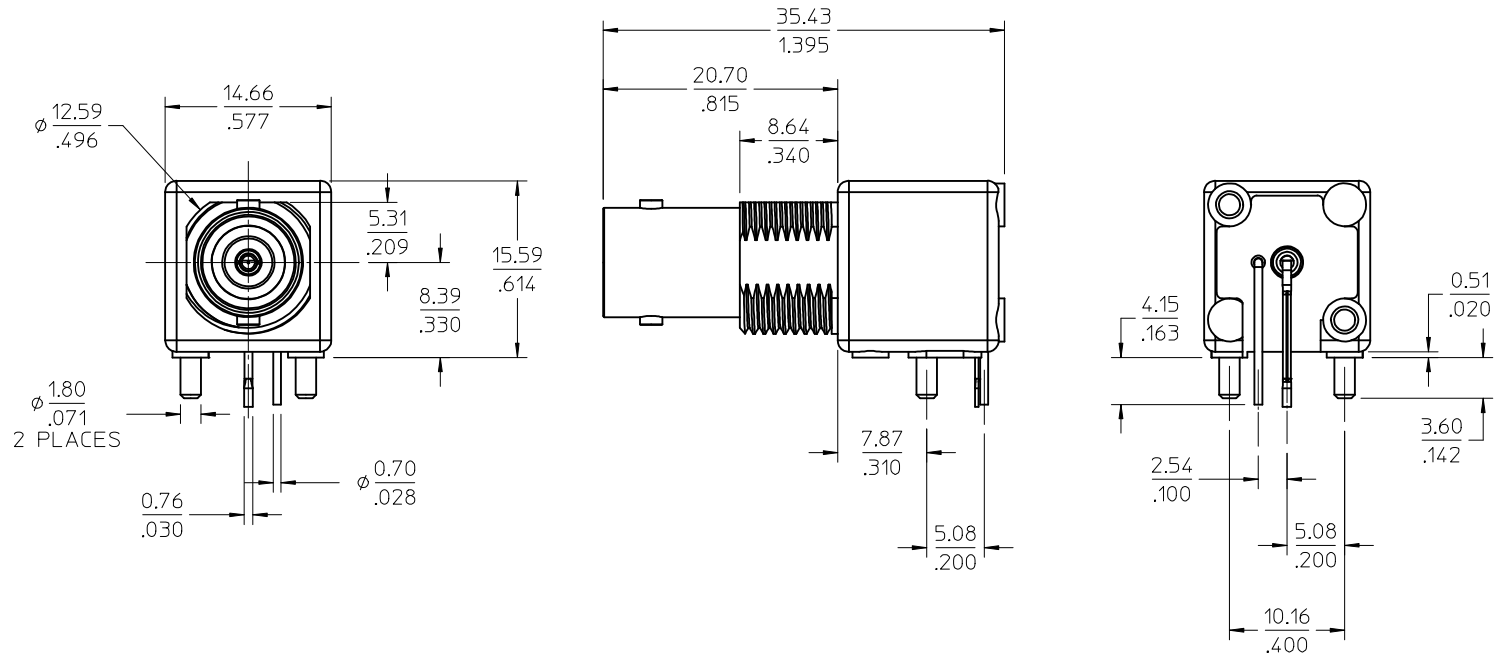
CONTACT: PHOSPHOR BRONZE
PLATED GOLD

INSULATOR: POLYPROPYLENE (94 V-2)

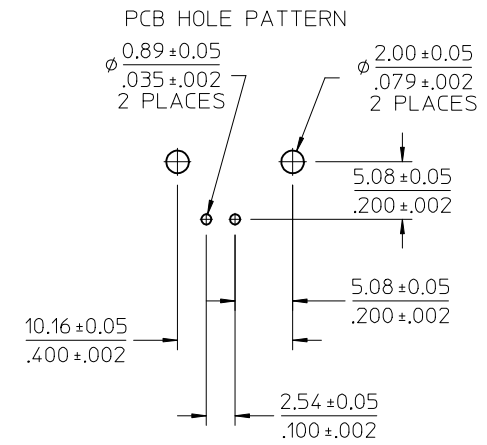
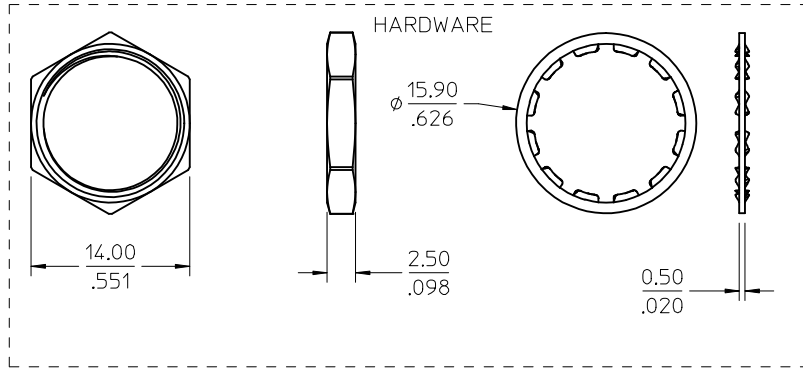
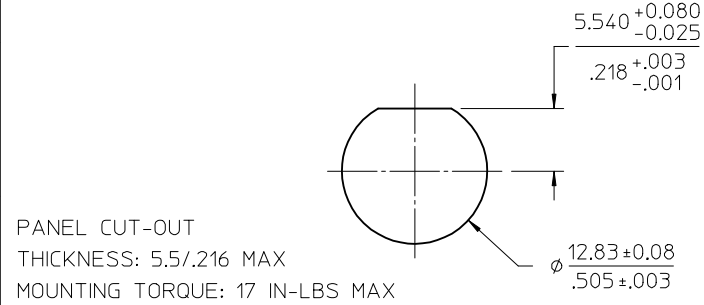
MOUNTING POST: BRASS
PLATED TIN

JAM NUT: BRASS
PLATED NICKEL

SOLDER TAIL: COPPER COVERED STEEL
PLATED TIN



73171-4360	INCLUDED	QTY (1) OF 73138-5033 IN SINGLE BAG WITH LABEL
73171-3720	NOT INCLUDED	TRAY PER PK-89542-0021
73138-5033	INCLUDED	TRAY PER PK-89542-0020
PART NO.	HARDWARE	PACKAGING



PS-89675-1030	ELEC/MECH PERFORMANCE
SPECIFICATION	DESCRIPTION

CHG: ADD PN OF PKG FOR -3720 & -5033 PER EWR 10882-A	EC NO: URF2017-0360	DRW:WME102	2017/04/19	CHKD: APPR:YCHENG	2017/05/09				
<table border="1"> <tr> <th>REV</th> <th>DESCRIPTION</th> </tr> <tr> <td>G5</td> <td></td> </tr> </table>						REV	DESCRIPTION	G5	
REV	DESCRIPTION								
G5									

QUALITY SYMBOLS	GENERAL TOLERANCES (UNLESS SPECIFIED)	DIMENSION STYLE	SCALE	DESIGN UNITS	THIRD ANGLE PROJECTION
▽=0	mm INCH	MM/IN		METRIC	
▽=0	4 PLACES ± --- ± ---	DRAWN BY DATE	TITLE		
	3 PLACES ± --- ± ---	IRIS WANG 1991/02/26	BNC JACK RA BULKHEAD		
	2 PLACES ± --- ± ---	CHECKED BY DATE	DIECAST 50 OHM		
	1 PLACE ± --- ± ---	IRIS WANG 1991/02/26	BNC-J/PCB		
	ANGULAR ± 2 °	APPROVED BY DATE			
		R FIELDS 1991/02/26			
		MATERIAL NO.	SEE TABLE		
		DOCUMENT NO.	SD-73138-5033		
		SHEET NO.	1 OF 1		

DRAFT WHERE APPLICABLE MUST REMAIN WITHIN DIMENSIONS		THIS DRAWING CONTAINS INFORMATION THAT IS PROPRIETARY TO MOLEX INCORPORATED AND SHOULD NOT BE USED WITHOUT WRITTEN PERMISSION	
--	--	---	--