

THIS DRAWING IS UNPUBLISHED. RELEASED FOR PUBLICATION
 © COPYRIGHT copyright.d8te- ALL RIGHTS RESERVED.

REVISIONS				
P	LTR	DESCRIPTION	DATE	APVD
B		ECR-16-010100, UPDATE NAME	14JUL2016	L.Z X.X
C		ECR-19-009136	11JUL2019	C.D C.W

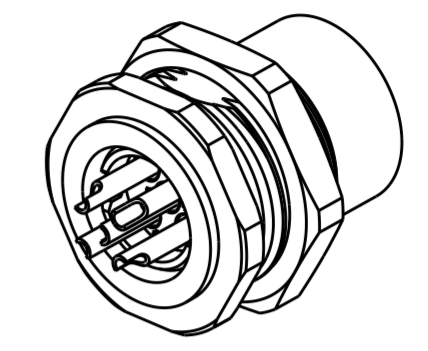
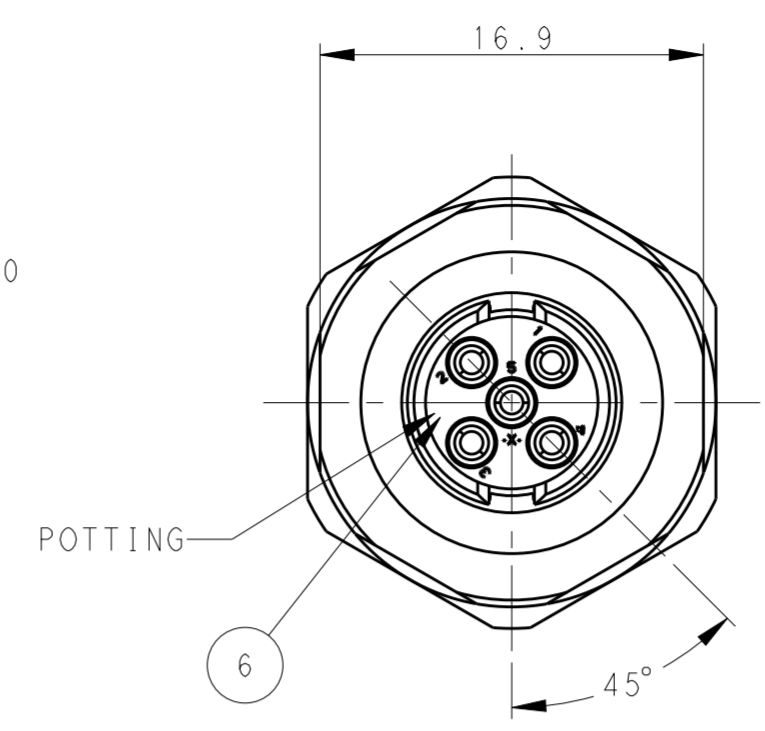
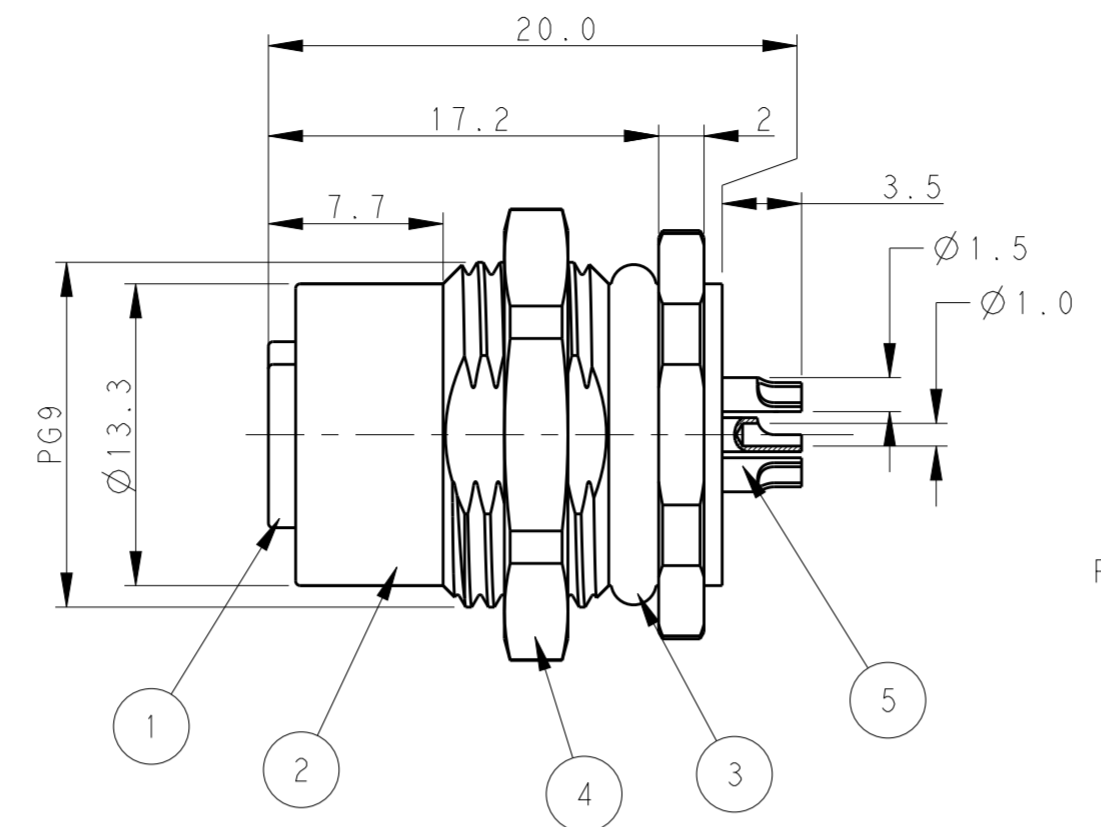
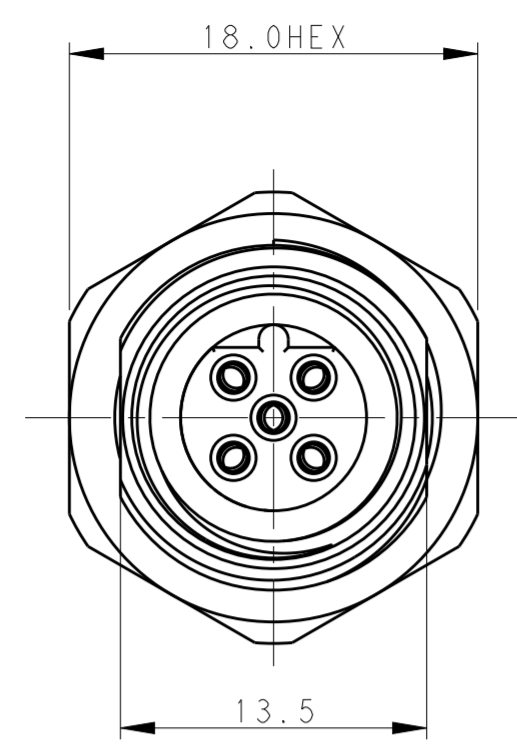


TABLE 1

TECHNICAL DATA	T4131412021-000	T4131412031-000	T4131412041-000	T4131412051-000
RATED VOLTAGE	250V	250V	250V	250V
RATED CURRENT	4A	4A	4A	4A
POLLUTION DEGREE	3	3	3	3
OVERVOLTAGE CATEGORY	II	II	II	II
MATERIAL GROUP	II	II	II	II
CONTACT RESISTANCE	<=10mΩ	<=10mΩ	<=10mΩ	<=10mΩ
INSULATION RESISTANCE	>100MΩ	>100MΩ	>100MΩ	>100MΩ
DEGREE OF PROTECTION	IP67	IP67	IP67	IP67
OPERATION TEMPERATURE	-30~85°C	-30~85°C	-30~85°C	-30~85°C

NOTE:
 1. TECHNICAL DATA: SEE TABLE 1
 2. RECOMMENDED MOUNT PANEL SEE DETAIL
 3. PACKAGING: 1 PIECE IN A BAG
 4. ALL DIMENSIONS ARE FOR NOMINAL REFERENCE ONLY UNLESS OTHERWISE STATED

注释:
 1. 技术参数, 见表1
 2. 推荐开孔尺寸详见如图所示
 3. 包装: 1PCS/袋
 4. 所有尺寸仅供参考, 除非另有说明

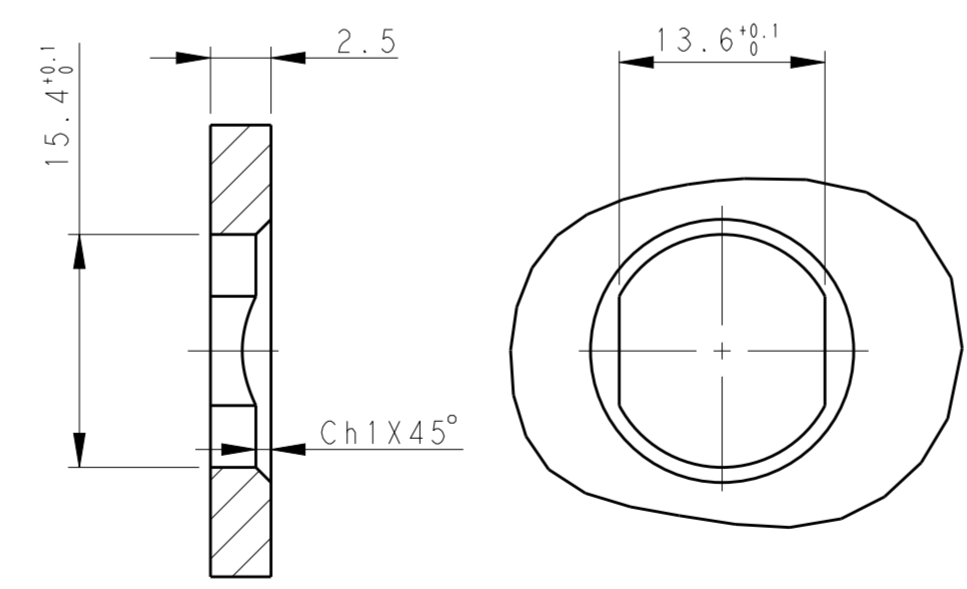
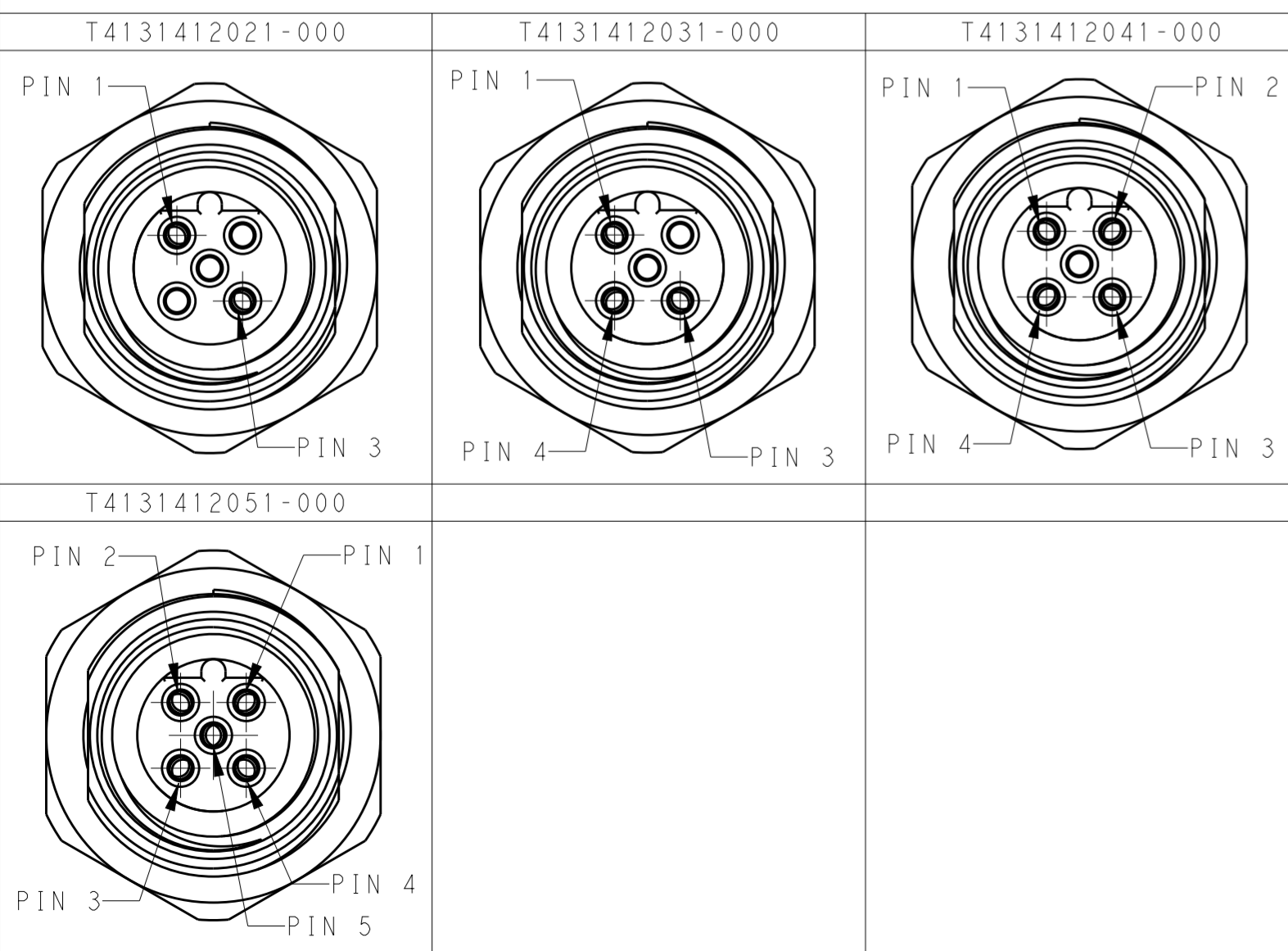
T41314120X1-000

- CONTACT FINISH:
1: GOLD 3u''
- NUMBER OF PINS:
02: 2 PINS
03: 3 PINS
04: 4 PINS
05: 5 PINS

T41314120X1-000

- 端子电镀:
1: 3u''金
- 针数:
02: 2 针
03: 3 针
04: 4 针
05: 5 针

PIN ARRANGEMENT B-CODE



RECOMMENDED PANEL CUTOUT

T4131412021-000	RPC-M12B-FF-2CON-PG9-LAU
T4131412031-000	RPC-M12B-FF-3CON-PG9-LAU
T4131412041-000	RPC-M12B-FF-4CON-PG9-LAU
T4131412051-000	RPC-M12B-FF-5CON-PG9-LAU

PLATING	MATERIAL	DESCRIPTION	ITEM
-	EPOXY RESIN	POTTING ADHESIVE	6 1 1 1 1
GOLD PLATED	COPPER ALLOY	CONTACT	5 2 3 4 5
NICKEL PLATED	COPPER ALLOY	METAL NUT	4 1 1 1 1
BLACK	RUBBER	O-RING	3 1 1 1 1
NICKEL PLATED	COPPER ALLOY	M12, MALE, METAL BODY	2 1 1 1 1
-	PA66	M12, MALE HSG	1 1 1 1 1

THIS DRAWING IS A CONTROLLED DOCUMENT. DWN BO GAO 04FEB2016
 CHK KOBBY ZHAO
 APVD XIANG XU
 PRODUCT SPEC 108-106140
 APPLICATION SPEC 114-137144
 MATERIAL - WEIGHT -
 CUSTOMER DRAWING

TE Connectivity
 M12 PANEL MOUNT CONNECTOR
 B CODE, FEMALE, REAR MOUNTING
 WIRE SOLDERING
 SIZE A2 CAGE CODE - DRAWING NO. T41314120X1000
 SCALE 3:1 SHEET 1 OF 1 REV C