



FEATURES

- Signal Band Frequency
- Customizable cable length and cable type
- Rigid PCB Type
- RoHS compliant

RoHS Compliant
includes all homogeneous materials
(see part numbering system for details)

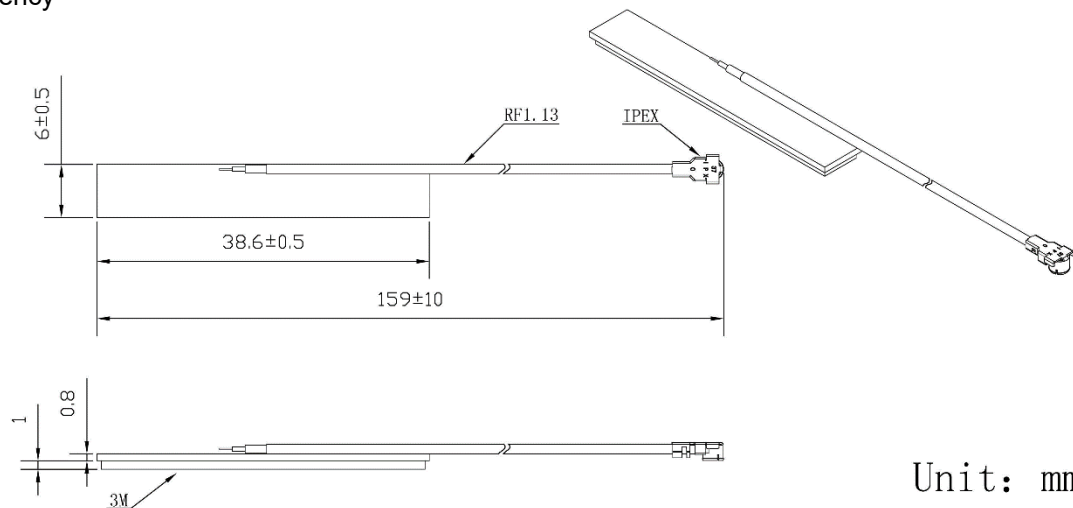
APPLICATIONS

- Gateways
- Routers
- Meters
- Commercial / Handheld Electronics

SPECIFICATIONS

Electrical	
Frequency Range	2400~2483MHz
Gain	3dBi
V.S.W.R	<2.0
Polarization	Linear
Impedance	50Ω
Dimensions (mm):	
Body Length	38.6 ± 0.5
Width	6.0 ± 0.5
Thickness	1.8
Cable Length	100
Cable Type	RF1.13
Connector Type	IPEX
Mounting Method	Adhesive /Embedded

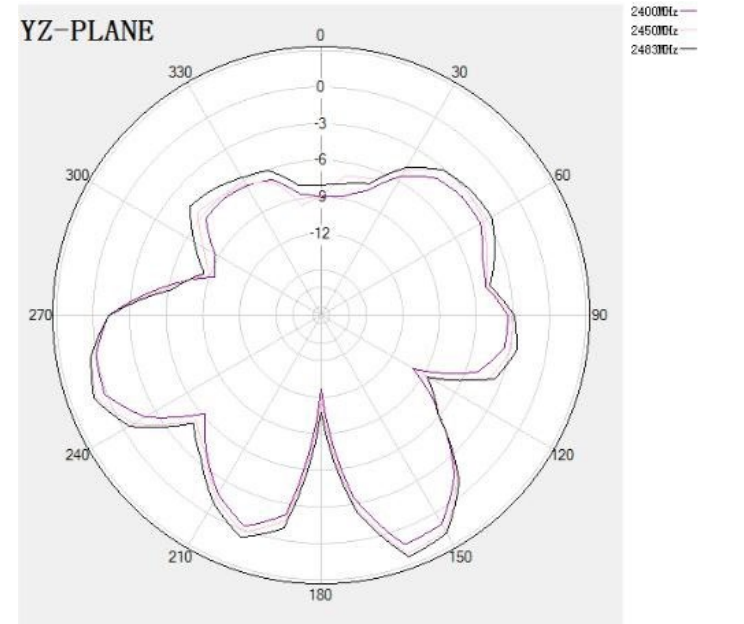
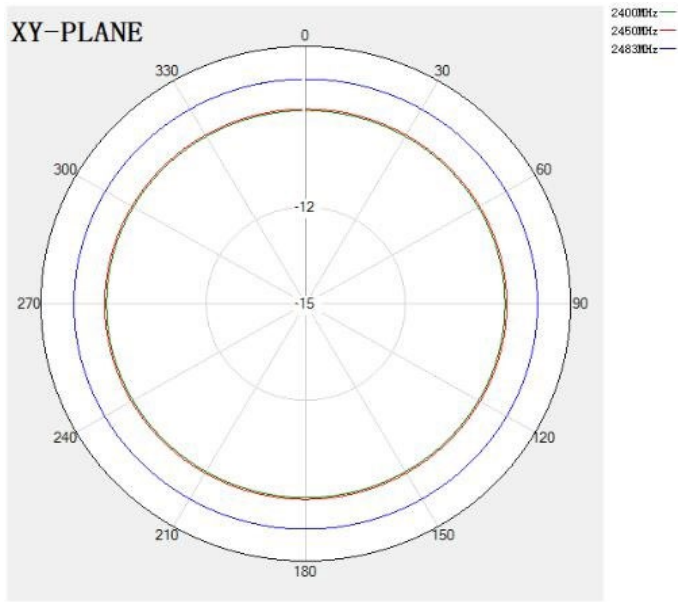
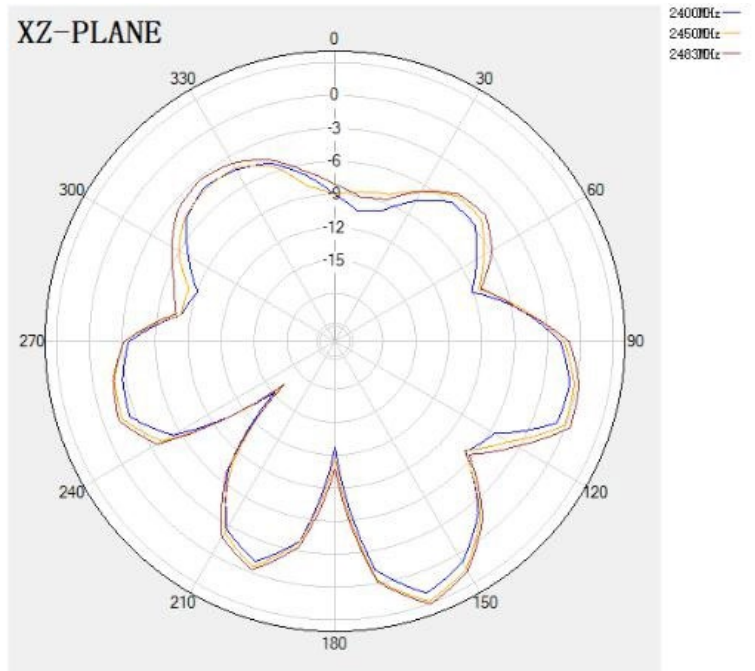
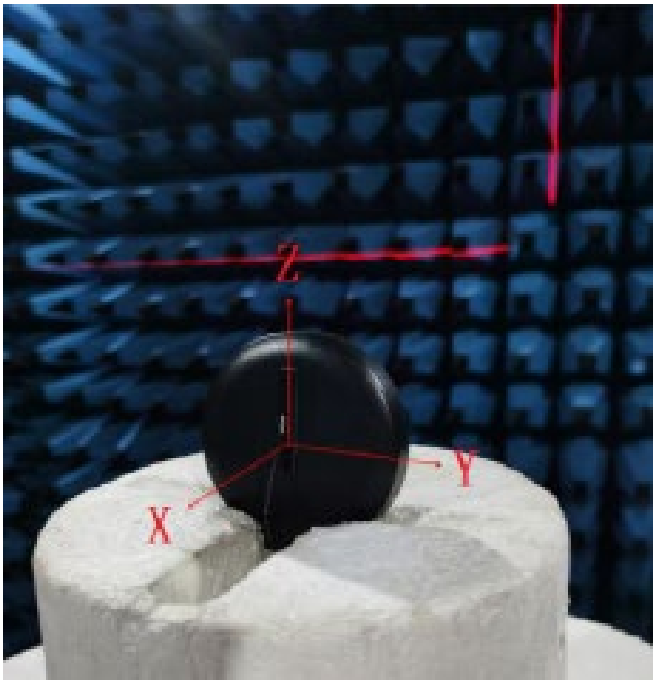
NAN-P 2450 SB A X 100 A F
 ↳ NAN-P = Series
 ↳ 2450 = Center Frequency
 ↳ SB = Single Band Frequency
 ↳ A = Version Code (See page 3)
 ↳ X = IPEX Connector
 ↳ 100 = Cable length in mm
 ↳ A = RF1.13 Cable
 ↳ F = RoHS compliant



Unit: mm

Environmental	
Operating Temperature	-40°C~+85°C
Vibration	10 ~ 55Hz 1.5mm Amplitude 2 Hours
RoHS Compliant	Yes

Radiation/Antenna Patterns



Version History and Status

Version	Date Issued	Details	Status
A	Nov 4 th , 2020	Initial Release	Supported

Please reach out to NIC for any customization requests and other inquiries:

- NIC Technical Support: tpmg@niccomp.com
- Compliance Support: rohs@niccomp.com