

40mm by 40mm by 20mm, 12VDC AXIAL FAN, 3rd wire tachometer**Summary –**

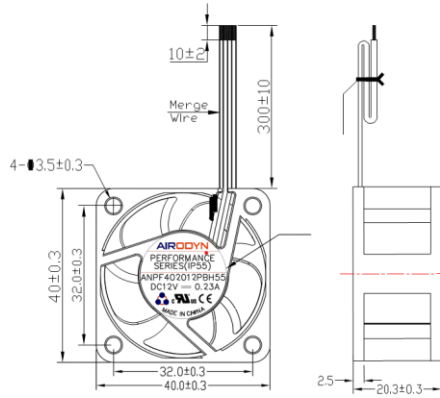
High pressure compact-axial fan with 3rd wire tachometer output signal. 70K hours continuous life at 40 degrees C ambient, IP54, rotor board coating (Humiseal® 1A27)

UL and CE approved. Other 3rd and 4th wire options available (Tacho / 'high on pass' / 'low on pass'). Higher PQ curve model also available

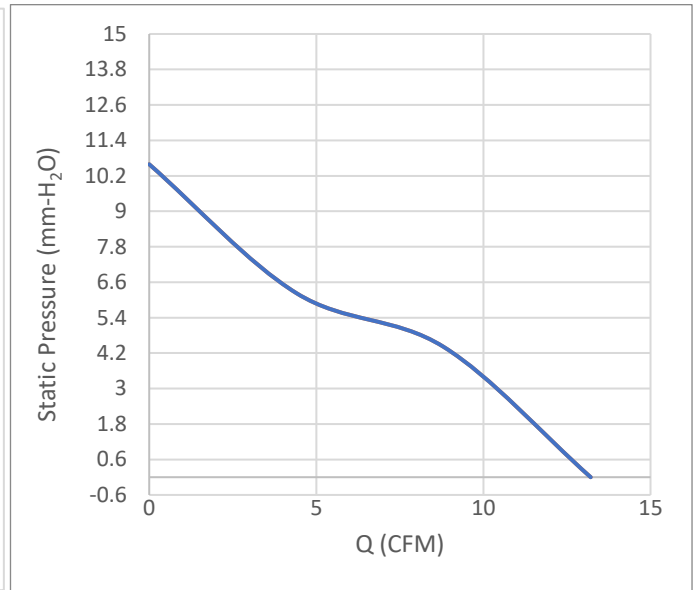
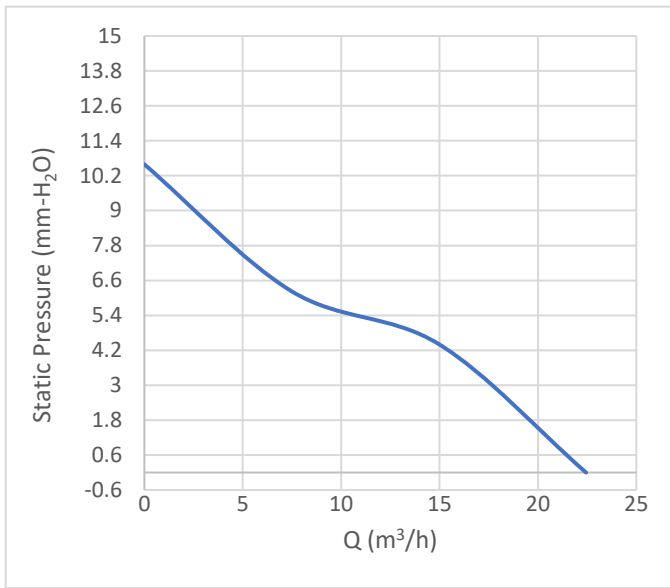
Features -

- 3 wire input 12VDC, 3rd wire 'tachometer' output signal wire
- 13.21CFM free delivery / 0.42"/ H2O
- 12VDC / 8.4W
- IP54 (IP20 coating available upon request)
- Premium Quality Ball Bearing system
- Operating Temperature Range: -20 to +70 degrees C
- Storage Temperature Range: -30 to +70 degrees C
- Leadwires:
 - Red – 12VDC / Black – OVDC / Yellow – Tacho
- UL file number: E512161
- Weight: 30 grams
- Acoustic Noise: 49 (dBA)

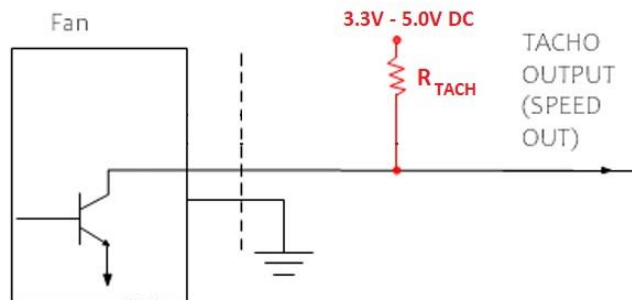
Dimensions -



Airflow / Pressure Curve -



Tacho Circuit -



NB: Suggested pull-up resistor value of 1K to 10K Ω