

Materials

1. Tip, C3604 brass, gold plated
2. Ring, C2680 brass, gold plated
3. Sleeve, C3604 brass, gold plated
4. Insulator, POM, black

Electrical requirements

Dielectric strength: 1 min @ 500 Vac and 2mA
 Insulation resistance: 100 MΩ @ 500 Vdc
 Contact resistance: 50 mΩ or less

Mechanical requirements

Durability: 5000 mating cycles while maintaining normal operation and < 50mΩ
 Bending strength: ≥ 3.2 kg
 Breaking strength: ≥ 6.8 kg

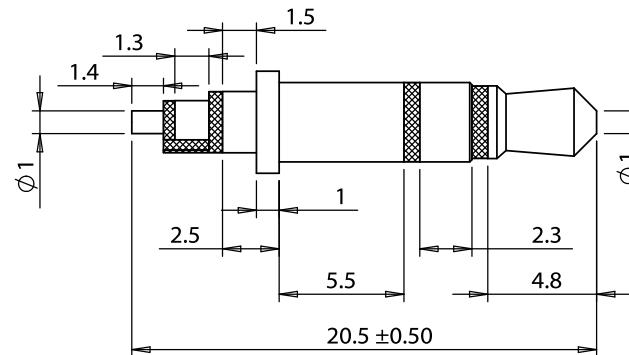
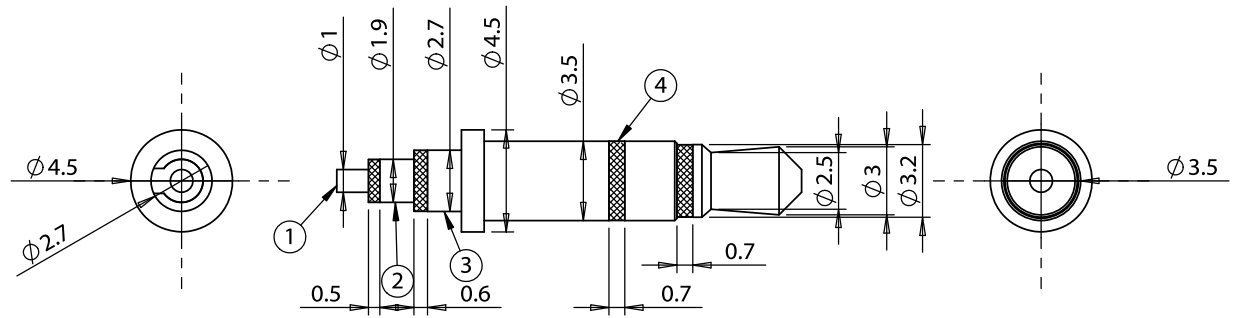
Environmental tests

Salt spray test: 5% NaCl spray at 1ml/80cm²/h, chamber temp 46.5°C, spray temp 35°C, 87% humidity, 48 hours. No oxidation.

Cold resistance: -25°C±3 for 2 hours with no degradation.
 Heat resistance: 85°C±3 for 2 hours with no degradation.

Operating range

-30 to 85 °C



REVISION	DATE	DESCRIPTION
A	12/08/2015	Initial release

PREPARED
GL 2015.12.08
 13:45:37
 -08'00'

VERIFIED
AG 2015.12.08
 15:29:23 -08'00'

DIMENSIONS ARE IN MILLIMETERS

TOLERANCES:
 Up to 1.0: ± 0.1 mm
 1.0 to 10.0: ± 0.2 mm
 Over 10.0: ± 0.3 mm

NOTES
 RoHS compliant

Function test: no open, no short circuit, no intermittent

DESCRIPTION:
 Connector, stereo plug, 3.5xL20.5 mm, brass, gold plated, molding style

TENSILITY

20802 Sockeye Place #130
 Bend, OR 97701 USA
 tel 541.323.3228 fax 541.323.4202
 800 877.670.7118 www.tensility.com

SIZE A	PART NUMBER 50-00502
SCALE: 5:1	WEIGHT:
SHEET 1 OF 1	