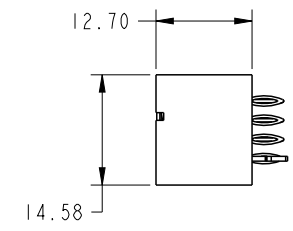
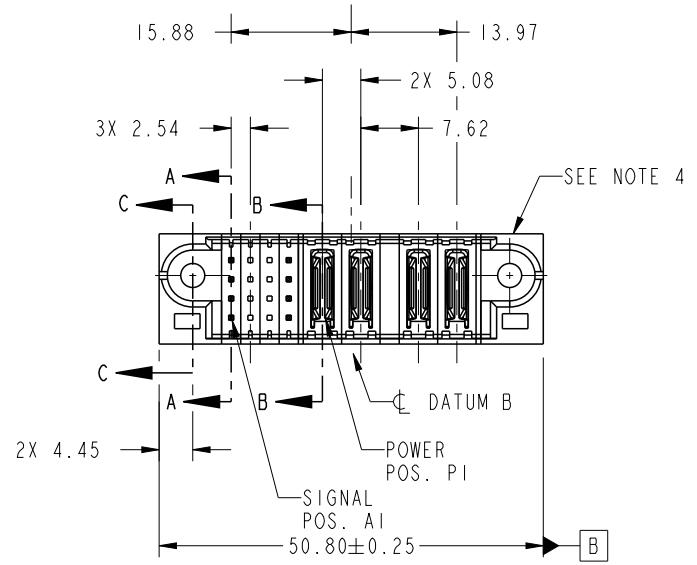


PRODUCT NO. 51952-211-- NOTE ③	ROWS DCBA	SIGNAL				POWER				E2	
		E1	1	2	3	4	P1	P2	P3		P4
		K	X	X	G	PC	PC	PC	PC		
		K	X	X	G						
		G	X	X	G						
		G	X	X	G						



CODE	DIM "M" MATING LENGTH	CONTACT TYPE
PC	[N/A]	POWER
G	[6.86]	SIGNAL
K	[5.59]	SIGNAL
HA	[N/A]	HOLD-DOWN
X	OMITTED	OMITTED

spec ref	See Notes		dr	Guang, Shi	2012/04/27	projection 	MM ←→	size	A4	scale	1:1	
tolerance std	TOLERANCES UNLESS OTHERWISE SPECIFIED		eng	Luo Weller	2012/09/20			product family	PwrBlade	ecn no	-	
See Notes			chr	-	-					rel level	Released	
surface	linear	0.X	±0.50		title	16S + 4P	dwg no	51952-211	rev	A		
		0.XX	±0.25									
	0.XXX	±0.10										
	angular	0°	±2°	www.fci.com	cat. no.	&model_name	Product - Customer Drw	sheet 1 of 4				

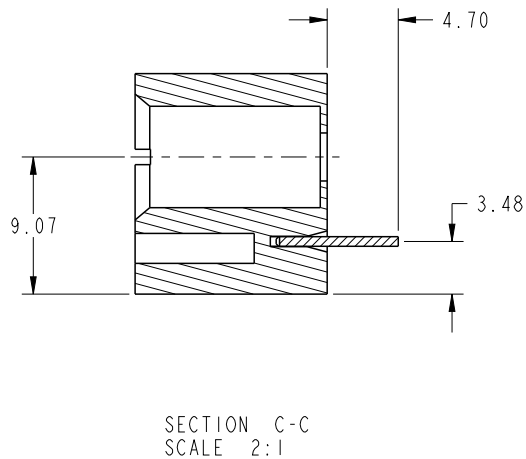
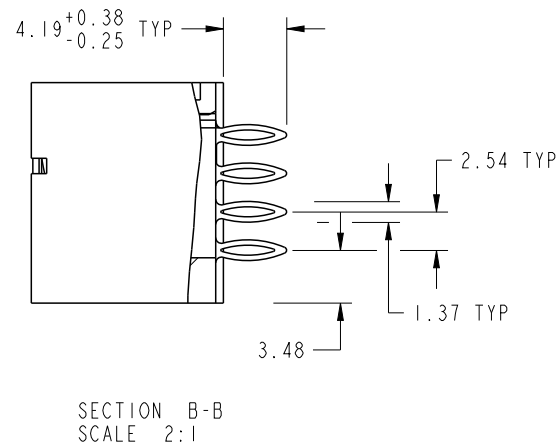
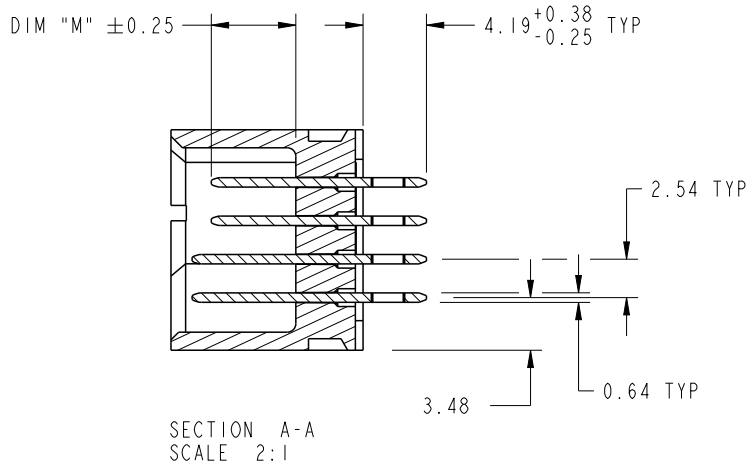
PrdE File - REV C - 2009-06-09



Copyright FCI.

PRODUCT NUMBER

51952-211--  
NOTE 3



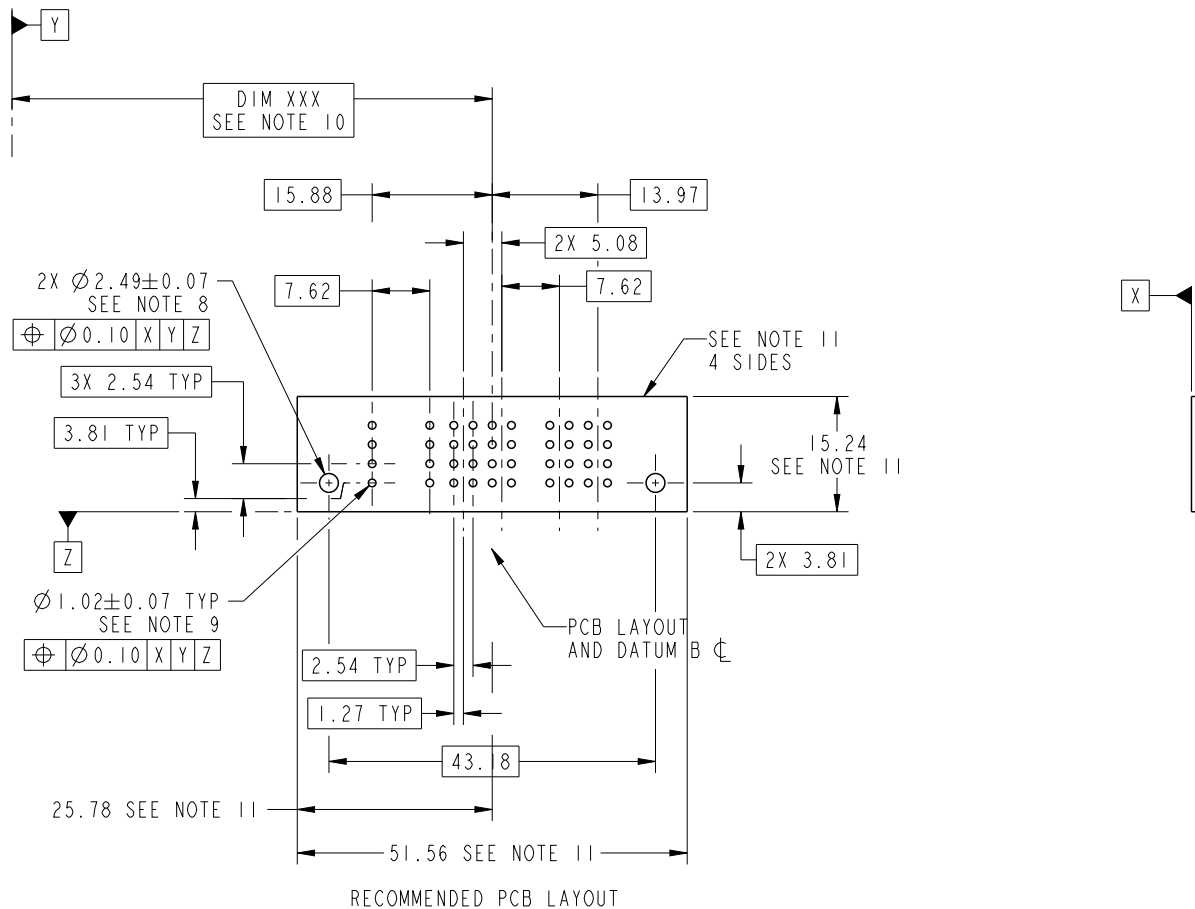
dr	Guang, Shi	2012/04/27	projection 	MM 	size	A4	scale	1:1
eng	Luo Weller	2012/09/20			ecn no	-		
chr	-	-			rel level	Released		
appr	Pei-Ming Zheng	2012/09/20	product family	PwrBlade				
		title 16S + 4P VERTICAL PRESS-FIT HEADER	dwg no 51952-211	rev A				
www.fci.com	cat. no.	&model_name	Product - Customer Drw	sheet 2 of 4				



Copyright FCI.

PRODUCT NUMBER

51952-211 --  
NOTE 3



dr	Guang, Shi	2012/04/27	projection 	MM 	size	A4	scale	1:1	
eng	Luo Weller	2012/09/20			ecn no	-			
chr	-	-			rel level	Released			
appr	Pei-Ming Zheng	2012/09/20	product family	PwrBlade					
		title	16S + 4P VERTICAL PRESS-FIT HEADER		dwg no	51952-211		rev	A
www.fci.com	cat. no.	&model_name	Product - Customer Drw		sheet 3 of 4				

PRODUCT NUMBER

51952-211\_\_  
NOTE 3

NOTES:

1. DIMENSIONS AND TOLERANCES ARE IN ACCORDANCE WITH ASME Y14.5M, 1994 UNLESS OTHERWISE SPECIFIED.

CONNECTOR NOTES:

- ② HOUSING MATERIAL: UL 94 V-0 GLASS FILLED HIGH-TEMP THERMOPLASTIC  
POWER CONTACT MATERIAL: COPPER ALLOY  
SIGNAL PIN MATERIAL: COPPER ALLOY
  - 3. SEE ITEM 3 & 4 IN PRINT 10064183 FOR PLATING SPEC OF 51952-211 AND 51952-211LF RESPECTIVELY.
  - ④ MANUFACTURER'S NAME, DATE CODE AND OPTIONAL P/N TO APPEAR ON THIS SURFACE. THE P/N CAN BE OMITTED IF THERE IS NOT ENOUGH SPACE ON THIS SURFACE.
  - 5. PRODUCT SPECIFICATION GS-12-149.  
APPLICATION SPECIFICATION BUS-20-067.
  - 6. PACKAGED IN TRAYS.
- PCB NOTES:
- 7. ALL HOLE DIAMETERS ARE FINISHED HOLE SIZE.
  - 8. MOUNTING HOLES, WHERE APPLICABLE, ARE UNPLATED.
  - ⑨  $\varnothing 1.151 \pm 0.025$  DRILLED HOLES PLATED WITH 0.008 MIN SnPb OR Sn OVER .001 [0.03] TO 0.08 Cu PLATING TO ACHIEVE  $\varnothing 1.02 \pm 0.07$  HOLE.
  - ⑩ "DIM XXX" TO BE DETERMINED BY THE CUSTOMER.
  - ⑪ CONNECTOR KEEP-OUT ZONE.
12. FOR PRESS FIT APPLICATION USE FCI CAM TOOL 430169-XXX.



Copyright FCI.

dr	Guang, Shi	2012/04/27	projection 	MM 	size	A4	scale	1:1	
eng	Luo Weller	2012/09/20			ecn no	-			
chr	-	-			product family	PwrBlade	rel level	Released	
appr	Pei-Ming Zheng	2012/09/20			title	16S + 4P		rev	A
www.fci.com		cat. no.	&model_name	Product - Customer Drw	sheet 4 of 4	dwg no	51952-211		