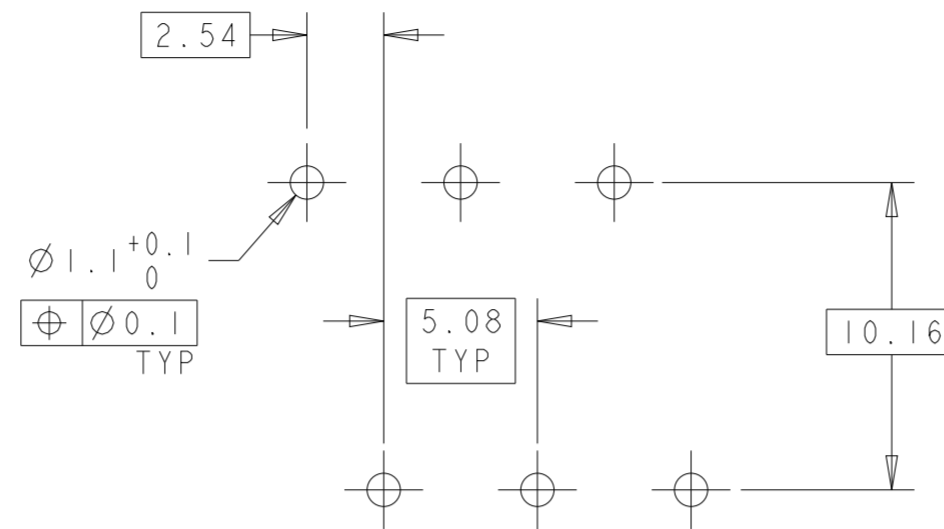
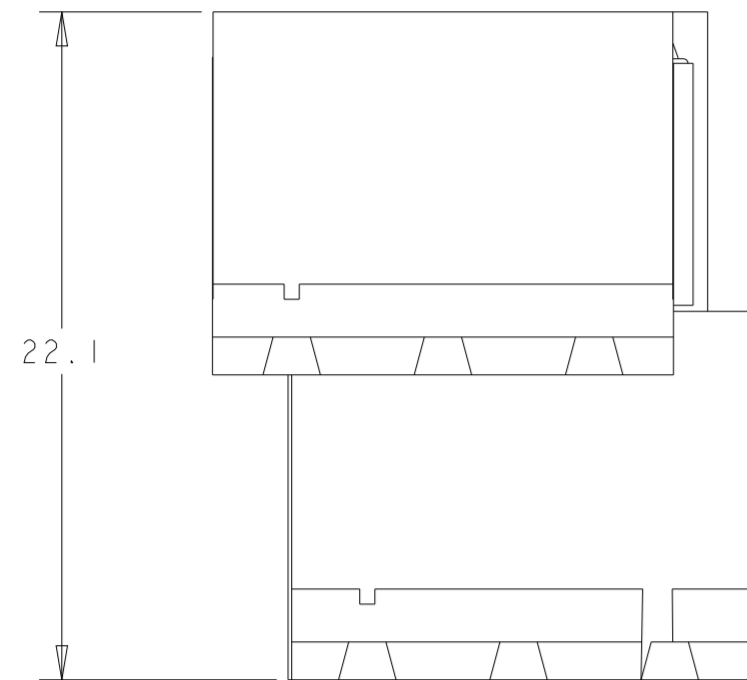
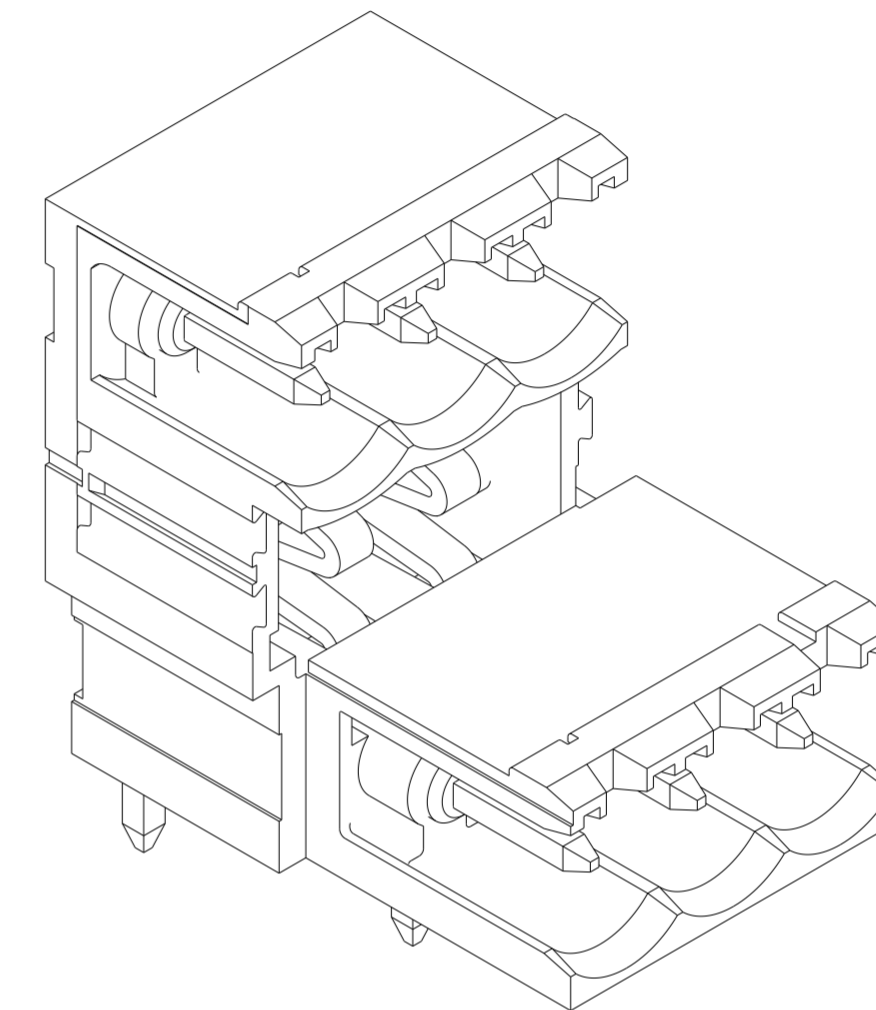


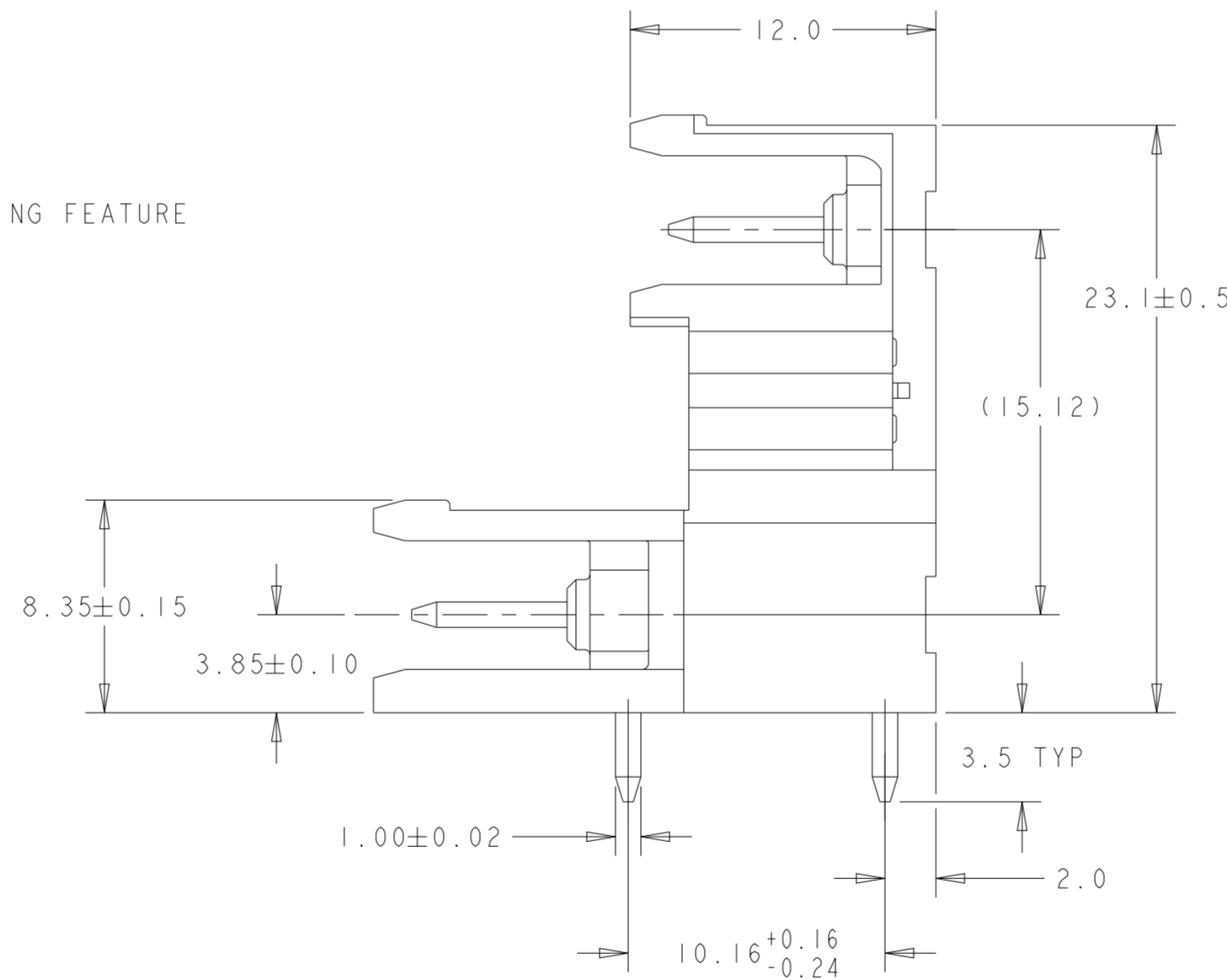
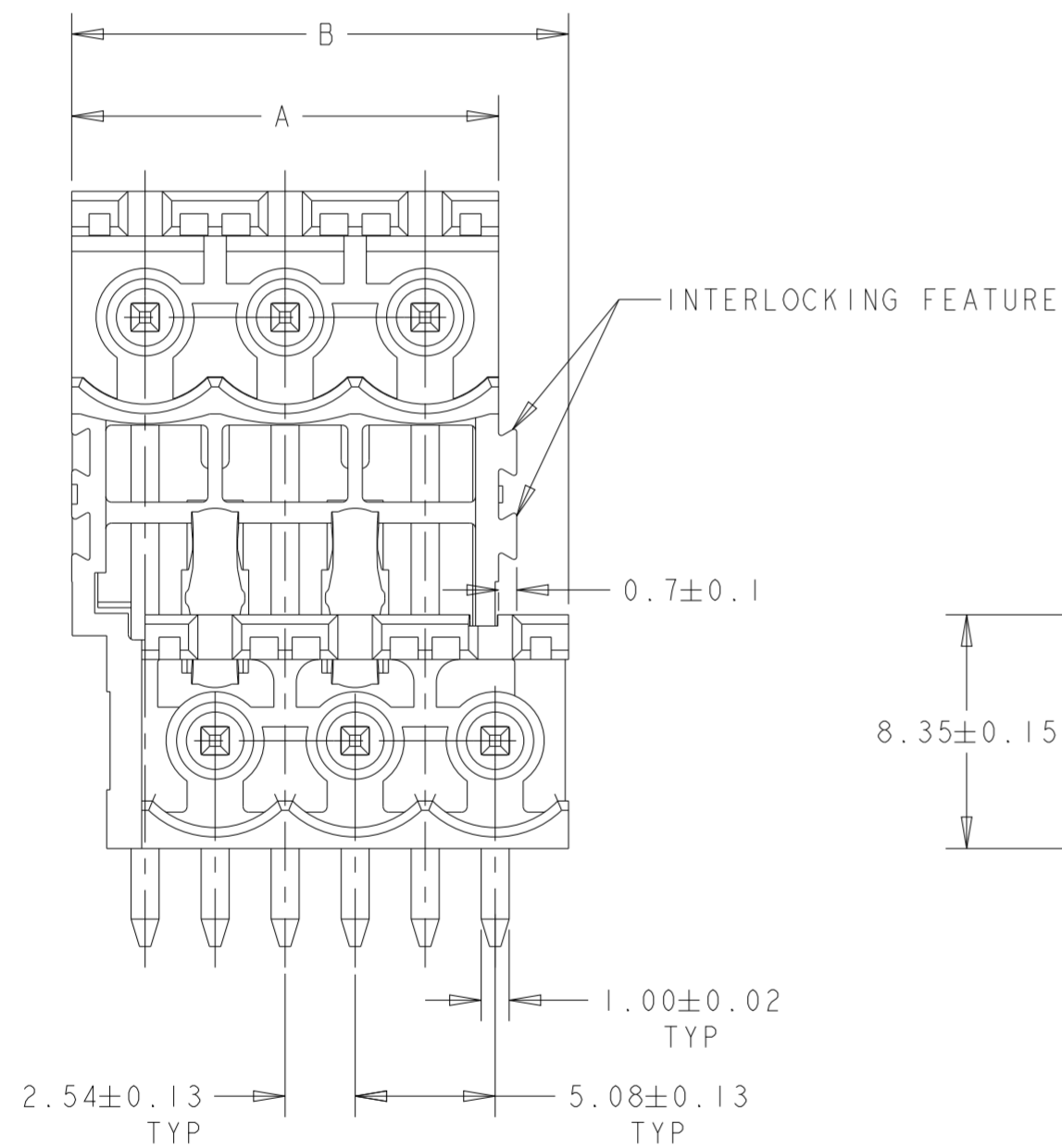
P	LTR	DESCRIPTION	DATE	DWN	APVD
G		DESIGN IMPROVEMENT IN NEW MOLD	12MAY2020	DV	PS
H		REVISED AS PER PCN: E-20-012940	12OCT2021	SCB	SS



RECOMMENDED PC BOARD LAYOUT



284053-3 AS SHOWN



SEE DETAIL G	71.12	60.96	12	2-284053-2	5
SEE DETAIL F	71.12	60.96	12	2-284053-1	5
SEE DETAIL E	71.12	60.96	12	2-284053-0	5
SEE DETAIL D	71.12	60.96	12	1-284053-9	5
SEE DETAIL C	71.12	60.96	12	1-284053-8	5
-	73.66	71.12	14	1-284053-4	
-	58.42	55.88	11	1-284053-1	
-	43.18	40.64	8	284053-8	5
-	33.02	30.48	6	284053-6	
-	27.94	25.40	5	284053-5	
-	17.78	15.24	3	284053-3	
-	12.70	10.16	2	284053-2	
MARKING	B	A	NO OF POSN	PART NUMBER	

1 MATERIALS AND FINISH  
 HOUSING: PA 6-6, UL 94-V0, COLOR GREEN.  
 TERMINAL: COPPER ALLOY, TIN PLATED.

- 2. SUITABLE FOR 1,6-2,4mm PC BOARD THICKNESS.
- 3. END-TO-END STACKABLE WITHOUT LOSS OF CENTERLINE SPACING.

4 INK MARKED WITH BLACK PERMANENT INK.

5 THIS PART NUMBER IS PRELIMINARY PRIOR TO CUSTOMER ORDER.  
 CONTACT PRODUCT ENGINEERING BEFORE USING THIS PART.

THIS DRAWING IS A CONTROLLED DOCUMENT.

DWN	S. WELDON	03JUN2003
CHK	C. RICHARD	03JUN2003
APVD	C. RICHARD	03JUN2003

TE Connectivity

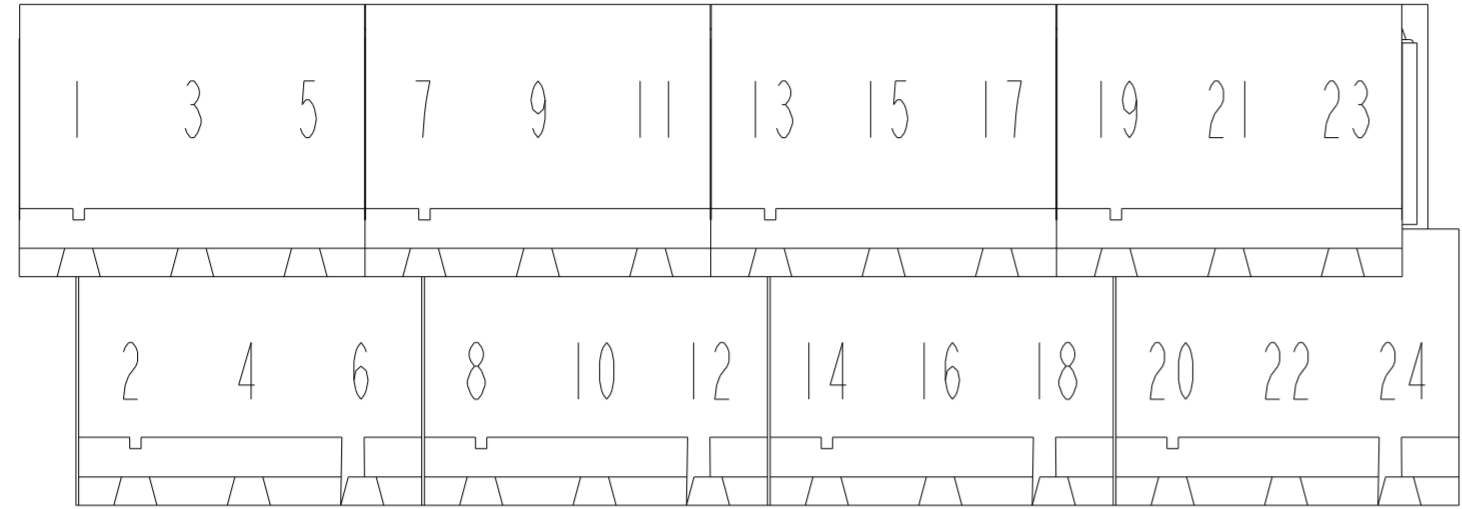
NAME: TERMINAL BLOCK, MULTIPLE HEADER ASSEMBLY, 90 DEGREE STACKING W/INTERLOCK, 5.08mm PITCH

SIZE: A2 CAGE CODE: 00779 DRAWING NO: C-284053 RESTRICTED TO: -

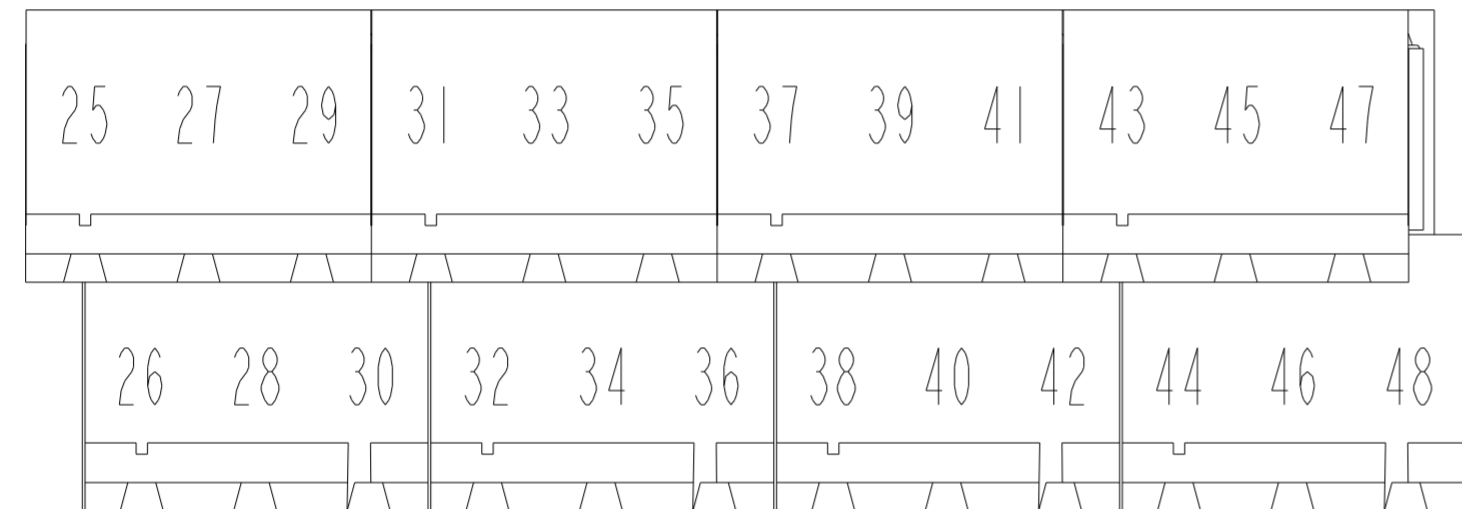
MATERIAL: TOLERANCES UNLESS OTHERWISE SPECIFIED: 0 PLC ±.3, 1 PLC ±.3, 2 PLC ±.25, 3 PLC ±.2, 4 PLC ±.2, ANGLES ±2, FINISH

CUSTOMER DRAWING SCALE: 4:1 SHEET 1 OF 2 REV H

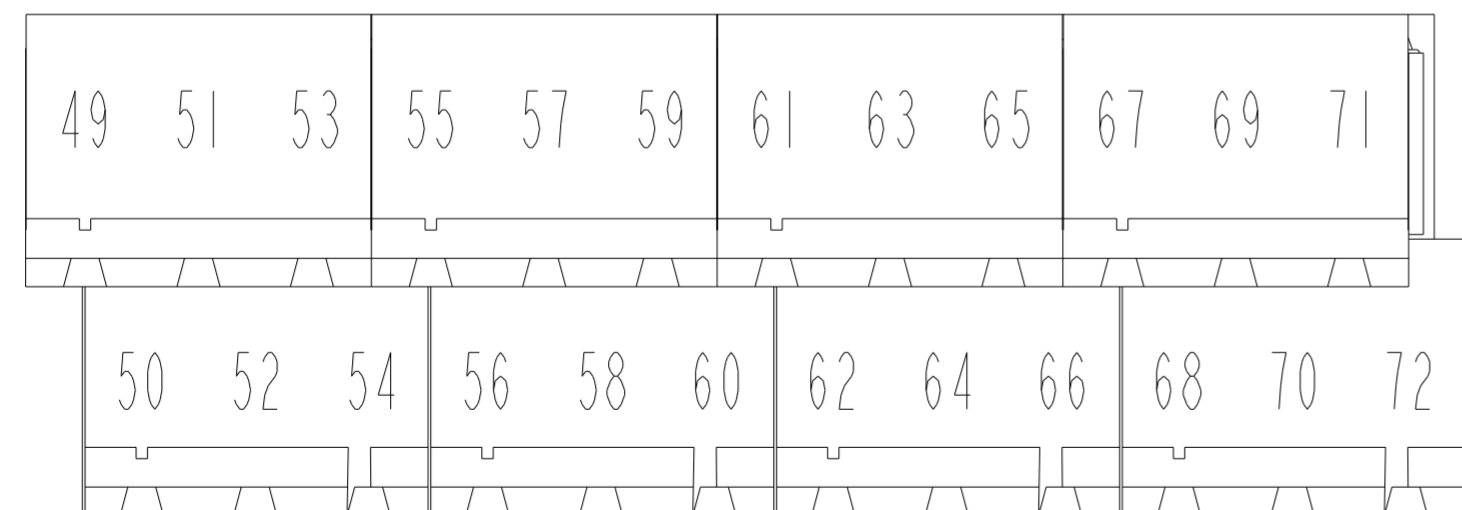
REVISIONS				
P	LTR	DESCRIPTION	DATE	APVD
-	-	SEE SHEET 1	-	-



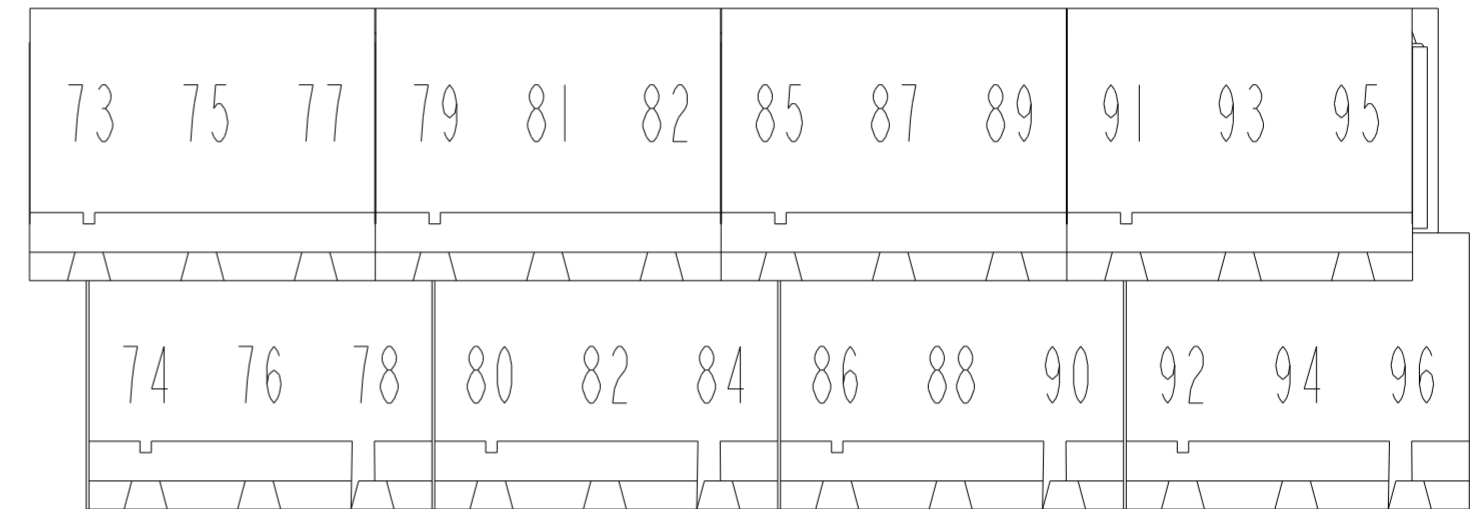
5  
DETAIL C  
SCALE 3:1



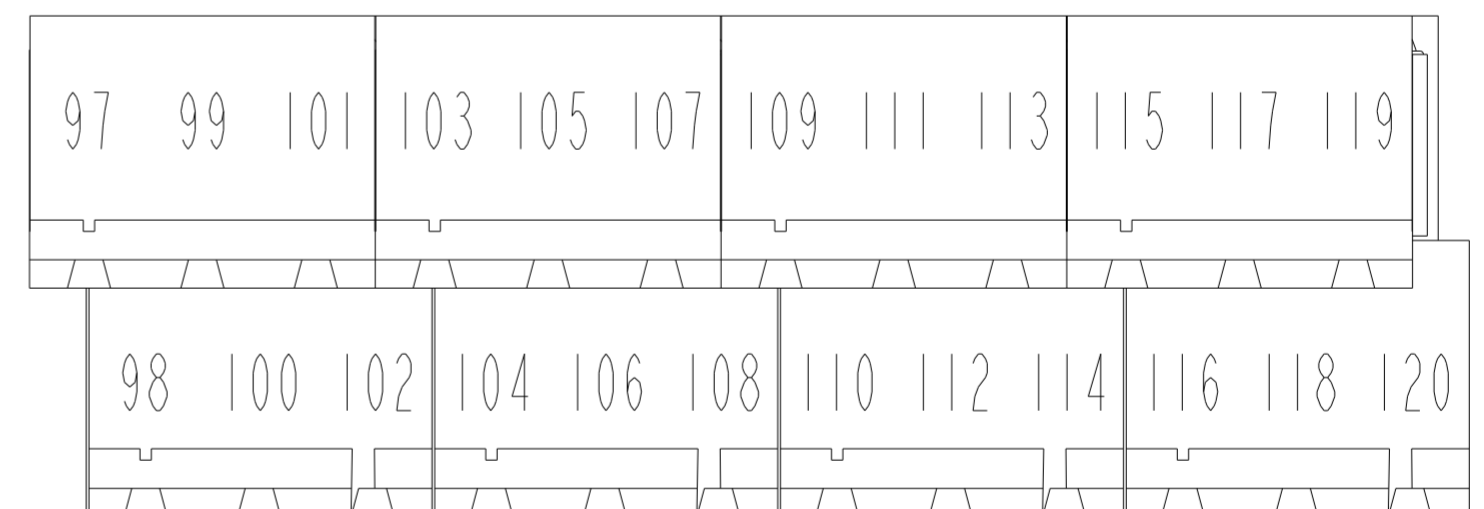
5  
DETAIL D  
SCALE 3:1




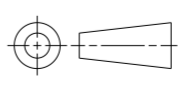
5  
DETAIL E  
SCALE 3:1



5  
DETAIL F  
SCALE 3:1



5  
DETAIL G  
SCALE 3:1

THIS DRAWING IS A CONTROLLED DOCUMENT.		DWN S. WELDON 03JUN2003	 TE Connectivity	
DIMENSIONS: mm		CHK C. RICHARD 03JUN2003		
TOLERANCES UNLESS OTHERWISE SPECIFIED:		APVD C. RICHARD 03JUN2003	NAME TERMINAL BLOCK, MULTIPLE HEADER ASSEMBLY, 90 DEGREE STACKING W/INTERLOCK, 5.08mm PITCH	
		PRODUCT SPEC -	SIZE 114-20079	CAGE CODE A200779
MATERIAL		APPLICATION SPEC -	DRAWING NO C-284053	RESTRICTED TO -
FINISH		WEIGHT -	SCALE 4:1	SHEET 2 OF 2
0 PLC ±- 1 PLC ±.3 2 PLC ±.25 3 PLC ±- 4 PLC ±- ANGLES ±2 FINISH		CUSTOMER DRAWING	REV H	