

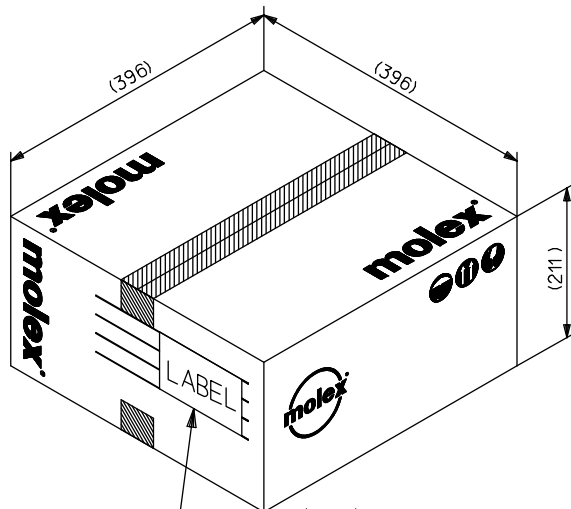
1. 製品名称／PRODUCT NAME : KK 2.5 WAFER ASS'Y WITH LOCK  
 製品番号／PART NUMBER : 5 0 4 5 - \* \* A G  
 ( \* \* は極数を示す)  
 ( \* \* IS CIRCUITS SIZE)

2. 標準梱包数／STANDARD PACKAGING QUANTITY

極 数 CKT. SIZE	ポリ袋 POLY BAG	外装カートン SHIPPING CARTON	
	1袋中の製品数 QUANTITY IN ONE BAG	ポリ袋の数 NUMBER OF POLY BAG	製品数 QUANTITY
2	500	60	30,000
3	500	40	20,000
4	500	40	20,000
5	500	20	10,000
6	500	20	10,000
7	500	20	10,000
8	500	16	8,000
9	100	60	6,000
10	100	60	6,000
11	100	50	5,000
12	100	50	5,000
15	100	40	4,000

REV.	A																			
SHEET	1~2																			
REVISE ON PC ONLY						TITLE:														
<b>A</b>	RELEASED J2013-0426 2012/10/12 T.NAKAGAWA					5 0 4 5 梱包仕様書 SALES PACKAGING SPEC. FOR 5045														
	THIS DOCUMENT CONTAINS INFORMATION THAT IS PROPRIETARY TO MOLEX INC. AND SHOULD NOT BE USED WITHOUT WRITTEN PERMISSION																			
REV.	DESCRIPTION																			
DESIGN CONTROL J				STATUS		WRITTEN BY: T.NAKAGAWA	CHECKED BY: T.HARUYAMA	APPROVED BY: H.HIRATA	DATE: YR/MO/DAY 2012/10/12											
DOCUMENT NUMBER <b>SPK-5045-002</b>												FILE NAME SPK5045002.doc	SHEET 1 OF 2							

3. カートン外形参考寸法 / CARTON OUTER DIMENSIONS (REFERENCE PURPOSE ONLY)



カートンラベル  
CARTON LABEL

(製品型番, 数量, ロットNO. 表示)  
INDICATION OF PART No., QUANTITY, LOT No.

外装カートン  
SHIPPING CARTON

	REVISE ON PC ONLY		TITLE:  5 0 4 5 梱包仕様書 SALES PACKAGING SPEC. FOR 5045
	<b>A</b>	SEE SHEET 1 OF 2	
REV.	DESCRIPTION		THIS DOCUMENT CONTAINS INFORMATION THAT IS PROPRIETARY TO MOLEX INC. AND SHOULD NOT BE USED WITHOUT WRITTEN PERMISSION
DOCUMENT NUMBER <b>SPK-5045-002</b>			FILE NAME SPK5045002.doc
			SHEET 2 OF 2