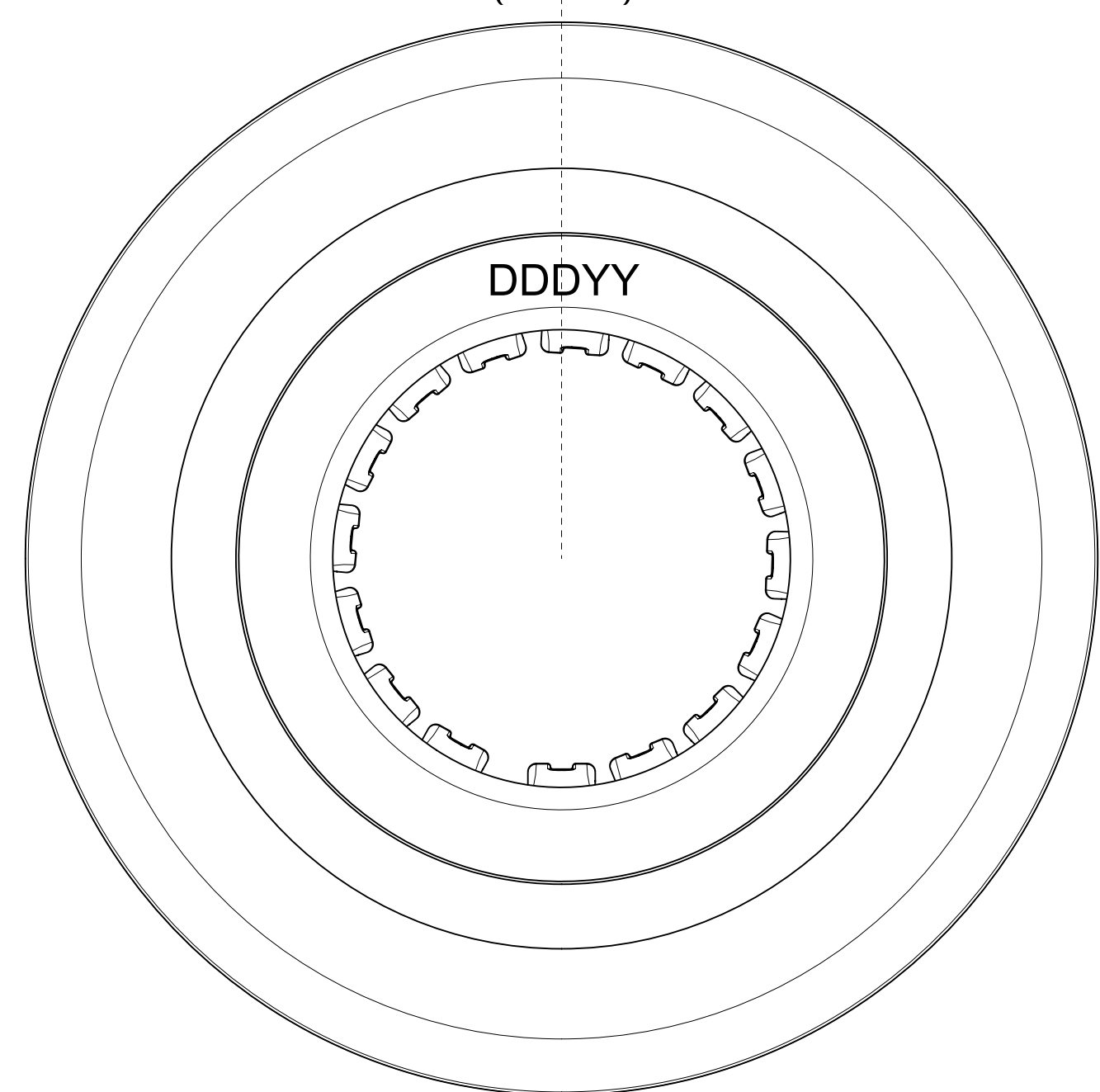
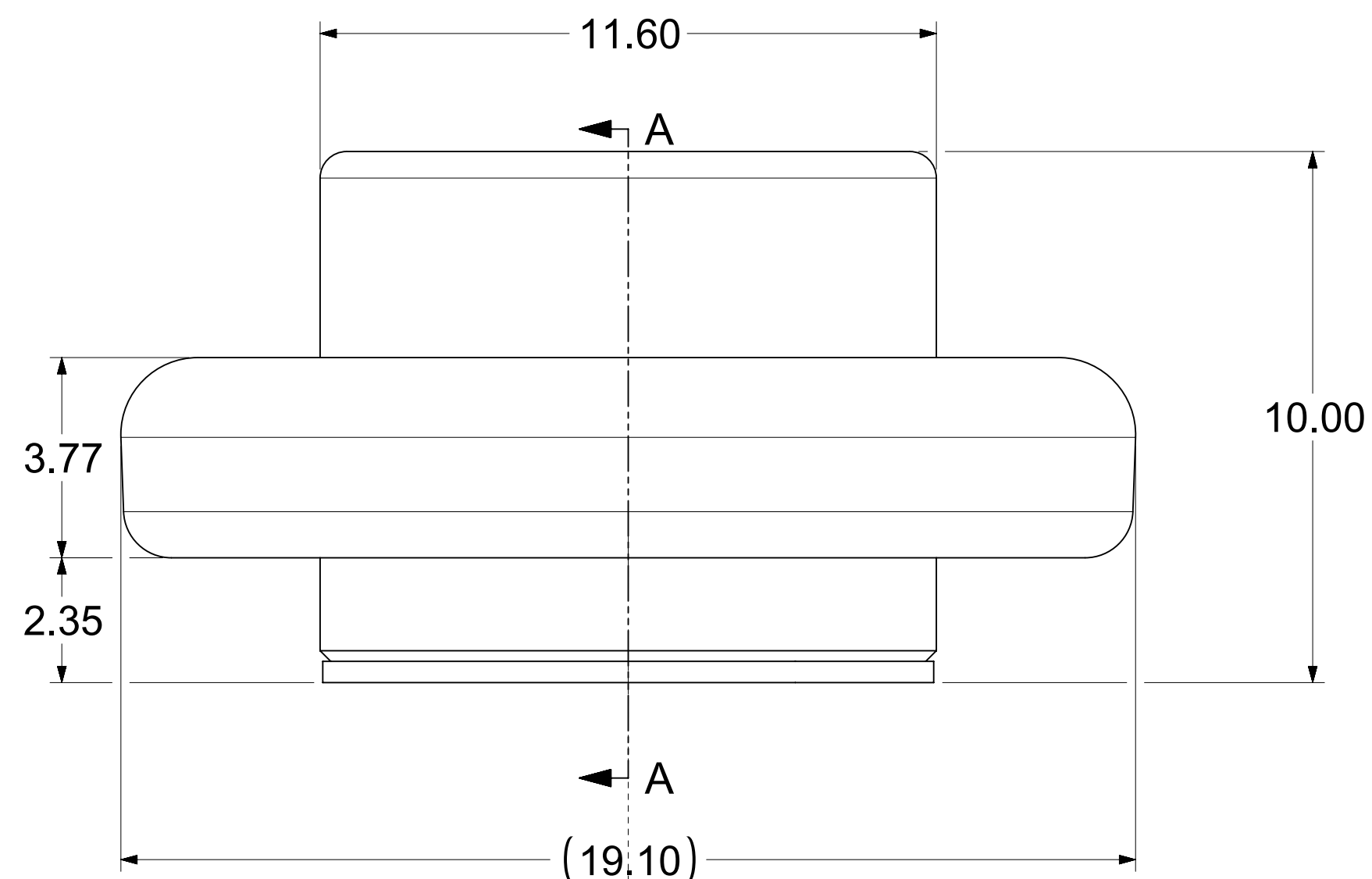
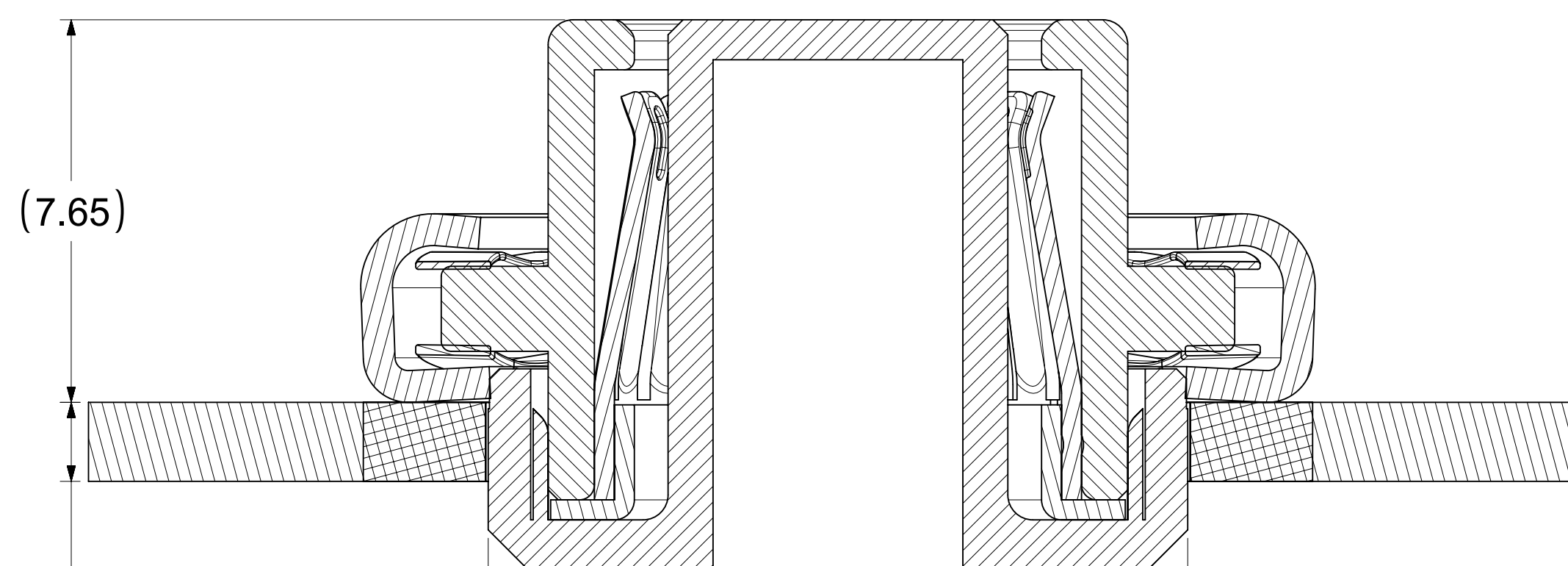
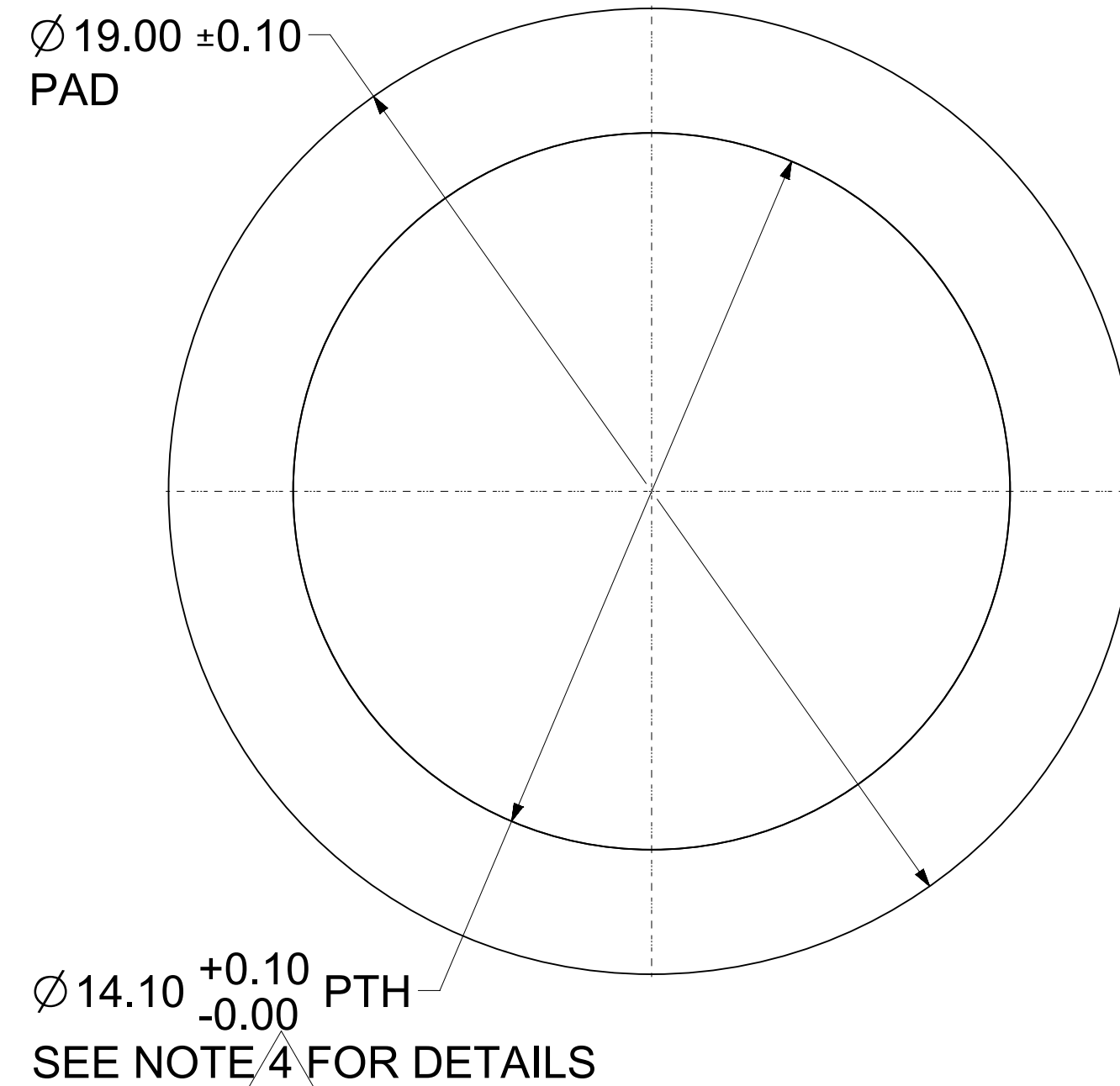


REMOVABLE  
PICK AND PLACE  
CAP SHOWN

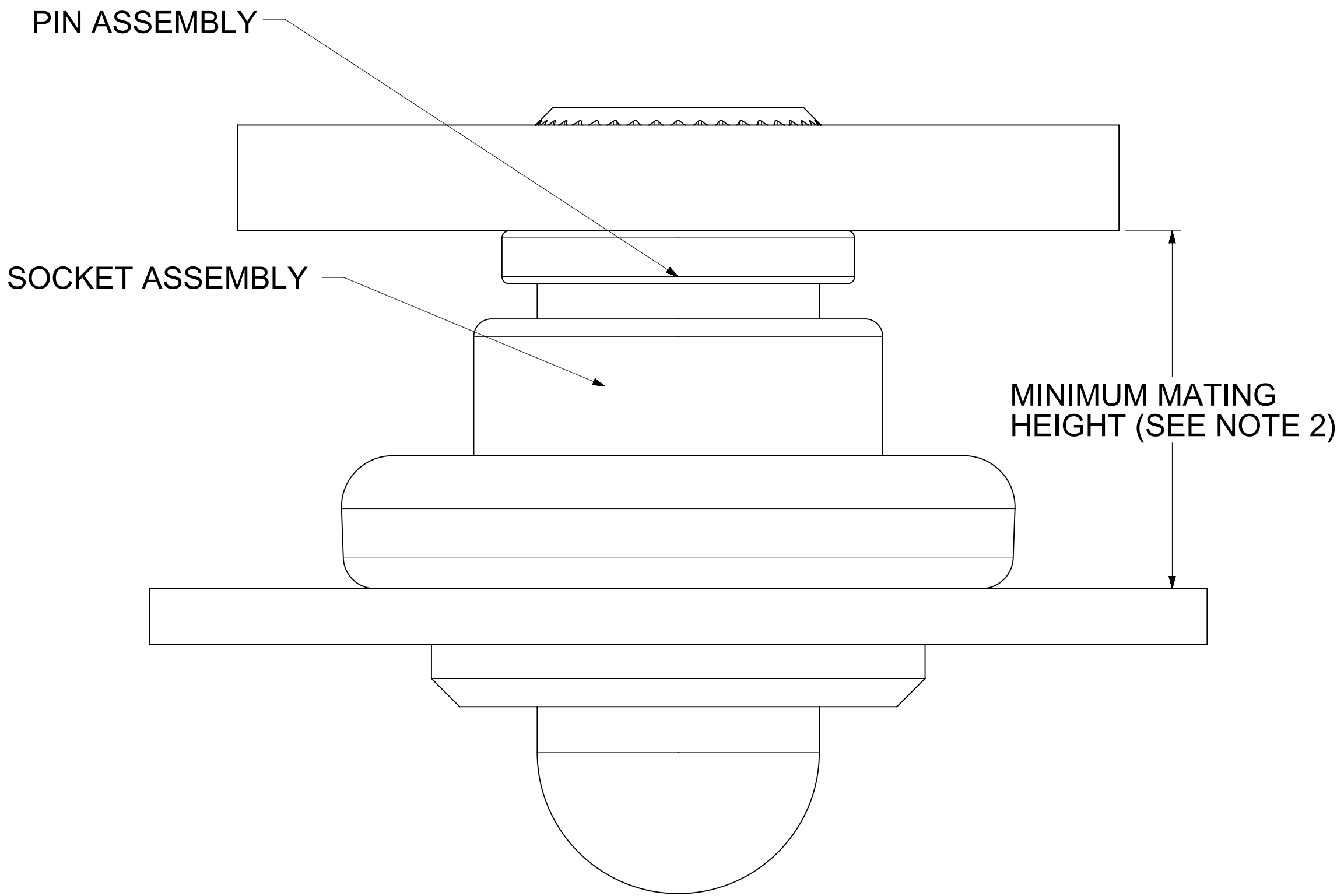


1.58 SHOWN  
(1.58MM MINIMUM  
RECOMMENDED  
PCB THICKNESS)

## RECOMMENDED PCB LAYOUT



SECTION A-A



MATING PROFILE

### NOTES:

1. MATERIALS:  
RETENTION CAP: STAINLESS STEEL  
PICK AND PLACE CAP: LCP UL94, V-0 COLOR BLACK  
BASE METAL: HIGH CONDUCTIVE COPPER ALLOY  
PLATING ON CONTACTS: 0.75 MICRON MIN GOLD OVER 1.27 MICRON MIN NICKEL  
PLATING ON BODY: 3.18 MICRON MIN SILVER OVER 1.27 MICRON MIN NICKEL
2. MATES WITH THE STANDARD PIN DRAWINGS:  
i. 8.0MM SMT DRAWING 2032633080-SD, MIN. MATING DISTANCE 9.8MM  
ii. 8.0MM PRESS FIT DRAWING 2032630001-SD, MIN. MATING DISTANCE 10.15MM  
iii. 8.0MM SCREW MOUNT DRAWING 2032634185-SD, MIN. MATING DISTANCE 13.15MM
3. PRODUCT SPECIFICATION: 2043130001-PS
4. APPLICATION SPECIFICATION: 2043130001-AS
5. PACKAGING SPECIFICATION: 2121950012-PK
6. SILVER COMPONENTS WILL BE SUPPLIED TARNISH FREE BUT MAY TARNISH OVER TIME.
7. PICK AND PLACE CAP TO BE REMOVED AFTER SOLDERING. CAP TO BE PUSHED OUT OF BOTTOM FROM THE TOP.
8. DATE CODE TO BE LASER MARKED APPROXIMATELY WHERE SHOWN USING DDYY FORMAT

THIS DRAWING CONTAINS INFORMATION THAT IS PROPRIETARY TO MOLEX ELECTRONIC TECHNOLOGIES, LLC AND SHOULD NOT BE USED WITHOUT WRITTEN PERMISSION

DIMENSION UNITS	SCALE	CURRENT REV DESC: UPDATED THE TITLE BLOCK	
mm	5:1		
GENERAL TOLERANCES (UNLESS SPECIFIED)			
ANGULAR TOL	± 0.5°		
4 PLACES	±	EC NO: 747243	
3 PLACES	±	DRWN: SACHIK7	2023/02/28
2 PLACES	± 0.15	CHK'D: SCS02	2023/04/25
1 PLACE	± 0.25	APPR: HTHYAGARAJ	2023/04/26
0 PLACES	±	INITIAL REVISION:	
DRAFT WHERE APPLICABLE MUST REMAIN WITHIN DIMENSIONS		DRWN: RLOW	2019/07/15
		APPR: BPISZCZOR	2019/11/13
THIRD ANGLE PROJECTION	DRAWING	SERIES	MATERIAL NUMBER
	D-SIZE	212195	2121950012
		CUSTOMER	SHEET NUMBER
		GENERAL MARKET	1 OF 1

**molex**

8.0MM SENTRALITY TOP ENTRY SMT  
SOCKET WITH FLOAT IN T&R

PRODUCT CUSTOMER DRAWING

DOCUMENT NUMBER DOC TYPE DOC PART REVISION

2121950012-SD PSD 000 A4