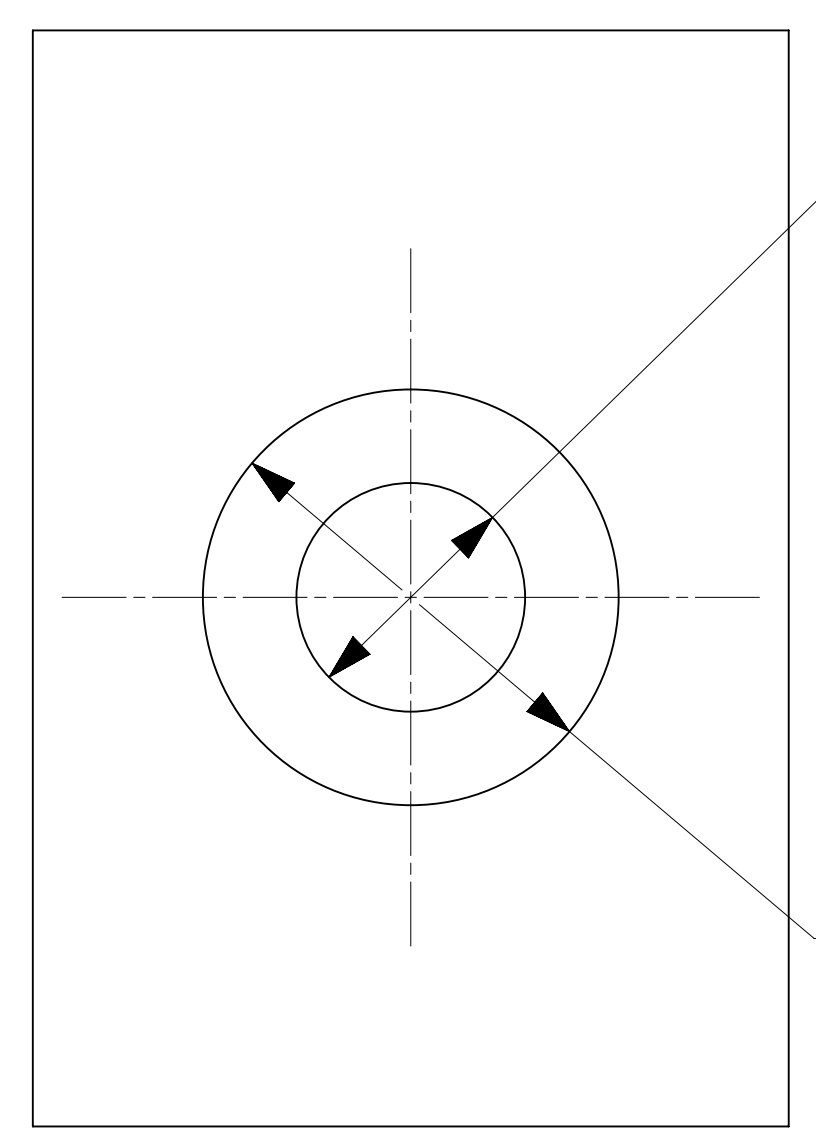
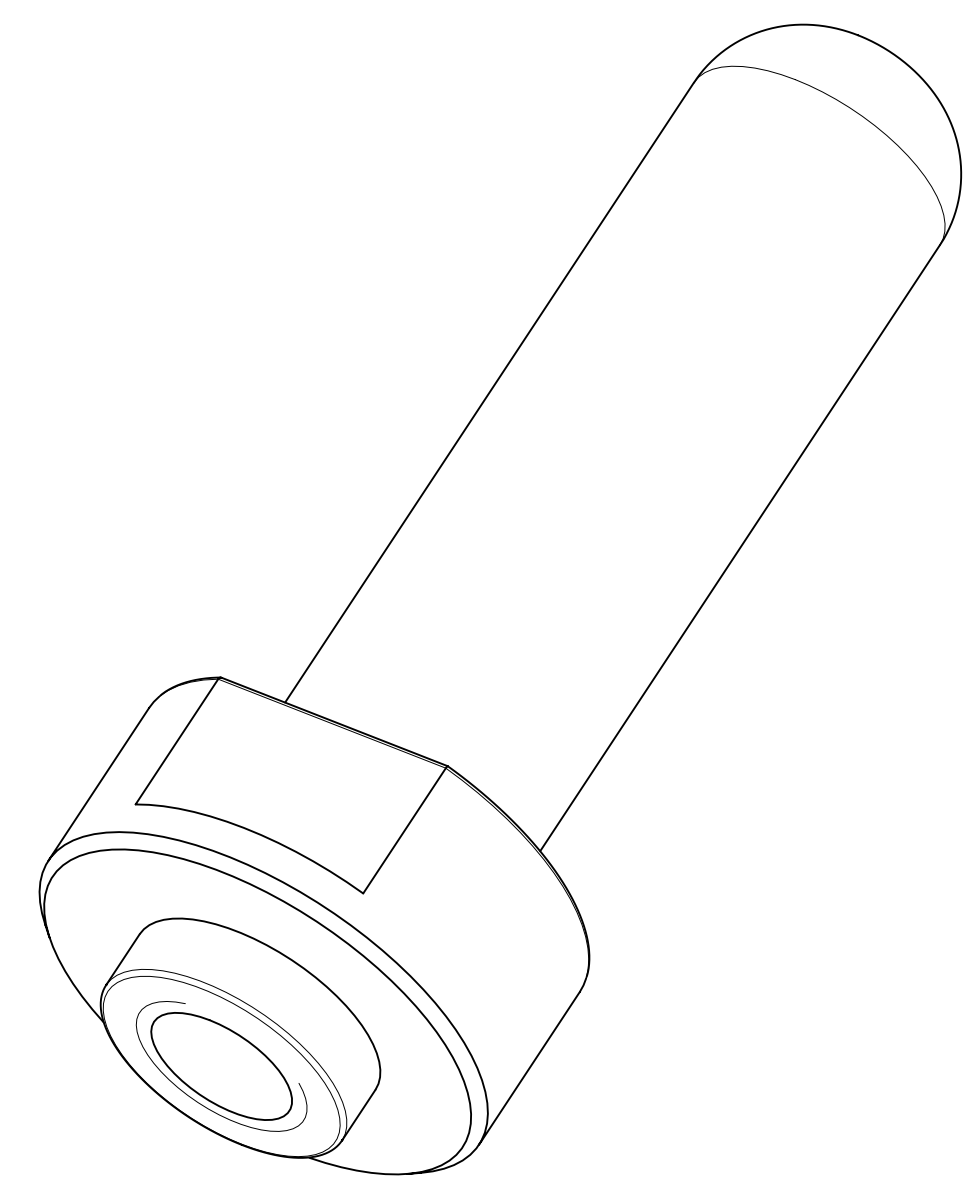


SECTION A-A

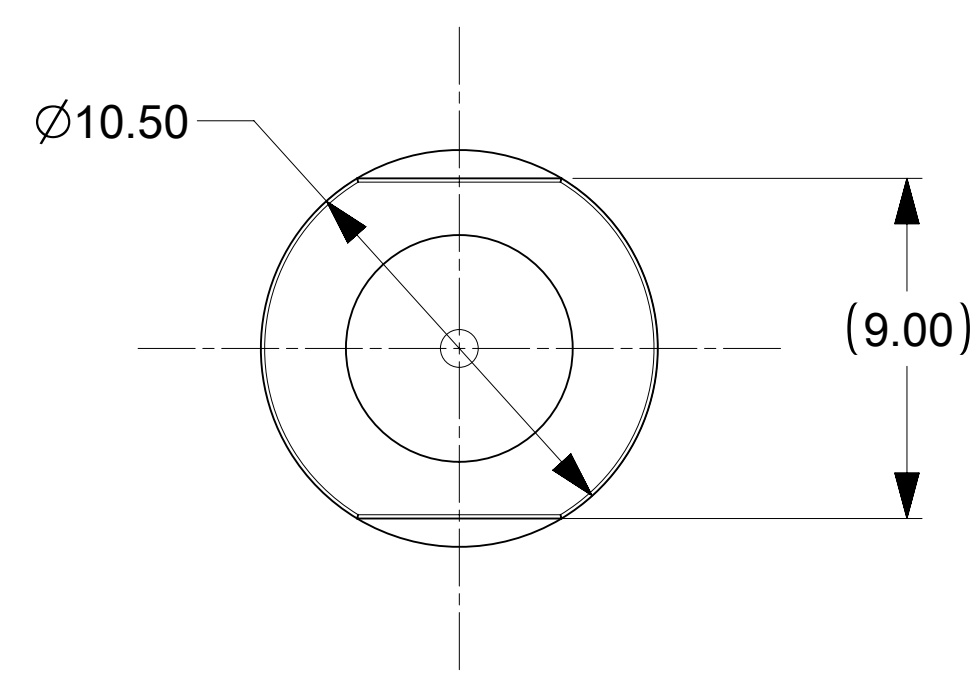
MINIMUM BOARD THICKNESS IS 1.75MM



RECOMMENDED PCB LAYOUT

Ø6.05 ±0.05 PTH.5
SUGGESTED DRILL HOLE SIZE: Ø6.15MM

Ø11.00 PAD 2X
TOP AND BOTTOM OF BOARD



NOTES:

1. MATERIALS:
BASE METAL: HIGH CONDUCTIVE COPPER ALLOY
PLATING ON BODY: 3.18 MICRON MIN SILVER OVER 1.27 MICRON MIN NICKEL
2. PRODUCT SPECIFICATION: 2043130006-PS
3. APPLICATION SPECIFICATION: 2043130006-AS
4. PACKAGING SPECIFICATION: 2032630006-PK
5. SILVER COMPONENTS WILL BE SUPPLIED TARNISH FREE BUT MAY TARNISH OVER TIME.
6. PART MOUNTED WITH CONDUCTIVE M4 SCREW AND CONDUCTIVE BELLEVILLE WASHER FOR OPTIMAL PERFORMANCE
7. SCREW LENGTH TO BE DETERMINED BY CUSTOMER, SCREWS AND WASHERS ARE NOT SUPPLIED BY MOLEX.

PART NUMBER	DIMENSION "L"
2032636085	18.52
2032636185	25.52
2032636285	20.92
2032636385	30.92
2032636485	29.42
2032636585	23.77
2032636685	40.00
2032636785	51.52
2032636885	45.50

A5

FUNCTIONAL SYMBOLS FA = 0 FC = 0 FP = 0	THIS DRAWING CONTAINS INFORMATION THAT IS PROPRIETARY TO MOLEX ELECTRONIC TECHNOLOGIES, LLC AND SHOULD NOT BE USED WITHOUT WRITTEN PERMISSION	SCALE 5:1	CURRENT REV DESC: BLEED HOLE REMOVED		
	DIMENSION UNITS mm	GENERAL TOLERANCES (UNLESS SPECIFIED)			
DIVISIONAL SYMBOLS	ANGULAR TOL ± 0.5°	EC NO: 642847		2020/08/04	
	4 PLACES ±	DRWN: CHETAB		2020/08/05	
DRAFT WHERE APPLICABLE MUST REMAIN WITHIN DIMENSIONS	3 PLACES ±	CHK'D: GJEEVANSURES		2020/08/05	
	2 PLACES ± 0.15	APPR: HTHYAGARAJ		2020/08/05	
	1 PLACE ± 0.25	INITIAL REVISION:		2018/10/10	
THIRD ANGLE PROJECTION	0 PLACES ±	DRWN: JJONIAK		2019/03/22	
	DRAWING SERIES D-SIZE 203263		MATERIAL NUMBER		CUSTOMER
SHEET NUMBER		DOCUMENT NUMBER		DOC TYPE	DOC PART
1 OF 1		2032636185-SD		PSD	000 B
SEE TABLE		GENERAL MARKET			

molex

6MM CST SCREW MOUNTED MALE TERMINAL

PRODUCT CUSTOMER DRAWING